

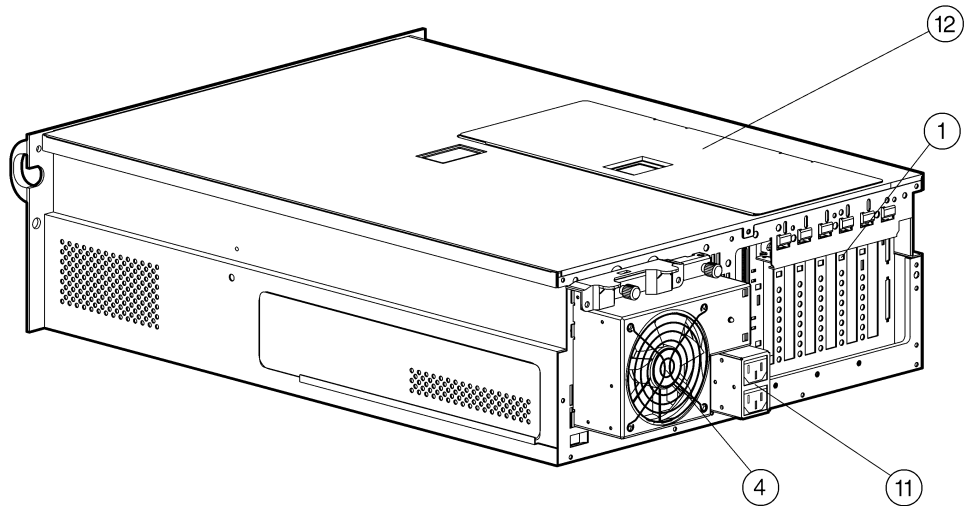
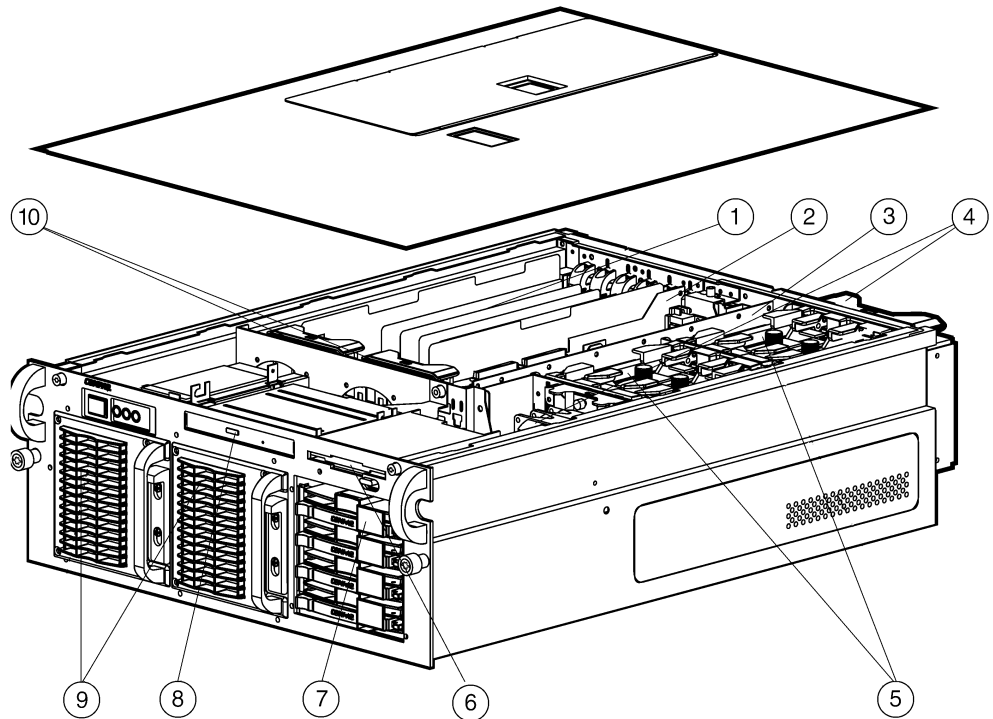
Overview

What's New

- Intel Pentium® III Xeon™ 550 MHz Processor (quad processor capability)
- Hot plug redundant fan design provides 7x24 cooling across your entire system

At A Glance

- Ideal combination of 4-way computing power and density that best fits space constrained data center environments
- Innovative, space saving 4U (7") rack-optimized design
- Supports one to four Intel Pentium III Xeon 550 MHz or 500 MHz processors with 512-KB, 1-MB, or 2-MB L2 Cache
- ECC protected buffered EDO DIMM memory, (4 GB Maximum)
- Six 64-bit slots (five PCI Hot Plug and one shared PCI/ISA)
- Compaq NC3131 Fast Ethernet NIC 64 PCI Dual Base 10/100 upgradable to 1 Gigabit
- Internal Hot Plug Drive Storage of up to 145.6 GB with 36.4-GB 1" Wide Ultra3 hard drives
- Standard Wide Ultra2/Ultra3 Drive Cage
- Uncompromising reliability features:
 - Industry-Standard PCI Hot Plug with push button functionality
 - Redundant hot plug system fans
 - Optional redundant hot plug power supplies (standard on 2-MB models)
 - Optional redundant power processor modules (standard on 2-MB models)
 - ASR-2 and Online Recovery Server Option
 - Integrated Remote Console (IRC)
- Diagnostic interlocks for enhanced serviceability
- Toolless internal design for easy access to system components
- Protected by Compaq Services, including a limited three-year parts, labor and on-site warranty with optional four hour response. Pre-Failure Warranty and Compaq Service and Support Programs available on a Worldwide basis — Certain restrictions and exclusions apply. Consult the Compaq Customer Support Center at 1-800-345-1518 for details..



1. Six 64-bit I/O Slots (Five PCI Hot Plug and one shared PCI/ISA)
2. Peripheral Board
3. Memory Board
4. Redundant Hot Plug System Fans
5. Processors and Processor Power Modules
6. 1.44-MB Diskette Drive
7. Wide Ultra2/Ultra3 Drive Cage (4 x 1")
8. High Speed IDE CD-ROM
9. Hot Plug Power Supplies (two shown in graphics above – only one ships standard)
10. Additional Fans
11. Hot Plug Power Supply Connectors (Primary and Redundant)
12. PCI Hot Plug Access Door

Standard Features

Processor	Intel Pentium III Xeon processor 550 MHz	
	<i>One of the following</i> Intel Pentium III Xeon processor 500 MHz	
Cache Memory	2-MB level 2 writeback cache per processor standard	
	1-MB level 2 writeback cache per processor standard	
	512-KB level 2 writeback cache per processor standard	
Upgradability	Upgradable to quad processing	
	Support for future processor upgrades	
Memory	Standard	1024 MB
	Maximum	4 GB
	Standard	256 MB
	Maximum	4 GB
Network Controller	Compaq NC3131 Fast Ethernet NIC 64 PCI Dual Base 10/100	
Expansion Slots	I/O (Total)	6, 5 available
	64-bit PCI Hot Plug	5, 4 available
	64-bit PCI/ISA	1, 1 available
Storage Controller	Integrated Dual Channel Wide-Ultra SCSI-3 Adapter	
Storage	Diskette Drives	1.44 MB
	CD-ROM	High Speed IDE CD-ROM Drive (slim line)
	Hard Drives	None
	Maximum Internal Storage	145.6 GB (internal hot plug drive cage) (4 x 36.4-GB 1")
Interfaces	Parallel	1
	Serial	1
	Pointing Device (Mouse)	1
	Graphics	1
	Hot Plug Keyboard	1
	Network RJ-45	2
Graphics	Integrated 1280 x 1024, 256 color on PCI local bus, 2-MB video memory	
Form Factor	Rack (4U), ships with sliding rails and cable management	
Compaq Software	Compaq <i>Insight Manager</i> [™]	The comprehensive system management tool that monitors the operation of Compaq servers, workstations and clients
	Compaq <i>SmartStart</i> [™]	The server configuration and software integration tool from Compaq
	Array Configuration Utility (ACU) with Smart Array Controllers	Same easy to use yet powerful graphical user interface (GUI) configuration utility and easy to navigate wizards for all Smart Array Controllers

Standard Features

Manageability	<p>Compaq Insight Manager Compaq Insight Manager XE Integrated Remote Console-IRC (with an internal modem) Integrated Management Log (IML) Server Health logging Automatic Server Recovery-2 (ASR-2) Recovery Server Option Off-Line Backup Processor capability PCI Hot Plug with push button functionality Redundant Hot Plug System Fans</p> <p>Note: PL6400R 6/550 MHz models feature Compaq's newest hot plug redundant fan design that provides 7x24 cooling across all the major sub-system components of the server. Instead of a single, hot plug fan in the rear of the server, PL6400R 6/550 MHz models now feature a dual rear fan assembly. Beginning Q1,00, ProLiant 6400R 500 MHz models will ship standard with the same hot plug redundant rear fan assembly currently featured on the 550 MHz model (see "Overview" illustration.) Previously, the 500 MHz models shipped with a single, hot plug rear fan. The change benefits the customer in two ways:</p> <ul style="list-style-type: none">• Both PL6400R models (500 MHz and 550 MHz) now feature Compaq's hot plug redundant fan design which provides 7 x 24 cooling across all the major sub-system components of your server.• Component commonality is improved between the two models, which can help reduce the cost of spare parts inventory. <p>ProLiant 6400R 500 MHz servers manufactured prior to Q100 and configured with the single hot plug rear fan meet all thermal requirements. However, customers wishing to achieve 7 x 24 cooling on their existing base of PL6400R 500 MHz servers are encouraged to purchase the Hot Plug Redundant Fan Kit (P/N 157984-B21.)</p> <p>As a final note, be assured that all ProLiant 6400R 500 MHz servers, regardless of rear fan assembly version, will work seamlessly together within a rack environment.</p> <p>Dynamic sector repairing and drive parameter tracking (with Smart Array controllers) Redundant Processor Power Modules (optional) Redundant / adaptive load balancing NIC Support Redundant Hot Plug Power Supplies (optional) Pre-Failure Warranty (covers processors, as well as hard drives and memory)</p>
Security	<p>Power-on password Hot plug keyboard password Diskette drive control Diskette boot control Network Server Mode Security Provision Parallel and serial interface control Administrator's password Disk configuration lock Hot plug access security</p>
Power Supply	<p>450-Watt Hot Plug Power Supply (optional Redundant Hot Plug Power Supply)</p>
Required Cabling	<p>For required cabling information, refer to the Compaq website at http://www.compaq.com/products/servers/proliant6400r. Note: This web site is available in English only.</p>

Standard Features

OS Support

Microsoft Windows NT Server
Microsoft Windows 2000
Novell NetWare
SCO OpenServer
SCO UnixWare
IBM OS/2 Warp Family
LINUX (RedHat, S.U.S.E., TurboLinux Server, Caldera eServer)
Sun Solaris Intel Platform Edition
Banyan VINES

Note: For a more complete and up-to-date listing of supported OS's and versions, please visit our OS Support Matrix at: <ftp://ftp.compaq.com/pub/products/servers/os-support-matrix-310.pdf>.

Note: For an up-to-date listing of the latest drivers available for the Compaq ProLiant 6400R, please see: <http://www.compaq.com/support/files/server/us/index.html>

Service and Support

Compaq Services provides a wide range of service offerings, including a three-year, limited warranty fully supported by a worldwide network of resellers and service providers, lifetime toll-free 7 x 24 hardware technical phone support and Pre-Failure Warranty coverage of hard drives, memory and processors. Disaster recovery services are available through partnership with Comdisco.

Note: Certain restrictions and exclusions apply. Consult the Compaq Customer Support Center at 1-800-345-1518 for details.

Standard Features

6/550-2MB Model 2-1024 <i>388394-xx3</i> (Includes Redundant PPMs and second Power Supply.)	Processor(s)	(2) Intel Pentium III 550 MHz
	Cache Memory	2-MB Level 2 writeback
	Memory	1024 MB (Standard) to 4 GB (Maximum)
	Network Controller	Compaq NC3131 Fast Ethernet NIC 64 PCI Dual Base 10/100
	Storage Controller	Integrated Dual Channel Wide-Ultra SCSI-3 Adapter
	Hard Drive	None
	Internal Storage	145.6 GB max
	Optical Drive	High Speed IDE CD-ROM Drive
	Form Factor	Rack 4U

6/550-1MB Model 2-256 <i>388393-xx3</i>	Processor(s)	(2) Intel Pentium III 550 MHz
	Cache Memory	1-MB Level 2 writeback
	Memory	256 MB (Standard) to 4 GB (Maximum)
	Network Controller	Compaq NC3131 Fast Ethernet NIC 64 PCI Dual Base 10/100
	Storage Controller	Integrated Dual Channel Wide-Ultra SCSI-3 Adapter
	Hard Drive	None
	Optical Drive	High Speed IDE CD-ROM Drive
	Form Factor	Rack 4U

6/550-512KB Model 1-256 <i>400092-xx3</i>	Processor(s)	(1) Intel Pentium III 550 MHz
	Cache Memory	512-KB Level 2 writeback
	Memory	256 MB (Standard) to 4 GB (Maximum)
	Network Controller	Compaq NC3131 Fast Ethernet NIC 64 PCI Dual Base 10/100
	Storage Controller	Integrated Dual Channel Wide-Ultra SCSI-3 Adapter
	Hard Drive	None
	Internal Storage	145.6 GB max
	Optical Drive	High Speed IDE CD-ROM Drive
Form Factor	Rack 4U	

6/500-2MB Model 2-1024 <i>388394-xx2</i> (Includes Redundant PPMs and second Power Supply.)	Processor(s)	(2) Intel Pentium III 500 MHz
	Cache Memory	2-MB Level 2 writeback
	Memory	1024 MB (Standard) to 4 GB (Maximum)
	Network Controller	Compaq NC3131 Fast Ethernet NIC 64 PCI Dual Base 10/100
	Storage Controller	Integrated Dual Channel Wide-Ultra SCSI-3 Adapter
	Hard Drive	None
	Internal Storage	145.6 GB max
	Optical Drive	High Speed IDE CD-ROM Drive
	Form Factor	Rack 4U

Standard Features

6/500-1MB Model 2-256 <i>388393-xx2</i>	Processor(s)	(2) Intel Pentium III 500 MHz
	Cache Memory	1-MB Level 2 writeback
	Memory	256 MB (Standard) to 4 GB (Maximum)
	Network Controller	Compaq NC3131 Fast Ethernet NIC 64 PCI Dual Base 10/100
	Storage Controller	Integrated Dual Channel Wide-Ultra SCSI-3 Adapter
	Hard Drive	None
	Internal Storage	145.6 GB max
	Optical Drive	High Speed IDE CD-ROM Drive
Form Factor	Rack 4U	

6/500-512KB Model 1-256 <i>400092-xx2</i>	Processor(s)	(1) Intel Pentium III 500 MHz
	Cache Memory	512-KB Level 2 writeback
	Memory	256 MB (Standard) to 4 GB (Maximum)
	Network Controller	Compaq NC3131 Fast Ethernet NIC 64 PCI Dual Base 10/100
	Storage Controller	Integrated Dual Channel Wide-Ultra SCSI-3 Adapter
	Hard Drive	None
	Internal Storage	145.6 GB max
	Optical Drive	High Speed IDE CD-ROM Drive
Form Factor	Rack 4U	

Country Code Key	XX=00	US
	XX=02	EMEA
	XX=29	Japan
	XX=37	APD
	XX=AA	PRC

Options

ProLiant 6400R Unique Options	Compaq Hot Plug Redundant System Fan Option Kit	157984-B21
	<p>When upgrading earlier versions of the Pentium III Xeon 500 MHz models (those shipped prior to and during Q1,00 and equipped with a single, hot plug rear fan) to use Pentium III Xeon 550 MHz processors, you are required to install the Hot Plug Redundant System Fan Kit (P/N 157984-B21) to ensure proper operation of your system. Install the fan kit prior to or at the time of upgrading the processors in order to protect your server from the demanding thermal environment created by the increasing power of the newest processor technology. Failure to purchase and install this option kit may void the warranty or potentially damage the server. In addition to ensuring the proper operation of your server, installation of the kit provides the added benefit of providing fan redundancy across all the major subsystem components (I/O, memory, and CPUs) of your server.</p>	
	Compaq Hot Plug Redundant Power Supply Option Kit (U.S.)	105739-001
	<p>(The Compaq ProLiant 6400R ships standard with one hot plug power supply in bay one. For redundancy, a purchase of one Compaq Hot Plug Redundant Power Supply Option Kit (105739-xx1) is required and can be installed in bay two.)</p>	
	Compaq Hot Plug Redundant Power Supply Option Kit (Australia)	105739-011
	<p>(The Compaq ProLiant 6400R ships standard with one hot plug power supply in bay one. For redundancy, a purchase of one Compaq Hot Plug Redundant Power Supply Option Kit (105739-xx1) is required and can be installed in bay two.)</p>	
	Compaq Hot Plug Redundant Power Supply Option Kit (Int'l)	105739-021
	<p>(The Compaq ProLiant 6400R ships standard with one hot plug power supply in bay one. For redundancy, a purchase of one Compaq Hot Plug Redundant Power Supply Option Kit (105739-xx1) is required and can be installed in bay two.)</p>	
Compaq Hot Plug Redundant Power Supply Option Kit (Japan)	105739-291	
<p>(The Compaq ProLiant 6400R ships standard with one hot plug power supply in bay one. For redundancy, a purchase of one Compaq Hot Plug Redundant Power Supply Option Kit (105739-xx1) is required and can be installed in bay two.)</p>		
Compaq Redundant Power Processor Module Option Kit	105738-B21	
Compaq High Voltage PDU Right Angled Cable Kit (IEC14)	142257-005	
<p>(For use with Compaq High-Voltage PDUs, this is a 15-Amp power cord with a right angle connector on the side that plugs into the ProLiant 6400R server. The right angle connection at the server improves cable management at the rear of the server.)</p>		
Processor	<i>Non-redundant power processor module</i>	
	Pentium III Xeon 6/550 2-MB Processor Option Kit	155224-B21
	<p>Note: This processor option kit (PN 155224-B21) supports the ProLiant 6400R and ProLiant 5500 servers.</p>	
	Pentium III Xeon 6/550 1-MB Processor Option Kit	155223-B21
	<p>Note: This processor option kit (PN 155223-B21) supports the ProLiant 6400R and ProLiant 5500 servers.</p>	
	Pentium III Xeon 6/550 512K Processor Option Kit	155222-B21
	<p>Note: This processor option kit (PN 155222-B21) supports the ProLiant 6400R and ProLiant 5500 servers</p>	
	Pentium III Xeon 6/500 2-MB Processor Option Kit	117812-B21
<p>Note: This processor option kit (PN 117812-B21) supports the ProLiant 6400R and ProLiant 5500 servers.</p>		
Pentium III Xeon 6/500 1-MB Processor Option Kit	117811-B21	
<p>Note: This processor option kit (PN 117811-B21) supports the ProLiant 6400R and ProLiant 5500 servers.</p>		
Pentium III Xeon 6/500 512K Processor Option Kit	117810-B21	
<p>Note: This processor option kit (PN 117810-B21) supports the ProLiant 6400R and ProLiant 5500 servers.</p>		

Options

Processor (continued)	Redundant power processor module	
	Pentium III Xeon 6/550 2-MB Processor Option Kit	154714-B21
	Pentium III Xeon 6/550 1-MB Processor Option Kit	154713-B21
	Pentium III Xeon 6/550 512K Processor Option Kit	154712-B21
	Pentium III Xeon 6/500 2-MB Processor Option Kit	117649-B21
	Pentium III Xeon 6/500 1-MB Processor Option Kit	117648-B21
	Pentium III Xeon 6/500 512K Processor Option Kit	117647-B21
<p>Note: The increasing power of new high-performance processor technology requires increased cooling efficiency for rack-mounted servers. The new Compaq Rack 9000 series (part numbers 120663-xx1 (42U), 120664-xx1 (36U), 120665-xx1 (22U)) provides enhanced airflow for maximum cooling, allowing these racks to be fully loaded with servers using the latest processors.</p> <p>When installing a server with Pentium III Xeon processors running at speeds of 550 MHz or greater in Compaq Rack 7000 series racks (part numbers 165753-xx1 (42U), and 163747-xx1 (22U)), the new processor technology requires the installation of Compaq's new High Airflow Rack Door Insert, part number 327281-B21 (42U) or 157847-B21 (22U).</p>		
<p>Note: The increasing power of new high-performance processor technology requires increased cooling efficiency for rack-mounted servers. The new Compaq Rack 9000 series (part numbers 120663-xx1 (42U), 120664-xx1 (36U), 120665-xx1 (22U)) provides enhanced airflow for maximum cooling, allowing these racks to be fully loaded with servers using the latest processors.</p> <p>When installing a server with Pentium III Xeon processors running at speeds of 550 MHz or greater in Compaq Rack 7000 series racks (part numbers 165753-xx1 (42U), and 163747-xx1 (22U)), the new processor technology requires the installation of Compaq's new High Airflow Rack Door Insert, part number 327281-B21 (42U) or 157847-B21 (22U).</p>		
Memory (DIMMs)	50ns EDO	
	1024-MB EDO Memory Expansion Kit (4 x 256-MB buffered EDO DIMMs, 50ns)	328583-B21
	512-MB EDO Memory Expansion Kit (4 x 128-MB buffered EDO DIMMs, 50ns)	328582-B21
	256-MB EDO Memory Expansion Kit (4 x 64-MB buffered EDO DIMMs, 50ns)	328581-B21
	60ns EDO	
	1024-MB EDO Memory Expansion Kit (4 x 256-MB buffered EDO DIMMs, 60ns)	241774-B21
512-MB EDO Memory Expansion Kit (4 x 128-MB buffered EDO DIMMs, 60ns)	241773-B21	
Hard Drives	Wide Ultra3 SCSI – Universal Hot Plug	
	36.4-GB Wide Ultra3 SCSI 10,000 rpm Drive (1")	176496-B22
	18.2-GB Wide Ultra3 SCSI 10,000 rpm Drive (1")	142673-B22
	9.1-GB Wide Ultra3 SCSI 10,000 rpm Drive (1")	142671-B22
	18.2-GB Wide Ultra3 SCSI 15,000 rpm Drive (1")	188122-B22
	9.1-GB Wide Ultra3 SCSI 15,000 rpm Drive (1")	188120-B22
	<p>Note: In order to store data at Wide Ultra3 SCSI speeds (160MB/sec), customers need three components:</p> <ul style="list-style-type: none"> Wide Ultra3 SCSI Adapter or Array Controller Wide Ultra3 SCSI Hard Drives Wide Ultra3 SCSI capable cable or server backplane <p>The ProLiant 6400R 500 MHz and 550 MHz Models are not configured with an Ultra3 SCSI capable cable. Therefore, customers are encouraged to purchase and install the Internal Ultra3 Cable Option Kit, HP (PN 166390-B21) when upgrading their server to use Wide Ultra3 SCSI Adapters, Array Controllers, and hard drives.</p>	
	Wide Ultra2 SCSI – Universal Hot Plug	
	18.2-GB Wide Ultra2 SCSI Drive (1")	388144-B22
	9.1-GB Wide Ultra2 SCSI Drive (1")	123065-B22

Options

Storage Controllers	Smart Array 431 Controller	127695-B21
	Smart Array 431 Controller (Japan)	127695-291
	Smart Array 3200 Controller	295643-B21
	Smart Array 3200 Controller (Japan)	295643-291
	Smart Array 4200 Controller	295636-B21
	Smart Array 4200 Controller (Japan)	295636-291
	Smart Array 5302/32 Controller	166207-B21
	Smart Array 5302/32 Controller (Japan)	166207-291
	Smart Array 5302/64 Controller	124992-B21
	Smart Array 5302/64 Controller (Japan)	124992-291
	Smart Array 5304/128 Controller	158939-B21
	Smart Array 5304/128 Controller (Japan)	158939-291
	Ultra3 Channel Expansion Module for Smart Array 5300 Controller	153507-B21
	64-bit/66-MHz Dual Channel Wide Ultra3 SCSI Adapter (The 64-bit/66-MHz Dual Channel Wide Ultra3 SCSI Adapter (129803-xx1) will default to Wide Ultra2 when not used with the Wide Ultra3 hard drives.)	129803-B21
	64-bit/66-MHz Dual Channel Wide Ultra3 SCSI Adapter (Japan) (The 64-bit/66-MHz Dual Channel Wide Ultra3 SCSI Adapter (129803-xx1) will default to Wide Ultra2 when not used with the Wide Ultra3 hard drives.)	129803-291
	64-bit/66-MHz Single Channel Wide Ultra3 SCSI Adapter (The 64-bit/66-MHz Single Channel Wide Ultra3 SCSI Adapter (154457-xx1) will default to Wide Ultra2 when not used with the Wide Ultra3 hard drives.)	154457-B21
64-bit/66-MHz Single Channel Wide Ultra3 SCSI Adapter (Japan) (The 64-bit/66-MHz Single Channel Wide Ultra3 SCSI Adapter (154457-xx1) will default to Wide Ultra2 when not used with the Wide Ultra3 hard drives.)	154457-291	
<p>Note: In order to store data at Wide Ultra3 SCSI speeds (160MB/sec), customers need three components: Wide Ultra3 SCSI Adapter or Array Controller Wide Ultra3 SCSI Hard Drives Wide Ultra3 SCSI capable cable or server backplane The ProLiant 6400R 500 MHz and 550 MHz Models are not configured with an Ultra3 SCSI capable cable. Therefore, customers are encouraged to purchase and install the Internal Ultra3 Cable Option Kit, HP (PN 166390-B21) when upgrading their server to use Wide Ultra3 SCSI Adapters, Array Controllers, and hard drives.</p>		
Communications	Compaq NC3123 Fast Ethernet NIC PCI 10/100 WOL	174830-B21
	Compaq NC3122 Fast Ethernet NIC PCI Dual 10/100	317450-B21
	Compaq NC3131 Fast Ethernet NIC 64 PCI Dual Base 10/100	338456-B21
	Compaq NC3132 Fast Ethernet Module Dual 10/100 Upgrade Module for NC3131	338456-B22
	Compaq NC6132 Gigabit Module 1000 SX Upgrade Module for NC3131	338456-B23
	Compaq NC6133 Gigabit Module 1000 LX Upgrade Module for NC3131	338456-B24
	Compaq NC3133 Fast Ethernet Module 100 FX Upgrade Module for NC3131	338456-B25
	Compaq NC6134 Gigabit NIC 64 PCI 1000 SX	174818-B21
	Compaq NC4621 Token Ring NIC PCI 4/16 WOL	379956-B21
	ServerNet PCI Adapter	309833-B22
	4M Cable	309834-B23
	30M Cable	309834-B22
	ServerNet II PCI Adapter Card Kit	174736-B21
	ServerNet II 12-Port Copper Serial Switch Kit (US)	174739-001
	ServerNet II 12-Port Copper Serial Switch Kit (Int'l)	174739-B31
	ServerNet II 5-meter Copper Serial Cable Kit	174737-B21
ServerNet II 10-meter Copper Serial Cable Kit	174738-B22	

Options

Redundant Options	Compaq Hot Plug Redundant System Fan Option Kit When upgrading earlier versions of the Pentium III Xeon 500 MHz models (those shipped prior to and during Q1,00 and equipped with a single, hot plug rear fan) to use Pentium III Xeon 550 MHz processors, you are required to install the Hot Plug Redundant System Fan Kit (P/N 157984-B21) to ensure proper operation of your system. Install the fan kit prior to or at the time of upgrading the processors in order to protect your server from the demanding thermal environment created by the increasing power of the newest processor technology. Failure to purchase and install this option kit may void the warranty or potentially damage the server. In addition to ensuring the proper operation of your server, installation of the kit provides the added benefit of providing fan redundancy across all the major subsystem components (I/O, memory, and CPUs) of your server.	157984-B21
	Compaq Hot Plug Redundant Power Supply Option Kit (U.S.) (The Compaq ProLiant 6400R ships standard with one hot plug power supply in bay one. For redundancy, a purchase of one Compaq Hot Plug Redundant Power Supply Option Kit (105739-xx1) is required and can be installed in bay two.)	105739-001
	Compaq Hot Plug Redundant Power Supply Option Kit (Australia) (The Compaq ProLiant 6400R ships standard with one hot plug power supply in bay one. For redundancy, a purchase of one Compaq Hot Plug Redundant Power Supply Option Kit (105739-xx1) is required and can be installed in bay two.)	105739-011
	Compaq Hot Plug Redundant Power Supply Option Kit (Int'l) (The Compaq ProLiant 6400R ships standard with one hot plug power supply in bay one. For redundancy, a purchase of one Compaq Hot Plug Redundant Power Supply Option Kit (105739-xx1) is required and can be installed in bay two.)	105739-021
	Compaq Hot Plug Redundant Power Supply Option Kit (Japan) (The Compaq ProLiant 6400R ships standard with one hot plug power supply in bay one. For redundancy, a purchase of one Compaq Hot Plug Redundant Power Supply Option Kit (105739-xx1) is required and can be installed in bay two.)	105739-291
	Compaq Redundant Power Processor Module Option Kit	105738-B21
Management Options	Compaq Remote Insight Lights-Out Edition (NA, LA) (The ProLiant 6400R 500 MHz and 550 MHz Models do not currently support the Virtual Power Button feature of the Compaq Remote Insight Lights-Out Edition board (157866-xx1.) Next generation ProLiant DL580 servers will ship standard with the Virtual Power Button capability.)	157866-001
	Compaq Remote Insight Lights-Out Edition (EURO) (The ProLiant 6400R 500 MHz and 550 MHz Models do not currently support the Virtual Power Button feature of the Compaq Remote Insight Lights-Out Edition board (157866-xx1.) Next generation ProLiant DL580 servers will ship standard with the Virtual Power Button capability.)	157866-021
	Compaq Remote Insight Lights-Out Edition (APD, Japan) (The ProLiant 6400R 500 MHz and 550 MHz Models do not currently support the Virtual Power Button feature of the Compaq Remote Insight Lights-Out Edition board (157866-xx1.) Next generation ProLiant DL580 servers will ship standard with the Virtual Power Button capability.)	157866-371
	Compaq Remote Insight (PCI) LAN + NA Modem	294013-002
	Compaq Remote Insight (PCI) LAN + NA Modem (PAN EURO)	294013-B32
	Compaq Remote Insight Board (PCI) LAN/Serial without modem	294013-B24
	Compaq Remote Insight Board (PCI) LAN/Serial without modem (Japan)	294013-294
	Compaq Remote Insight Board (PCI) LAN only	294013-B25
	Compaq Remote Insight Board (PCI) LAN only (Japan)	294013-295

Options

Monitors	TFT5010 15" Flat Panel Monitor (Opal)	104741-xxx
	TFT5010 15" Flat Panel Monitor (Carbon)	154486-xxx
	TFT5005 15" Flat Panel Monitor (Opal)	201431-xxx
	TFT5005 15" Flat Panel Monitor (Carbon)	201430-xxx
	TFT5000R Flat Panel Monitor (NA)	120207-001
	TFT5000R Flat Panel Monitor (Int'l)	120207-B31
	TFT5000R Flat Panel Monitor (Japan)	120207-291
	P710 Color Monitor	210189-xxx
	V710 Color Monitor	187895-xxx
	V500 Color Monitor	325900-xxx
	S710 Color Monitor	168636-xxx
	S510 Color Monitor	152991-xxx

CRT Country Code Key

NORTH AMERICA (NA) / LATIN AMERICA (LA)

Dash #	Description
-001	NA Kit with US Power Cord
-002	Carbon model with US Power Cord
-003	Touch Screen model with US Power Cord
-004	NAFTA model with US Power Cord (Made in Mexico)
-005	NA Kit with Powered Speakers
-006	GSA model with US Power Cord
-007	NH MPR model with US power cord (Made in Mexico)
-B24	TCO model without power cord (Digital Classic)
-201	EH model for Brazil (older Brazil models used -B29)
-202	EH model for Brazil Carbon (older Brazil models used -B29)
-C91	EH model for Mercosur countries
-C92	EH model for Mercosur countries Carbon
-B29	EH / ALADI model for Latin America

Note: All NA/LA models above are NH

EUROPE, MIDDLE EAST AND AFRICA (EMEA)

Dash #	Description
-021	NH / TCO with Eurocord (DCE Hub)
-022	NH / MPR with Eurocord (DCE Hub) (India)
-023	NH Carbon model with Eurocord (DCE Hub)
-024	NH Touch Screen model with Eurocord (DCE Hub)
-025	NH Kit with Speakers and Eurocord
-A91	NH / TCO without power cord (Dubai hub)
-A92	NH / MPR without power cord (Dubai hub)
-031	NH / TCO with UK Cord (UK Hub)
-032	NH / MPR with UK Cord (UK Hub)
-033	NH / TCO carbon with UK Cord
-035	NH Kit with Speakers and UK Cord
-B21	SH / MPR without power cord (S. Africa Hub)
-B23	SH / TCO without power cord (S. Africa Hub)
-B27	SH / TCO Carbon without power cord (S. Africa Hub)

Options

CRT Country Code Key (continued)

PACIFIC / AUSTRALIA (APD)

Dash #	Description
--------	-------------

-B22	NH / MPR without power cord
-B24	NH / TCO without power cord
-B25	EH Carbon model without power cord
-B26	NH Touch Screen model without power cord
-011	SH model with AUZ/NZ power cord
-015	SH model with speakers AUZ/NZ power cord
-012	SH Carbon model with AUZ/NZ power cord
-AD1	NH model for Korea
-AD2	NH Carbon model for Korea
-B28	EH model without power cord
-B35	EH model with speakers no power cord (Singapore)

GREATER CHINA (GCD)

Dash #	Description
--------	-------------

-AA1	NH / China Kit with CCIB label (Local Sales)
-AA2	NH/ Carbon China Kit with CCIB label (Local Sales)
-KA1	NH / China Kit with CCIB label (External Sales/Bundles in HK)
-AB1	NH / Taiwan kit, mfg. in Taiwan

JAPAN (CKK)

Dash #	Description
--------	-------------

-291	NH / Japan Kit with 3-2 pin adapter
-292	NH Carbon Japan Kit with 3-2 pin adapter

TFT Country Code Key

EUROPE, MIDDLE EAST & AFRICA (EMEA)

Dash #	Description
--------	-------------

-AA1	NH / China Kit with CCIB label (Local Sales)
-AA2	NH/ Carbon China Kit with CCIB label (Local Sales)
-KA1	NH / China Kit with CCIB label (External Sales/Bundles in HK)
-AB1	NH / Taiwan kit, mfg. in Taiwan

NORTH AMERICA

Dash #	Description
--------	-------------

-001	NA
-B24	All NA/LA models

APD

Dash #	Description
--------	-------------

-011	Australia/NZ
------	--------------

JAPAN (CKK)

Dash #	Description
--------	-------------

-291	Japan
------	-------

Options

External Tape Drives	(Note: The ProLiant 6400R only supports External Tape Drives)	
External 40/80-GB DLT Drive		146197-B21
External 40/80-GB DLT Drive (Japan)		146197-291
External 35/70-GB DLT Drive		242521-B21
External 35/70-GB DLT Drive (Japan)		242521-291
External 20/40-GB DLT Drive (Opal)		340744-B22
External 20/40-GB DLT Drive (Opal) (Japan)		340744-292
External 20/40-GB DAT DDS-4 Tape Drive		157770-001
20/40-GB DAT 8 Cassette Autoloader - External		166505-001
20/40-GB DAT 8 Cassette Autoloader – External (Int'l)		166505-B31
20/40-GB DAT 8 Cassette Autoloader – External (Japan)		166505-291
External AIT 50-GB Tape Drive		157767-001
External AIT 50-GB Tape Drive (Int'l)		157767-B31
External AIT 50-GB Tape Drive (Japan)		157767-291
External AIT 35-GB Tape Drive		388507-001
External AIT 35-GB Tape Drive (Int'l)		388507-B31
External AIT 35-GB Tape Drive (Japan)		388507-291
DDS-4 Media (10 pack)		152842-001
20/40-GB DAT 8 Cassette Magazine with Media		171532-B21
12-GB DDS-3 DAT Cassette (10 pack)		295515-B21
DAT Cleaning Cassette		242781-001
AIT 50-GB Data Cassette (five pack)		152841-001
AIT 35-GB Data Cassette (five pack)		402371-B21
DLT IV Drive Cartridge (single)		295194-B21
DLT IV Drive Cartridge (seven pack)		295192-B21
DLT Cleaning Cartridge		199704-001
<p>Note: Please see the Compaq 40/80-GB DLT Drive, Compaq 35/70-GB DLT Drive, Compaq 20/40-GB DLT Drive, Compaq 20/40-GB DAT Drive, Compaq 20/40-GB DAT DDS-4 8 Cassette Autoloader, Compaq AIT 50-GB Tape Drive, or the Compaq AIT 35-GB Tape Drive for an up-to-date listing of the latest O/S Support details, please see the following: http://www.compaq.com/products/quickspecs/North_America/10233_na.html Please note that all Web sites are available in English only.</p>		
External Storage		
Compaq StorageWorks™ Enclosure Model 4214R (rack-mountable)		103381-001
Compaq StorageWorks Enclosure Model 4214R (rack-mountable) (Int'l)		103381-B31
Compaq StorageWorks Enclosure Model 4214R (rack-mountable) (Japan)		103381-291
Compaq StorageWorks Enclosure Model 4254R (rack-mountable)		138151-001
Compaq StorageWorks Enclosure Model 4254R (rack-mountable) (Int'l)		138151-B31
Compaq StorageWorks Enclosure Model 4254R (rack-mountable) (Japan)		138151-291
Compaq StorageWorks Enclosure Model 4314R (rack-mountable)		190209-001
Compaq StorageWorks Enclosure Model 4314R (rack-mountable) (Int'l)		190209-B31
Compaq StorageWorks Enclosure Model 4314R (rack-mountable) (Japan)		190209-291
Compaq StorageWorks Enclosure Model 4354R (rack-mountable)		190211-001
Compaq StorageWorks Enclosure Model 4354R (rack-mountable) (Int'l)		190211-B31
Compaq StorageWorks Enclosure Model 4354R (rack-mountable) (Japan)		190211-291
<p>Note: The Compaq StorageWorks Enclosure 4200/4300 Family support the Wide Ultra2/Ultra3 1" Hot Plug Hard Drives.</p>		
Rack-Mountable SCSI Storage Expander II		332607-001
Rack-Mountable SCSI Storage Expander II (Int'l)		332607-B21

Options

External Storage <i>(continued)</i>	Rack-Mountable SCSI Storage Expander II (Japan)	332607-291	
	Rack-Mountable ProLiant Storage System Model UE	348700-001	
	Rack-Mountable ProLiant Storage System Model UE (Int'l)	348700-B31	
	Rack-Mountable ProLiant Storage System Model UE (Japan)	348700-291	
	Rack-Mountable ProLiant Storage System Model U2	304100-B22	
	Rack-Mountable ProLiant Storage System Model U2 (Int'l)	304104-B32	
	Rack-Mountable ProLiant Storage System Model U2 (Japan)	304104-292	
	Note: The Compaq ProLiant Storage System Models UE and U2 support the Wide-Ultra SCSI-3 Drives.		
	ProLiant Storage System/U Redundant Power Supply	224206-001	
	ProLiant Storage System/U Redundant Power Supply (Int'l)	224214-001	
	StorageWorks Enclosure 4200 Redundant Power Supply Option	119826-B21	
	StorageWorks Enclosure 4200 Ultra2 Dual Bus I/O Module Option	119829-B21	
	StorageWorks Enclosure 4200 Ultra3 Single Bus I/O Module Option	190212-B21	
	StorageWorks Enclosure 4200 Ultra3 Dual Bus I/O Module Option	190213-B21	
	StorageWorks Enclosure Tower to Rack Conversion Kit	150213-B21	
	StorageWorks DLT Departmental Library	TL895 (96 slot) library unit, 2 drive	349350-B22
		TL895 (96 slot) library unit, 3 drive	349350-B23
TL895 (96 slot) library unit, 4 drive		349350-B24	
TL895 (96 slot) library unit, 5 drive		349350-B25	
TL895 (96 slot) library unit, 6 drive		349350-B26	
TL895 (96 slot) library unit, 7 drive		349350-B27	
TL891DLX DLT Library, 1 drive, Rack, LVD		157305-B21	
TL891DLX DLT Library, 2 drive, Rack, LVD		157305-B22	
TL891 DLT library unit, 1 drive Rack, FWD		120876-B21	
TL891 DLT library unit, 2 drive Rack, FWD		120876-B22	
TL881 DLT Library, 1 drive Rack, FWD		128669-B21	
TL881 DLT Library, 2 drive Rack, FWD		128669-B22	
Add-On 20/40-GB Drive for TL881		128671-B21	
Add-On 35/70-GB Drive for TL891		120878-B21	
40/80 DLT Add-On Drive for TL891DLX		157303-B21	
40/80 DLT Add-On Drive for TL8x1, HVD		157304-B21	
StorageWorks Dual Channel Ultra-Wide Differential Library Host Bus Adapter		157299-B21	
Note: The StorageWorks Dual Channel Ultra-Wide Differential Library Host Bus Adapter is required to support FWD-based tape libraries.			
DLT7000 drive upgrade kit (Available for TL895 DLT Library only.)		349351-B21	
DLT7000 drive upgrade kit (Japan) (Available for TL895 DLT Library only.)		349351-291	
MiniLibrary Data Unit (Available for TL881, TL891 DLT Libraries only.)		128670-B21	
MiniLibrary Expansion Unit (Available for TL881, TL891 DLT Libraries only.)		120877-B21	
MiniLibrary Expansion Unit, LVD (Available for TL891DLX DLT Libraries only.)		157301-B21	
DLT IV Data Cartridges (single pack)		295194-B21	
DLT IV Data Cartridges (7 pack)		295192-B21	
DLT Cleaning Cartridge		199704-001	
MiniLibrary pass-through Mechanism Kit (Available for TL881, TL891 DLT Libraries only.)		120880-B21	

Options

StorageWorks DLT Departmental Library <i>(continued)</i>	10 Slot Magazine <i>(Available for TL881, TL891 DLT Libraries only.)</i>	120881-B21
	MiniLibrary Table Top to Rack Mount Conversion Kit, Metric/RETMA racks <i>(Available for TL881, TL891 DLT Libraries only.)</i>	120882-B21
	MiniLibrary Table Top to Rack Mount Conversion Kit, Compaq racks <i>(Available for TL881, TL891 DLT Libraries only.)</i>	120883-B21
	<p>Note: Please see the TL881, TL891, TL891DLX, or the TL895 Automated DLT Tape Library Solution QuickSpecs for additional information including Upgrade Kits, Accessories, ProLiant Connectivity Kits, Host Bus Adapters, SCSI Cable Kits, and Localization Kits and additional options needed for a complete solution at: http://www.compaq.com/products/quickspecs/North_America/10233_na.html Please note that all Web sites are available in English only.</p>	
Automated AIT Tape Library Solution	SSL2020 AIT Mini-Library 1 drive, 20 slot Table Top	175195-B21
	SSL2020 AIT Mini-Library 2 drive, 20 slot Table Top	175195-B22
	SSL2020 AIT Mini-Library 1 drive, 20 slot Rackmount	175196-B21
	SSL2020 AIT Mini-Library 2 drive, 20 slot Rackmount	175196-B22
	SSL2020 AIT Library Pass Thru with Transport	175312-B21
	SSL2020 AIT Library Pass Thru Extender	175312-B22
	AIT 50GB Drive Add-On LVD Drive for SSL2020 AIT Library	175197-B21
	19 Slot Magazine for SSL2020 AIT Library	175198-B21
	AIT 50-GB Data Cassette (5 pack)	152841-001
	AIT Cleaning Cassette	402374-B21
	Tabletop to Rackmount Upgrade Kit for SSL2020 AIT Library, Compaq Rack	175199-B21
	Tabletop to Rackmount Upgrade Kit for SSL2020 AIT Library, RETMA racks	175199-B22
	<p>Note: Please see the AIT Automated DLT Tape Library Solution QuickSpecs for additional information including Upgrade Kits, Accessories, and SCSI Cable Kits and additional options needed for a complete solution at: http://www.compaq.com/products/quickspecs/North_America/10233_na.html Please note that all Web sites are available in English only.</p>	
	Tape Array Solution	TA1000 AIT Tape Array, Rackmount (US)
TA1000 AIT Tape Array, Rackmount (Int'l)		175005-B31
TA1000 AIT Tape Array, Rackmount (Japan)		175005-291
AIT 50-GB Data Cassette (5 pack)		152841-001
AIT Cleaning Cassette		402374-B21
DLT Tape Array III Model 40/80-4		161140-001
DLT Tape Array III Model 40/80-4 (Int'l)		161140-B31
DLT Tape Array III Model 40/80-4 (Japan)		161140-291
DLT Tape Array III Model 0		168047-001
DLT Tape Array III Model 0 (Int'l)		168047-B31
DLT Tape Array III Model 0 (Japan)		168047-291
DLT Tape Array Model 0		199860-001
DLT Tape Array II Model 35/70-4 no software		295165-001
DLT Tape Array II Model 35/70-4 no software (Int'l)		295165-B31
DLT IV Data Cartridges (single pack)		295194-B21
DLT IV Data Cartridges (7 pack)		295192-B21
DLT Cleaning Cartridge		199704-001
DLT Library Tabletop Conversion Kit		350384-B21
Tape Array Cable Kit <i>(Available for the DLT Tape Array and DLT Tape Array II only.)</i>		242427-001
DLT Tape Array III Model 0, LVD Cable Kit		168048-B21
<p>Note: Available for the DLT Tape Array III Model.</p>		
<p>Note: Please see the Compaq TA1000 AIT Tape Array, Compaq DLT Tape Array III, or the Compaq DLT Tape Array II QuickSpecs for additional information including Tape Drives, Cartridges, Controllers, and SCSI Cables and additional options needed for a complete solution at: http://www.compaq.com/products/quickspecs/North_America/10233_na.html Please note that all Web sites are available in English only.</p>		

Options

StorageWorks Enterprise Tape Library	ESL9326DX Enterprise Library 6 40/80 Drive	161265-B23	
	ESL9326DX Enterprise Library 8 40/80 Drive	161265-B24	
	ESL9326DX Enterprise Library 10 40/80 Drive	161265-B25	
	ESL9326DX Enterprise Library 12 40/80 Drive	161265-B26	
	ESL9326DX Enterprise Library 14 40/80 Drive	161265-B27	
	ESL9326DX Enterprise Library 16 40/80 Drive	161265-B28	
	ESL9326D, 0 Drive Unit	146205-B21	
	ESL9236D Enterprise Library 6 35/70 Drive	146205-B23	
	ESL9236D Enterprise Library 8 35/70 Drive	146205-B24	
	ESL9236D Enterprise Library 10 35/70 Drive	146205-B25	
	ESL9236D Enterprise Library 12 35/70 Drive	146205-B26	
	ESL9236D Enterprise Library 14 35/70 Drive	146205-B27	
	ESL9236D Enterprise Library 16 35/70 Drive	146205-B28	
	ESL9198DLX Enterprise Library LVD, 0 Devices	194993-B21	
	ESL9198DLX Enterprise Library 2 40/80 Drive	194993-B22	
	ESL9198DLX Enterprise Library 4 40/80 Drive	194993-B24	
	ESL9198DLX Enterprise Library 8 40/80 Drive	194993-B28	
	ESL9000 Add-On 40/80-GB DLT Drive	161267-B21	
	ESL9000 Add-On LVD 40/80-GB DLT Drive in Hot Plug Canister	221248-B21	
	Library Ready 35/70GB Hot-swap drive for ESL9326D	146209-B21	
	LVD Extender Kit	221249-B21	
	ESL 9000 Pass Through Kit for Multi Unit Connectivity	161268-B21	
	StorageWorks Dual Channel Ultra-Wide Differential Library Host Bus Adapter	157299-B21	
	Note: The StorageWorks Dual Channel Ultra-Wide Differential Library Host Bus Adapter is required to support the ESL9236D Library.		
	DLT IV Data Cartridges (single pack)	295194-B21	
	DLT IV Data Cartridges (7 pack)	295192-B21	
	DLT Cleaning Cartridge	199704-001	
Note: Please see the Compaq StorageWorks Enterprise Backup Solution QuickSpecs for additional information including Tape Drives, Cartridges, Controllers, and SCSI Cables and additional options needed for a complete solution at: http://www.compaq.com/products/quickspecs/North_America/10233_na.html Please note that all Web sites are available in English only.			

Options

StorageWorks RAID Array 4100	StorageWorks Raid Array 4100 (rack)	146013-001
	StorageWorks Raid Array 4100 (rack) (Int'l)	146013-B31
	StorageWorks Raid Array 4100 (rack) (Japan)	146013-291
	Fibre Channel Storage Hub 12	295573-001
	Fibre Channel Storage Hub 12 (Int'l)	295573-B31
	Fibre Channel Storage Hub 12 (Japan)	295573-291
	Fibre Channel Storage Hub 7	234453-001
	Fibre Channel Storage Hub 7 (Int'l)	234453-B31
	Fibre Channel Storage Hub 7 (Japan)	234453-291
	Compaq Storage Hub 12 Management Option	159262-B21
	StorageWorks Raid Array 4000 Redundant Array Controller	223187-B21
	StorageWorks Fibre Channel Arbitrated Loop Switch 8	177862-B21
	StorageWorks Fibre Channel Arbitrated Loop Switch 8 (Japan)	177862-291
	StorageWorks Fibre Channel Arbitrated Loop 3-Port Expansion Module	177863-B21
	64-bit/66-MHz Fibre Channel Host Adapter	120186-B21
	64-bit/66-MHz Fibre Channel Host Adapter (Japan)	120186-291
	Fibre Channel Host Adapter Redundancy Kit	174681-B21
	GBIC-SW Connector Kit (two each)	234459-B21
	GBIC-LW Connector Kit (two each)	340412-B21
	Fibre Channel Connection Kit, 3 SW GBICS, 2 Cables	380579-B21
	Fibre Channel Connection Kit, 2 SW GBICS, 2 Cables	380596-B21
	Fibre Channel Short Wave GBIC	380561-B21
	Fibre Channel Long Wave GBIC	127508-B21
	2m Multi-Mode Fibre Channel Cable	234457-B21
	5m Multi-Mode Fibre Channel Cable	234457-B22
	15m Multi-Mode Fibre Channel Cable	234457-B23
	30m Multi-Mode Fibre Channel Cable	234457-B24
	50m Multi-Mode Fibre Channel Cable	234457-B25
	Raid Array 4000 Redundant Power Supply	224206-001
	Raid Array 4000 Tower to Rack Conversion Kit	297162-B21
	Raid Array 4100 Rack to Tower Conversion Kit	154253-B21
	Compaq Storage Hub 7 Universal Rack Mount Kit	136127-B21
	Upgrade Kit for ProLiant Storage System F and F1	296324-B21
Fibre Channel Array Controller 64-MB Cache Upgrade Kit	262398-B21	
Raid Array 4100 Rack to Tower Conversion Kit	154253-B21	
Fibre Channel Troubleshooting Kit	234468-B21	

Options

StorageWorks RAID Array 8000	<i>Departmental Pedestal Models</i>	
	RA8000 FC Single Controller (Opal)	400553-B22
	RA8000 FC Dual Controller (Opal)	400552-B22
	Expansion Cabinet 24 slot (Opal)	380570-B22

	<i>Rack Mountable Models</i>	
	RA8000 FC Single Controller	400554-B21
	RA8000 FC Dual Controller	400700-B21
	Expansion Cabinet 24 slot	380568-B21

Note: Please see the Compaq StorageWorks Fibre Channel RAID Array 8000 or Compaq StorageWorks Enterprise Storage Array 12000 Fibre Channel QuickSpecs for FC Hubs, FC switches, platform software, host adapters, disks and options for complete solutions at:
http://www.compaq.com/products/quickspecs/North_America/10418_na.html
Please note that all Web sites are available in English only.

StorageWorks Enterprise Storage Array 12000	<i>ESA Building Blocks</i>	
	High-Capacity/General Business - Dual Controllers 48 slots, 60 Hz (Opal)	400557-002
	High-Capacity/General Business - Dual Controllers 48 slots, 50 Hz (Opal)	400558-B22
	High Bandwidth Quad controllers 48 slots, 60 Hz (Opal)	400555-002
	High Bandwidth Quad controllers 48 slots, 50 Hz (Opal)	400556-B22
	Single Expansion Dual controllers 24 slots, 25U extra cabinet space, 60 Hz (Opal)	400559-002
	Single Expansion Dual controllers 24 slots, 25U extra cabinet space, 50 Hz (Opal)	400560-B22
	Expansion enclosure 48 slots, 60 Hz (Opal)	380640-002
	Expansion enclosure 48 slots, 50 Hz (Opal)	380650-B22

Note: Please see the Compaq StorageWorks Fibre Channel RAID Array 8000, RAID Array 7000, ESA12000 or ESA10000 QuickSpecs for FC Hubs, FC switches, platform software, host adapters, disks and options for complete solutions at:
http://www.compaq.com/products/quickspecs/North_America/10418_na.html
Please note that all Web sites are available in English only.

StorageWorks Modular Array 6000	MA6000 D14	187738-B21
	MA6000 S14	187739-B21

Note: Please see the Compaq StorageWorks MA6000 QuickSpecs for FC Hubs, FC switches, platform software, host adapters, disks and options for complete solutions at:
http://www.compaq.com/products/quickspecs/North_America/10418_na.html
Please note that all Web sites are available in English only.

StorageWorks Modular Array 8000/Enterprise Modular Array 12000	EMA12000 D14 60Hz	175990-B21
	EMA12000 D14 50Hz	175990-B22
	EMA12000 S14 60Hz	175991-B21
	EMA12000 S14 50Hz	175991-B22
	MA8000 60Hz	175992-B21
	MA8000 50Hz	175992-B22
	EMA12000 Blue 60Hz	175993-B21
	EMA12000 Blue 50Hz	175993-B22

Note: Options include controller, solution kits, ACS. MA8000/EMA12000 includes controller shelf, drive shelves and cabinet. Packaging upgrade to RA8000/ESA12000.

Note: Please see the Compaq StorageWorks MA8000/EMA12000 QuickSpecs for FC Hubs, FC switches, platform software, host adapters, disks and options for complete solutions at:
http://www.compaq.com/products/quickspecs/North_America/10418_na.html
Please note that all Web sites are available in English only.

Options

StorageWorks Options	Fibre Channel Tape Controller - II	152975-001	
	Fibre Channel Tape Controller – II (Int'l)	152975-B31	
	Fibre Channel Tape Controller – II (Japan)	152975-291	
	Fibre Channel Storage Switch 16	380578-B21	
	Fibre Channel Storage Switch 8	380591-B21	
	Fibre Channel SAN Switch/8 with Fabric Operating Software	158222-B21	
	Fibre Channel SAN Switch/16 with Fabric Operating Software	158223-B21	
	F200 Clustering Kit	380357-B21	
Uninterruptible Power Systems	Rack-Mountable UPS R1500 (100-127 VAC) (NA)	242704-001	
	Rack-Mountable UPS R1500h (208-240 VAC) (Int'l)	242704-002	
	Rack-Mountable UPS R1500j (100-127 VAC) (Japan)	242704-291	
	Rack-Mountable UPS R3000 (100-127 VAC) (NA)	242705-001	
	Rack-Mountable UPS R3000h (208-240 VAC) (Int'l)	242705-002	
	Rack-Mountable UPS R3000h-NA (208-240 VAC) NDC (non-detached cord)	242705-003	
	Rack-Mountable UPS R3000j (100-127 VAC) (Japan)	242705-291	
	Compaq UPS R3000 XR (120V) (NA)	192186-001	
	Compaq UPS R3000 XR (100V) (Japan)	192186-291	
	Compaq UPS R3000 XR (208V) (NA)	192186-002	
	Compaq UPS R3000 XR (208V) (Japan)	192186-292	
	Compaq UPS R3000 XR (230V) (EURO, IEC-309P)	192186-B32	
	Compaq UPS R3000 XR (208V) (Int'l - detachable cord)	192186-B31	
	Rack-Mountable UPS R6000 (208V) (NA)	347207-001	
	Rack-Mountable UPS R6000 (230V) (Int'l)	347207-B31	
	Rack-Mountable UPS R6000 (200V) (Japan)	347207-291	
	R6000 Extended Runtime Module	347224-B21	
	<i>Note: Available for the UPS R6000 Models only.</i>		
	Extended Runtime Battery, R3000 XR	192188-B21	
	<i>Note: Available for the UPS R3000 XR Models only.</i>		
	Six-Port Card	192185-B21	
	<i>Note: Available for the UPS R3000 XR Models only.</i>		
	SNMP/Serial Port Card	192189-B21	
	<i>Note: Available for the UPS R3000 XR Models only.</i>		
	SNMP-EN Adapter	347225-B21	
	High to Low Voltage Transformer (250VA)	388643-B21	
	Multi-Server UPS Card	123508-B21	
	Scalable UPS Card	123509-B21	
	Compaq High Voltage PDU Right Angled Cable Kit (IEC14)	142257-005	
	(For use with Compaq High-Voltage PDUs, this is a 15-Amp power cord with a right angle connector on the side that plugs into the ProLiant 6400R server. The right angle connection at the server improves cable management at the rear of the server.)		
	<i>Please see the Compaq Rack Builder for configuration assistance at www.compaq.com/products/storageworks/rack_accessories/rackbuilderpro2.html.</i>		

Options

Compaq Rack 9000 Series (Opal)	Compaq Rack 9142 (42U) – Pallet	120663-B21
	Compaq Rack 9142 (42U) – Shock Pallet	120663-B22
	Compaq Rack 9142 (42U) – Crafted	120663-B23
	Compaq Rack 9136 (36U) – Pallet	120664-B21
	Compaq Rack 9136 (36U) – Shock Pallet	120664-B22
	Compaq Rack 9136 (36U) – Crafted	120664-B23
	Compaq Rack 9122 (36U) – Pallet	120665-B21
	Compaq Rack 9122 (36U) – Shock Pallet	120665-B22
	Compaq Rack 9122 (36U) – Crafted	120665-B23

Note: -B21 part numbers are used for all Geos.

-B22 part numbers are used to ship configured racks (by custom systems, VARs, and Channels.)

-B23 part numbers are used for air shipments.

Rack Options for Compaq Rack 9000 Series	Baying/Coupling Kit	120669-B21
	Rack 9142 Side Panel	120670-B21
	Rack 9136 Side Panel	120671-B21
	Ballast Option Kit	120672-B21
	Stabilizer Option Kit	120673-B21
	Rack Rail Adapter Kit (25" depth)	120675-B21
	Fan (110 VAC) Roof Mount	120677-B21
	Fan (220 VAC) Roof Mount	120678-B21
	9142 Extension Kit	120679-B21
	Grounding Rack Option Kit	120682-B21
	Cable Management D-Rings Kit	168233-B21
	Rack Blanking Panels (1U)	189453-B21
	Rack Blanking Panels (2U)	189453-B22
	Rack Blanking Panels (3U)	189453-B23
	Rack Blanking Panels (4U)	189453-B24
	Rack Blanking Panels (5U)	189453-B25
	9136 Extension Kit	218216-B21
	9142 Short Rear Door	218217-B21
	9136 Short Rear Door	218218-B21

Rack Options for Compaq Rack 7000 Series	Rack Sidewall Kit (42U only)	165652-001
	Rack Coupling Kit (42U only)	165664-001
	Stabilizing Feet (42U only)	189907-001
	High Air Flow Rack Door Insert for 7122	157847-B21
	High Air Flow Rack Door Insert for 7142	327281-B21
	High Air Flow Rack Door Insert for 7142 (six pack)	327281-B22
Compaq Rack Extension Kit for 7142	154392-B21	

Options

Rack Options for Compaq Rack 7000 and 9000 Series	Sliding Shelf Kit	332564-B21
	Monitor Utility Shelf	303606-B21
	Rack Blanking Panel Kit for Rack 7000 series (Beach Gray) (U.S.)	169940-001
	Rack Blanking Panel Kit for Rack 9000 series(Opal) (U.S.)	169940-B21
	Compaq Networking Cable Management Kit	292407-B21
	Compaq Networking Recessed Rail Management Kit	292406-B21
	Compaq Power Distribution Unit-24A Low Voltage PDU	295363-001
	Compaq Power Distribution Unit-24A Low Voltage PDU (Japan)	295363-291
	Compaq Power Distribution Unit-16A High Voltage PDU (cord attached) (US)	295363-002
	Compaq Power Distribution Unit-16A High Voltage, 16A (detachable cord) (NA, Int'l)	295363-B21
	Compaq Power Distribution Unit-24A High Voltage PDUH-NDC (non-detached cord) (Int'l)	295363-B32
	Compaq Power Distribution Unit-24A High Voltage (NA only)	295363-003
	Compaq Dual Input Power Distribution Unit-24A High Voltage (NA only)	191186-001
	Compaq High Voltage PDU Right Angled Cable Kit (IEC13-IEC14) (The 10-Amp AC cord which ships standard with the Compaq ProLiant DL580 utilizes a right angle plug on the server side (the side that plugs into the server) to avoid interference with the Cable Management Arm. Compaq High Voltage PDUs ship standard with 15-Amp AC cords that incorporate straight plugs on the server side. The optional Compaq High Voltage PDU Right Angled Cable Kit (P/N 142257-004) provides a right angle version of the 15-Amp AC cord. When deploying Compaq High Voltage PDUs with the Compaq ProLiant DL580, you may choose to simplify cable management at the rear of the server chassis by installing this option kit.)	142257-004
	Server Console Switch 1 x 2 port (100-230 VAC)	120206-001
	Server Console Switch 1 x 2 port (100-230 VAC) (Int'l)	120206-B31
	Server Console Switch 1 x 2 port (100-230 VAC) (Japan)	120206-291
	Server Console Switch 1 x 4 port (100-230 VAC)	400336-001
	Server Console Switch 1 x 4 port (100-230 VAC) (Int'l)	400336-B31
	Server Console Switch 1 x 4 port (100-230 VAC) (Japan)	400336-291
	Server Console Switch 1 x 8 port (100-230 VAC)	400337-001
	Server Console Switch 1 x 8 port (100-230 VAC) (Int'l)	400337-B31
	Server Console Switch 1 x 8 port (100-230 VAC) (Japan)	400337-291
	Server Console Switch 2 x 8 port (100-230 VAC)	400338-001
	Server Console Switch 2 x 8 port (100-230 VAC) (Int'l)	400338-B31
	Server Console Switch 2 x 8 port (100-230 VAC) (Japan)	400338-291
	Server Console Switch 2 x 8 port (48VDC)	400542-B21
	CPU to Server Console Cable, 12'	110936-B21
	CPU to Server Console Cable, 20'	110936-B22
	CPU to Server Console Cable, 40'	110936-B23
	CPU to Server Console Cable, 3'	110936-B24
	CPU to Server Console Cable, 6'	110936-B25
	CPU to Server Console Cable (Plenum Rated) 20'	149363-B21
	CPU to Server Console Cable (Plenum Rated) 40'	149364-B21
	Switch Box Connector Kit (115V)	144007-001
	Switch Box Connector Kit (230V)	144007-002
	Switch Box Connector Kit (high voltage) (Int'l)	144007-B33
	Keyboard with Hot Keys and Trackball (US)	158649-001
	Keyboard with Hot Keys and Trackball (UK)	158649-003
	Keyboard with Hot Keys and Trackball (German)	158649-004
	Keyboard with Hot Keys and Trackball (French)	158649-005
	Keyboard with Hot Keys and Trackball (Italian)	158649-006

Options

Rack Options for Compaq Rack 7000 and 9000 Series <i>(continued)</i>	Keyboard with Hot Keys and Trackball (Spanish)	158649-007	
	Keyboard with Hot Keys and Trackball (Danish)	158649-008	
	Keyboard with Hot Keys and Trackball (Norwegian)	158649-009	
	Keyboard with Hot Keys and Trackball (Swedish)	158649-010	
	Keyboard with Hot Keys and Trackball (Swiss)	158649-011	
	Keyboard with Hot Keys and Trackball (Portuguese)	158649-013	
	Keyboard with Hot Keys and Trackball (Belgian)	158649-018	
	Keyboard with Hot Keys and Trackball (Japan)	158649-291	
	Keyboard with Hot Keys and Trackball (Int'l)	158649-B36	
	Rack Internal Trackball Keyboard (Opal) (UK)	185152-036	
	Rack Internal Trackball Keyboard (Opal) (Germany)	185152-046	
	Rack Internal Trackball Keyboard (Opal) (France)	185152-056	
	Rack Internal Trackball Keyboard (Opal) (Italy)	185152-066	
	Rack Internal Trackball Keyboard (Opal) (Spain)	185152-076	
	Rack Internal Trackball Keyboard (Opal) (Denmark)	185152-086	
	Rack Internal Trackball Keyboard (Opal) (Norway)	185152-096	
	Rack Internal Trackball Keyboard (Opal) (Sweden/Finland)	185152-106	
	Rack Internal Trackball Keyboard (Opal) (Switzerland)	185152-116	
	Rack Internal Trackball Keyboard (Opal) (Portugal)	185152-136	
	Rack Internal Trackball Keyboard (Opal) (Belgium)	185152-186	
	Rack Internal Trackball Keyboard (Opal) (Japan)	185152-296	
	Rack Internal Trackball Keyboard (Opal) (US)	185152-406	
	Rack Internal Trackball Keyboard (Opal) (Int'l)	185152-B36	
	1U Rack Keyboard Drawer	338056-B21	
	Keyboard/Monitor/Mouse extension cables	169989-001	
	Rack Options for Third Party Cabinet Racks	Depth Adjustable Fixed Rails	332558-B21
	Other	<p>Internal Ultra3 Cable Option Kit, HP (In order to store data at Wide Ultra3 SCSI speeds (160MB/sec), customers need three components: Wide Ultra3 SCSI Adapter or Array Controller Wide Ultra3 SCSI Hard Drives Wide Ultra3 SCSI capable cable or server backplane The ProLiant 6400R 500 MHz and 550 MHz Models are not configured with an Ultra3 SCSI capable cable. Therefore, customers are encouraged to purchase and install the Internal Ultra3 Cable Option Kit, HP (PN 166390-B21) when upgrading their server to use Wide Ultra3 SCSI Adapters, Array Controllers, and hard drives.)</p>	166390-B21

Options

Service Upgrades (CarePacs)

Hardware Services 4-Hour On-site Service

4-Hour On-site Service, 9-Hour x 5-Day Coverage, 3 Years (2-5-2 Part Number for U.S.)	FM-MI4HR-36
4-Hour On-site Service, 9-Hour x 5-Day Coverage, 3 Years (2-5-2 Part Number for Canada)	FP-MI4HR-36
4-Hour On-site Service, 9-Hour x 5-Day Coverage, 3 Years (6-3 Part Number for U.S.)	401783-002
4-Hour On-site Service, 9-Hour x 5-Day Coverage, 3 Years (6-3 Part Number for Canada)	401783-122
4-Hour On-site Service, 9-Hour x 5-Day Coverage, 3 Years (6-3 Part Number for EMEA)	324418-022
4-Hour On-site Service, 24-Hour x 7-Day Coverage, 3 Years (2-5-2 Part Number for U.S.)	FM-MI724-36
4-Hour On-site Service, 24-Hour x 7-Day Coverage, 3 Years (2-5-2 Part Number for Canada)	FP-MI724-36
4-Hour On-site Service, 24-Hour x 7-Day Coverage, 3 Years (6-3 Part Number for U.S.)	401782-002
4-Hour On-site Service, 24-Hour x 7-Day Coverage, 3 Years (6-3 Part Number for Canada)	401782-122
4-Hour On-site Service, 24-Hour x 7-Day Coverage, 3 Years (6-3 Part Number for EMEA)	376911-022

Installation & Start-up Services

Hardware Installation (2-5-2 Part Number for U.S.)	FM-MIINS-IN
Hardware Installation (2-5-2 Part Number for Canada)	FP-MIINS-IN
Hardware Installation (6-3 Part Number for U.S.)	401793-002
Hardware Installation (6-3 Part Number for Canada)	401793-122
Hardware Installation (6-3 Part Number for EMEA)	Quote
O/S & Hardware Installation (2-5-2 Part Number for U.S.) (Hardware installation plus two days O/S start-up activity (installation, configuration, network access & orientation.))	FP-CXHSI-03
O/S & Hardware Installation (6-3 Part Number for U.S.) (Hardware installation plus two days O/S start-up activity (installation, configuration, network access & orientation.))	160557-002
O/S & Hardware Installation (6-3 Part Number for EMEA) (Hardware installation plus two days O/S start-up activity (installation, configuration, network access & orientation.))	Quote

Business Solutions Priority Service Plan – Priority Level

5 x 9 4-hour H/W, 5 x 9 2-hour O/S (NT & NetWare), Three Years (2-5-2 Part Number for U.S.)	FP-CX103-36
5 x 9 4-hour H/W, 5 x 9 2-hour O/S (NT & NetWare), Three Years (2-5-2 Part Number for Canada)	FP-CZ103-36
5 x 9 4-hour H/W, 5 x 9 2-hour O/S (NT & NetWare), Three Years (6-3 Part Number for U.S.)	155325-002
5 x 9 4-hour H/W, 5 x 9 2-hour O/S (NT & NetWare), Three Years (6-3 Part Number for Canada)	155325-122
5 x 9 4-hour H/W, 5 x 9 2-hour O/S (NT & NetWare), Three Years (6-3 Part Number for EMEA)	179836-022

Business Solutions Priority Service Plan – Priority 24 Level

7 x 24 4-hour H/W, 7 x 24 2-hour O/S (NT & NetWare), Three Years (2-5-2 Part Number for U.S.)	FP-CX203-36
7 x 24 4-hour H/W, 7 x 24 2-hour O/S (NT & NetWare), Three Years (6-3 Part Number for U.S.)	155329-002
7 x 24 4-hour H/W, 7 x 24 2-hour O/S (NT & NetWare), Three Years (6-3 Part Number for EMEA)	179841-022

Options

Service Upgrades (CarePacs) (continued)

Business Solutions Priority Service Plan – Priority Plus Level

7 x 24 4-hour H/W, 7 x 24 2-hour O/S (NT & NetWare), SPS Account Review, Three Years (2-5-2 Part Number for U.S.)	FP-CX303-36
7 x 24 4-hour H/W, 7 x 24 2-hour O/S (NT & NetWare), SPS Account Review, Three Years (2-5-2 Part Number for Canada)	FP-CZ303-36
7 x 24 4-hour H/W, 7 x 24 2-hour O/S (NT & NetWare), SPS Account Review, Three Years (6-3 Part Number for U.S.)	155333-002
7 x 24 4-hour H/W, 7 x 24 2-hour O/S (NT & NetWare), SPS Account Review, Three Years (6-3 Part Number for Canada)	155333-122

Business Solutions Priority Service Plan – Priority Premier Level

7 x 24 2-hour H/W, 7 x 24 1-hour O/S (NT & NetWare), SPS Account Review, Proactive Management Review, named S/w rep, Three Years (2-5-2 Part Number for U.S.)	FP-CX503-36
7 x 24 2-hour H/W, 7 x 24 1-hour O/S (NT & NetWare), SPS Account Review, Proactive Management Review, named S/w rep, Three Years (2-5-2 Part Number for Canada)	FP-CZ503-36
7 x 24 2-hour H/W, 7 x 24 1-hour O/S (NT & NetWare), SPS Account Review, Proactive Management Review, named S/w rep, Three Years (6-3 Part Number for U.S.)	155337-002
7 x 24 2-hour H/W, 7 x 24 1-hour O/S (NT & NetWare), SPS Account Review, Proactive Management Review, named S/w rep, Three Years (6-3 Part Number for Canada)	155337-122

Business Solutions Priority Service Plan – Priority Executive Premier Level

7 x 24 2-hour H/W, 7 x 24 30-min. O/S (NT & NetWare), SPS Account Review, Proactive Management Review, named S/w rep, Three Years (2-5-2 Part Number for U.S.)	FP-CX703-36
7 x 24 2-hour H/W, 7 x 24 30-min. O/S (NT & NetWare), SPS Account Review, Proactive Management Review, named S/w rep, Three Years (2-5-2 Part Number for Canada)	FP-CZ703-36
7 x 24 2-hour H/W, 7 x 24 30-min. O/S (NT & NetWare), SPS Account Review, Proactive Management Review, named S/w rep, Three Years (6-3 Part Number for U.S.)	155341-002
7 x 24 2-hour H/W, 7 x 24 30-min. O/S (NT & NetWare), SPS Account Review, Proactive Management Review, named S/w rep, Three Years (6-3 Part Number for Canada)	155341-122

Note: For more information, customer/resellers can contact www.Compaq.com/services.

Memory

Compaq ProLiant 6400R Pentium III Xeon 6/500-2MB Model 2 & 6/550-2MB Model 2

STANDARD MEMORY

1024 MB Standard 16 slots, 4 DIMMs per bank up to 4096 MB of EDO Memory

STANDARD MEMORY PLUS OPTIONAL MEMORY

Support for up to 4096 MB of DIMM memory is available with the installation of optional EDO Memory Kits.

Note: Memory must be added in banks of four DIMMS. This chart does not represent all possible memory configurations.

Memory		Slot															
		1	2	3	4	5	6	7	8	9	10	11	12	13	14	15	16
Standard	1024 MB	256 MB	256 MB	256 MB	256 MB	Empty	Empty	Empty	Empty	Empty	Empty	Empty	Empty	Empty	Empty	Empty	Empty
Optional	4096 MB	256 MB	256 MB	256 MB	256 MB	256 MB	256 MB	256 MB	256 MB	256 MB	256 MB	256 MB	256 MB	256 MB	256 MB	256 MB	256 MB

Compaq ProLiant 6400R Pentium III Xeon 6/500 1MB Model 2-256 & 6/500 512KB Model 1-256 6/550 1MB Model 2-256 & 6/550 512K Model 1-256

STANDARD MEMORY

256 MB Standard. 16 slots, 4 DIMMs per bank up to 4096 MB of EDO Memory

STANDARD MEMORY PLUS OPTIONAL MEMORY

Support for up to 3328 MB of DIMM memory is available with the installation of optional EDO Memory Kits.

STANDARD MEMORY REPLACED WITH OPTIONAL MEMORY

Support for up to 4096 MB of DIMM memory is available with the removal of standard memory and the installation of optional EDO Memory Kits.

Note: Memory must be added in banks of four DIMMS. This chart does not represent all possible memory configurations.

Memory		Slot															
		1	2	3	4	5	6	7	8	9	10	11	12	13	14	15	16
Standard	256 MB	64 MB	64 MB	64 MB	64 MB	Empty	Empty	Empty	Empty	Empty	Empty	Empty	Empty	Empty	Empty	Empty	
Optional	3328 MB	64 MB	64 MB	64 MB	64 MB	256 MB	256 MB	256 MB	256 MB	256 MB	256 MB	256 MB	256 MB	256 MB	256 MB	256 MB	
Maximum	4096 MB	256 MB	256 MB	256 MB	256 MB	256 MB	256 MB	256 MB	256 MB	256 MB	256 MB	256 MB	256 MB	256 MB	256 MB	256 MB	

Following memory options are available from Compaq:

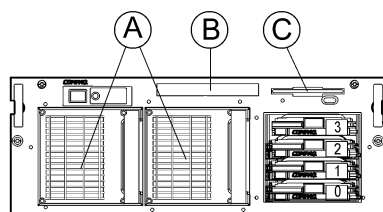
50ns EDO

- 1024-MB Memory Expansion Kit (4 x 256-MB buffered EDO DIMMs, 50ns) 328583-B21
- 512-MB Memory Expansion Kit (4 x 128-MB buffered EDO DIMMs, 50ns) 328582-B21
- 256-MB Memory Expansion Kit (4 x 64-MB buffered EDO DIMMs, 50ns) 328581-B21

60ns EDO

- 1024-MB Memory Expansion Kit (4 x 256-MB buffered EDO DIMMs, 60ns) 241774-B21
- 512-MB Memory Expansion Kit (4 x 128-MB buffered EDO DIMMs, 60ns) 241773-B21

Storage



- A Hot Plug Power Supplies
- B High Speed IDE CD-ROM
- C 1.4-MB Diskette Drive
- 0-3 Wide Ultra2/Ultra3 Drive Cage (4 x 1")

DRIVE SUPPORT

	Quantity Supported	Position Supported	Controller
Removable Media			
1.44-MB Diskette Drive	Up to 1	C	Integrated
IDE CD-ROM Drive	Up to 1	B	Integrated IDE
Hard Drives			
<i>Wide Ultra3 Hot Pluggable Drives</i>			
1-inch	Up to 4	0-3	Integrated Dual Channel Wide-Ultra SCSI-3 Adapter
36.4-GB 10,000 rpm			Smart Array 431 Controller
18.2-GB 10,000 rpm			Smart Array 3200 Controller
9.1-GB 10,000 rpm			Smart Array 4200 Controller
18.2-GB 15,000 rpm			Smart Array 5300 Controller
9.1-GB 15,000 rpm			64-bit/66-MHz Dual Channel Wide Ultra3 SCSI Adapter 64-bit/66-MHz Single Channel Wide Ultra3 SCSI Adapter
<i>Wide Ultra2 Hot Pluggable Drives</i>			
1-inch	Up to 4	0-3	Integrated Dual Channel Wide-Ultra SCSI-3 Adapter
18.2-GB			Smart Array 431 Controller
9.1-GB			Smart Array 3200 Controller Smart Array 4200 Controller Smart Array 5300 Controller 64-bit/66-MHz Dual Channel Wide Ultra3 SCSI Adapter 64-bit/66-MHz Single Channel Wide Ultra3 SCSI Adapter
External Storage			
StorageWorks Enclosure 4200/4300 Family (supports Wide Ultra2/Ultra3 drives)	Up to 10 (2 per channel SCSI controller)	External	Smart Array 431 Controller Smart Array 3200 Controller Smart Array 4200 Controller Smart Array 5300 Controller 64-bit/66-MHz Dual Channel Wide Ultra3 SCSI Adapter 64-bit/66-MHz Single Channel Wide Ultra3 SCSI Adapter
ProLiant Storage System Models UE ProLiant Storage System Models U2 (supports Wide-Ultra SCSI-3 drives)	Up to 10 (2 per channel SCSI controller)	External	Integrated Dual Channel Wide-Ultra SCSI-3 Adapter Smart Array 3200 Controller Smart Array 4200 Controller 64-bit/66-MHz Dual Channel Wide Ultra3 SCSI Adapter 64-bit/66-MHz Single Channel Wide Ultra3 SCSI Adapter

Storage

DRIVE SUPPORT *(continued)*

SCSI Storage Expander II	Up to 10 (2 per channel SCSI controller)	External	Integrated Dual Channel Wide-Ultra SCSI-3 Adapter Smart Array 3200 Controller Smart Array 4200 Controller Smart Array 5300 Controller 64-bit/66-MHz Dual Channel Wide Ultra3 SCSI Adapter 64-bit/66-MHz Single Channel Wide Ultra3 SCSI Adapter
StorageWorks RAID Array 4100 Kit	Up to 11	External	Fibre Channel Host Adapter

Maximum Storage Capacity – (SCSI Attached)

Internal	145.6 GB (4 x 36.4-GB 1" drives)
External	4.368 TB (10 ProLiant Storage Systems, each with 12 x 36.4-GB hard drives)
Total	4.513 TB

Maximum Storage Capacity – (External StorageWorks Enclosure Attached)

Internal	145.6 GB (4 x 36.4-GB 1" drives)
External	5.096 TB (10 StorageWorks Enclosures, each with 14 x 36.4-GB hard drives)
Total	5.241 TB

Maximum Storage Capacity – (External RAID Array 4000 Attached)

Internal	145.6 GB (4 x 36.4-GB 1" drives)
External	28.828 TB (6 PCI slots x 11 Raid Array 4000, each with 12x 36.4-GB hard drives)
Total	28.974 TB

Technical Specifications

System Unit	Dimensions (HxWxD) Overall	6.94 x 19. x 28.3 in (with rear fan and front handles)		
	Chassis Footprint (HxWxD)	6.94 x 19. x 25 in		
	Weight	66 lbs		
	No hard drives installed, one power supply			
	Input Requirements	Rated Input Voltage	90 to 120 VAC/200 to 240 VAC	
		Rated Input Frequency	50 to 60 Hz	
		Input Power	600W @ 110 VAC/600W @ 220 VAC	
		Rated Input Current	7A (90 VAC), 5A (120 VAC), 3A (210 VAC)	
	BTU Rating	2291 BTU		
	SCSI Connector	One 68-pin connector supporting Wide Ultra2 SCSI (running in Wide-Ultra SCSI-3 mode)		
	Power Supply Output Power (per power supply)	Rated Steady-State Power	450W/450W (lowline/highline)	
		Maximum Peak Power	480W/480W (lowline/highline)	
		Operating	50° to 95°F/10° to 35°C	
		Non-operating	-20° to 140°F/-29° to 60°C	
		Shipping	-22° to 122°F/-30° to 50°C	
Relative Humidity (non-condensing)	Operating	20% to 80%		
	Non-operating	5% to 90%		
Maximum Wet Bulb Temperature	101.7°F/38.7°C			
Acoustic Noise	Idle (Fixed Disk Drives Spinning)			
	L _{WAd} (BELS)	7.2		
	L _{pAm} (dBA)	53		
	Operating (Random Seeks to Fixed Disks)			
	L _{WAd} (BELS)	7.3		
	L _{pAm} (dBA)	54		
1.44-MB Diskette Drive	Diskette Size	3.5 in		
	LED Indicators (front panel)	Green		
	Read/Write Capacity per Diskette (high/low density)	1.44 MB/720 KB		
	Drive Supported	One		
	Drive Height	One-third		
	Drive Rotation	300 rpm		
	Transfer Rate (high/low)	500/250 Kb/s		
	Bytes/Sector	512		
	Sectors/Track (high/low)	18/9		
	Tracks/Side (high/low)	80/80		
	Access Times	Track-to-Track (high/low)	3/6 ms	
		Average (high/low)	169/94 ms	
		Settling Time	15 ms	
		Latency Average	100 ms	
Cylinders (high/low)	80/80			
Read/Write Heads	Two			

Technical Specifications

Hot Plug Wide Ultra3 SCSI Hard Drives	36.4 GB 10K 176496-B22	Capacity	36400 MB		
		Height	1 in/25.4 mm		
		Width	3.5 in/88.9 mm		
		Interface	Wide Ultra3 SCSI		
		Transfer Rate Synchronous (Maximum)	160 MB/s		
		Seek Time (typical reads, including settling)	Single Track	0.8 ms	
			Average	5.2 ms	
			Full-Stroke	12 ms	
		Rotational Speed	10,000 rpm		
		Physical Configuration	Logical Blocks	71,132,000	
Operating Temperature	50° to 95°F/10° to 35°C				
<hr/>					
	18.2 GB 10K 142673-B22	Capacity	18209.3 MB		
		Height	1 in/25.4 mm		
		Width	3.5 in/88.9 mm		
		Interface	Wide Ultra3 SCSI		
		Transfer Rate Synchronous (Maximum)	160 MB/s		
		Seek Time (typical reads, including settling)	Single Track	0.8 ms	
			Average	5.2 ms	
			Full-Stroke	12 ms	
		Rotational Speed	10,000 rpm		
		Physical Configuration	Logical Blocks	35,566,080	
Operating Temperature	50° to 95°F/10° to 35°C				
<hr/>					
	9.1 GB 10K 142671-B22	Capacity	9100.0 MB		
		Height	1 in/25.4 mm		
		Width	3.5 in/88.9 mm		
		Interface	Wide Ultra3 SCSI		
		Transfer Rate Synchronous (Maximum)	160 MB/s		
		Seek Time (typical reads, including settling)	Single Track	0.8 ms	
			Average	5.0 ms	
			Full-Stroke	12 ms	
		Rotational Speed	10,000 rpm		
		Physical Configuration	Logical Blocks	17,773,524	
Operating Temperature	50° to 95°F/10° to 35°C				

Technical Specifications

Hot Plug Wide Ultra3 SCSI Hard Drives <i>(continued)</i>	18.2 GB 15K	Capacity	18209.3 MB
	188122-B22	Height	1 in/25.4 mm
		Width	3.5 in/88.9 mm
		Interface	Wide Ultra3 SCSI
		Transfer Rate Synchronous (Maximum)	160 MB/s
		Seek Time (typical reads, including settling)	Single Track 0.8 ms Average 5.0 ms Full-Stroke 12 ms
		Rotational Speed	15,000 rpm
		Physical Configuration	Logical Blocks 35,565,080
		Operating Temperature	50° to 95°F/10° to 35°C
		9.1 GB 15K	Capacity
	188120-B22	Height	1 in/25.4 mm
		Width	3.5 in/88.9 mm
		Interface	Wide Ultra3 SCSI
		Transfer Rate Synchronous (Maximum)	160 MB/s
		Seek Time (typical reads, including settling)	Single Track 0.8 ms Average 5.0 ms Full-Stroke 12 ms
		Rotational Speed	15,000 rpm
		Physical Configuration	Logical Blocks 17,773,524
		Operating Temperature	50° to 95°F/10° to 35°C
Hot Plug Wide Ultra2 SCSI Hard Drives	18.2 GB	Capacity	18209.3 MB
	388144-B22	Height	1 in/25.4 mm
		Width	3.5 in/88.9 mm
		Interface	Wide Ultra2 SCSI
		Transfer Rate Synchronous (Maximum)	80 MB/s
		Seek Time (typical reads, including settling)	Single Track 0.8 ms Average 7.0 ms Full-Stroke 15 ms
		Rotational Speed	7200 rpm
		Physical Configuration	Logical Blocks 35,565,080
		Operating Temperature	50° to 95°F/10° to 35°C
		9.1 GB	Capacity
	123065-B22	Height	1 in/25.4 mm
		Width	3.5 in/88.9 mm
		Interface	Wide Ultra2 SCSI
		Transfer Rate Synchronous (Maximum)	80 MB/s
		Seek Time (typical reads, including settling)	Single Track 0.8 ms Average 7.0 ms Full-Stroke 15 ms
		Rotational Speed	7200 rpm
		Physical Configuration	Logical Blocks 17,773,524
		Operating Temperature	50° to 95°F/10° to 35°C

Technical Specifications

24X or higher IDE CD-ROM Drive Slim Line	Disk	Applicable Disk	CD-ROM (Mode 1 and 2) CD-DA, CD-XA (Mode 2, Form 1 and 2) Photo CD (Single and Multi-session) Mixed Mode (Audio and Data combined)
		Capacity	550 MB (Mode 1, 12 cm) 640 MB (Mode 2, 12 cm)
		Diameter	4.7 in, 3.15 in/12 cm, 8 cm
		Rotational Speed	4200 rpm maximum
		Center Hole	0.6 in/15 mm diameter
		Thickness	1.2 mm
		Track Pitch	1.6 μ m
	Block Size	Mode 1	2,048 bytes
		Mode 2	2,340, 2,336, 1,024 bytes
		CD-DA	2,352 bytes
		CD-XA	2,328 bytes
	Interface	IDE (ATAPI)	
	Access Times (typical)	Random	100 ms
		Full-Stroke	200 ms
	Audio Output Level	Line-Out	0.7 VRMS at 47 kOhms
		Headphone	0.67 VRMS at 32 kOhms (maximum volume)
	Data Transfer Rate	Sustained	150 KB/s (single)
		Burst	2100 to 3600 KB/s
	Cache Buffer	128 KB	
	Start-up Time (typical)	< 7 seconds	
	Stop Time	< 4 seconds	
	Laser Parameters	Type	Semiconductor Laser GaA1As
		Wave Length	780 \pm 25 nm
		Divergence Angle	53.5 $^{\circ}$ \pm 1.5 $^{\circ}$
		Output Power	0.14 mW
	Operating Conditions	Temperature	41 $^{\circ}$ to 113 $^{\circ}$ F/5 $^{\circ}$ to 45 $^{\circ}$ C
		Humidity	10% to 80%
	Dimensions	(HxWxD, maximum)	1.69 x 5.75 x 8.19 in/4.29 x 15 x 20.8 cm
		Weight	2.66 lbs/1.2 kg

Technical Specifications

Smart Array 3200 Controller	Data Compatible with all Smart Array Controllers	Yes	
	Instant Upgrades to other Smart Array Controllers	Yes	
	Consistent Software Manageability Tools	Yes	
	PCI Bus	64-bit, 33 MHz	
	PCI Peak Data Transfer Rate	266 MB/s	
	SCSI Protocols Supported	Ultra2, Wide-Ultra	
	SCSI Peak Data Transfer Rate	320 MB/s total, 80 MB/s per channel	
	Channels	4	
	SCSI Ports (external/internal)	4/2	
	Drives Supported (maximum)	56	
	<i>Note: Drives Supported (maximum) is based on use of Compaq StorageWorks Enclosure 4200/4300 family (14 hard disk drive enclosure).</i>		
	Cache	64-MB battery backed read-write	
	RAID Support	0, 1, 0+1, 4, 5	
	Logical Drives (maximum)	32	
	Online Configuration	Yes	
	Online Capacity Expansion	Yes	
	Logical Drive Capacity Extension	Yes	
	Online Stripe Size Migration	Yes	
	Online RAID Level Migration	Yes	
	Online Spare Support	Yes	
Automatic Data Recovery	Yes		
Drive Roaming	Yes		
Redundant Controllers	No		

Smart Array 431 Controller	Data Compatible with all Smart Array Controllers	Yes	
	Instant Upgrades to other Smart Array Controllers	Yes	
	Consistent Software Manageability Tools	Yes	
	PCI Bus	64-bit, 66MHz	
	PCI Peak Data Transfer Rate	533 MB/s	
	SCSI Protocols Supported	Ultra3, Ultra2, Wide-Ultra	
	SCSI Peak Data Transfer Rate	160 MB/s	
	Channels	1	
	SCSI Ports (external/internal)	1/1	
	Drives Supported (maximum)	14	
	<i>Note: Drives Supported (maximum) is based on use of Compaq StorageWorks Enclosure 4200/4300 family (14 hard disk drive enclosure).</i>		
	Cache	16-MB cache engine	
	RAID Support	0, 1, 0+1 5	
	Logical Drives (maximum)	32	
	Online Configuration	Yes	
	Online Capacity Expansion	Yes	
	Logical Drive Capacity Extension	Yes	
	Online Stripe Size Migration	Yes	
	Online RAID Level Migration	Yes	
	Online Spare Support	Yes	
Automatic Data Recovery	Yes		
Drive Roaming	Yes		
Redundant Controllers	No		

Technical Specifications

Smart Array 4200 Controller	Data Compatible with all Smart Array Controllers	Yes	
	Instant Upgrades to other Smart Array Controllers	Yes	
	Consistent Software Manageability Tools	Yes	
	PCI Bus	64-bit, 33 MHz	
	PCI Peak Data Transfer Rate	266 MB/s	
	SCSI Protocols Supported	Ultra2, Wide-Ultra	
	SCSI Peak Data Transfer Rate	320 MB/s total, 80 MB/s per channel	
	Channels	4	
	SCSI Ports (external/internal)	4/2	
	Drives Supported (maximum)	56	
	Note: Drives Supported (maximum) is based on use of Compaq StorageWorks Enclosure 4200/4300 family (14 hard disk drive enclosure).		
	Cache	64-MB battery backed read-write	
	RAID Support	0, 1, 0+1, 5	
	Logical Drives (maximum)	32	
	Online Configuration	Yes	
	Online Capacity Expansion	Yes	
	Logical Drive Capacity Extension	Yes	
	Online Stripe Size Migration	Yes	
	Online RAID Level Migration	Yes	
	Online Spare Support	Yes	
	Automatic Data Recovery	Yes	
	Drive Roaming	Yes	
	Redundant Controllers	No	

Smart Array 5300 Controller	Data Compatible with all Smart Array Controllers	Yes	
	Instant Upgrades to other Smart Array Controllers	Yes	
	Consistent Software Manageability Tools	Yes	
	PCI Bus	64-bit, 66MHz	
	PCI Peak Data Transfer Rate	533 MB/s	
	SCSI Protocols Supported	Ultra3, Ultra2, Wide-Ultra	
	SCSI Peak Data Transfer Rate	640 MB/s total, 160 MB/s per channel	
	Channels	2, 4	
	SCSI Ports (external/internal)	2 channel model: 2/2 4 channel model: 4/2	
	Drives Supported (maximum)	56	
	Note: Drives Supported (maximum) is based on use of Compaq StorageWorks Enclosure 4200 family. (14 hard disk drive enclosure)		
	Cache	128, 64 or 32 MB battery backed read-write	
	RAID Support	0, 1, 0+1, 5, Advanced Data Guarding	
	Note: RAID ADG will be available as of Q4 2000. For customers who have purchased the SA-5304/128 a quick firmware upgrades to enable the technology will be available from www.compaq.com/smartarray . The 128-MB cache module with RAID ADG will also be available as of Q4 2000.		
	Note: RAID Support: Advanced Data Guarding (RAID ADG) is available with 128-MB versions of the SA-5300 only.		
	Logical Drives (maximum)	32	
	Online Configuration	Yes	
	Online Capacity Expansion	Yes	
	Logical Drive Capacity Extension	Yes	
	Online Stripe Size Migration	Yes	
	Online RAID Level Migration	Yes	
	Online Spare Support	Yes	
	Automatic Data Recovery	Yes	
Drive Roaming	Yes		
Redundant Controllers	No		

Technical Specifications

64-bit/66-MHz Single Channel Wide Ultra3 SCSI Adapter	Drives Supported	Up to 14 SCSI devices
	Storage Capacity	254.8 GB
	Data Transfer Method	64-bit/66-MHz PCI bus-master
	Maximum SCSI Channel Transfer Rate	160 MB/s per channel
	Maximum Transfer Rate per PCI Bus (peak)	532 MB/s per channel
	SCSI Protocols	Wide Ultra3 SCSI Wide Ultra2 SCSI Wide-Ultra SCSI-3 Fast-Wide SCSI-2 Fast SCSI-2
	Electrical Protocol	Low Voltage Differential (LVD)
	SCSI Termination	Active Termination
	External SCSI Connectors	One 68-Pin Wide Ultra SCSI-3 connector
	Internal SCSI Connectors	Two 68-Pin Wide Ultra SCSI-3 connectors (one LVD and one SE) One 50-Pin Narrow Ultra connector
	64-bit/66-MHz Dual Channel Wide Ultra3 SCSI Adapter	Drives Supported
Storage Capacity		1.019 TB
Data Transfer Method		64-bit/66-MHz PCI bus-master
Maximum SCSI Channel Transfer Rate		160 MB/s per channel
Maximum Transfer Rate per PCI Bus (peak)		532 MB/s per channel
SCSI Protocols		Wide Ultra3 SCSI Wide Ultra2 SCSI Wide-Ultra SCSI-3 Fast SCSI-2
Electrical Protocol		Low Voltage Differential (LVD)
SCSI Termination		Active Termination
External SCSI Connectors		Two 68-Pin VHDCI connectors
Internal SCSI Connectors		Two 68-Pin Wide Ultra SCSI-3 connectors One 50-Pin Narrow Ultra connector

Technical Specifications

Compaq NC3131 Fast Ethernet NIC 64 PCI Dual Port 10/100	Network Interface	10Base-T/100Base-TX
	Compatibility	IEEE 802.3/802.3u compliant
	Data Transfer Method	32/64-bit bus-master PCI
	Network Transfer Rate	10Base-T (Half-Duplex), 10 Mb/s 10Base-2 10Base-T (Full-Duplex) 20 Mb/s 100Base-TX (Half-Duplex) 100 Mb/s 100Base-TX (Full-Duplex) 200 Mb/s
	Connector	Dual RJ-45
	I/O Address and Interrupt	Automatic Configuration
	Cable Support	10Base-T/100Base-TX Categories 3, 4 or 5 UTP (2 or 4 pair); up to 328 feet (100 meters) Category 5 UTP (2 pair); up to 328 feet (100 meters)

Compaq Rack 9142 (42U)(optional)	Dimensions	Total Cabinet	Shipping	Color
	Height	78.7 in/2,000 mm	83.38 in/2,168.65 mm	
	Depth	35.8 in/909 mm	48 in/121.92 mm	Opal
	Width	23.7 in/603 mm	32 in/812.8 mm	
	Weight	253 lbs/114.84 kg	325 lbs/147.52 kg	

Compaq Rack 9136 (36U)(optional)	Dimensions	Total Cabinet	Shipping	Color
	Height	68.6 in/1,742 mm	75.25 in/1,911.35 mm	
	Depth	35.8 in/909 mm	48 in/121.92 mm	Opal
	Width	23.7 in/603 mm	32 in/812.8 mm	
	Weight	165 lbs/75 kg	234 lbs/106 kg	

Compaq Rack 9122 (22U)(optional)	Dimensions	Total Cabinet	Shipping	Color
	Height	43 in/1,092 mm	52.25 in/1,327.15 mm	
	Depth	35.8 in/909 mm	48 in/121.92 mm	Opal
	Width	24 in/610 mm	32 in/812.8 mm	
	Weight	176 lbs/79.89 kg	225 lbs/102.13 kg	