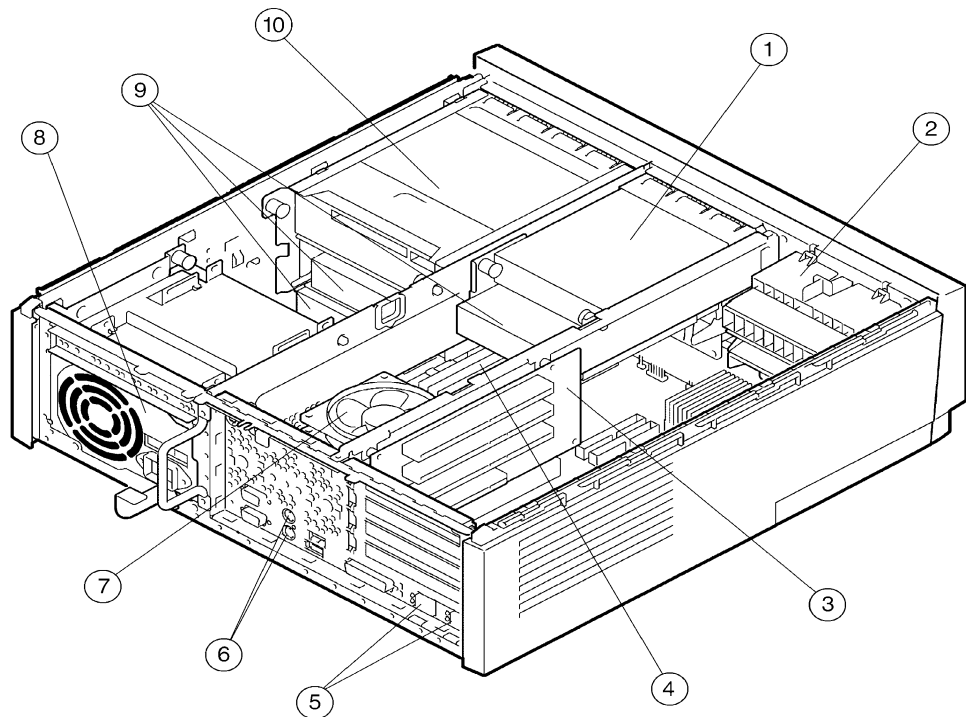


Overview

At A Glance

AlphaStation XP900 Systems include:

- Alpha processor module with 21264 466-MHz CPU with 2-MB onboard ECC cache
- Onboard dual 10/100 BaseT Ethernet ports
- Four PCI expansion slots, three 64-bit PCI slots, one 32-bit PCI slot
- Choice of SCSI adapter
- Choice of memory
- 1.44-MB diskette drive
- 600-MB CD-ROM drive
- Choice of disk drives
- Three internal 3.5" x 1" hard disk drives or two internal 3.5" x 1" hard disk drives and one 5.25" x 1.6" removable media device
- Two serial ports, one serial port with full duplex asynchronous modem control, one RMC dedicated serial port with full duplex asynchronous modem control
- Bi-directional enhanced parallel port
- PS/2-style keyboard port and mouse port
- Choice of graphics adapters
- 300W (120/240V, 60/50 Hz) power supply with auto-ranging AC input
- 3-button mouse
- US power cord with North American orders
- US English documentation
- Tru64 UNIX or OpenVMS Factory Installed Software (Linux-ready systems available)
- 90-day software product warranty
- Protected by Compaq Services, including 3-year on-site hardware with next business day response
- Note: Country Kit mandatory for CTO orders



- | | |
|------------------------|-----------------------------|
| 1. Diskette drive | 6. Keyboard and mouse ports |
| 2. Fan | 7. CPU and fan |
| 3. PCI riser card | 8. Power supply |
| 4. Memory boards | 9. Disks |
| 5. Dual Ethernet ports | 10. CD-ROM drive |

Standard Features

Processor	Alpha 21264 466-MHz processor with 2-MB ECC onboard cache	
Upgradability	One CPU standard; supports upgrades of memory and hard drives	
Memory	Standard	CTO systems – choice of memory, minimum 256 MB (Tru64 UNIX, OpenVMS) and 512 MB (Linux-Ready)
	Maximum	2 GB (2 memory kits, kits include two industry-standard DIMMs with ECC support)
Network Controller	Onboard dual 10/100 BaseT Ethernet ports	
Expansion	Storage bays	Five (diskette drive bay, CD-ROM drive bay, and three storage bays – three internal 3.5" x 1" hard disk drives or two internal 3.5" x 1" hard disk drives and one 5.25" x 1.6" removable media device)
	PCI slots	Four (three 64-bit, one 32-bit)
Storage	Diskette Drive	1.44-MB diskette drive
	CD-ROM	5.25" half height CD-ROM drive
	Hard Drives	CTO systems – choice of disk drives
Storage Adapters	CTO systems – choice of adapters	
Expansion Ports	Parallel	1 bi-directional enhanced port
	Serial	2 ports, 1 serial port with full duplex asynchronous modem control and 1 RMS dedicated serial port with full duplex asynchronous modem control
	Keyboard	1 PS/2-style port
	Mouse	1 port
Graphics	CTO systems – choice of graphics adapters	
Power Supply	300W (120/240V, 60/50 Hz)	
Manageability	Compaq Insight Manager	
Supported Options	For a detailed summary of supported options for the AlphaStation XP900, see the AlphaServer DS10 Supported Options List – http://www.compaq.com/alphaserver/options/asds10/ds10_All_options.html#OptListHead	
OS Support	AlphaStation XP900 Tru64 UNIX systems include pre-installed software (V5.1), 2-user Base license, and Compaq Open3D Traditional license AlphaStation XP900 OpenVMS systems include pre-installed software (V7.2-1), Base license, Concurrent Use 1-user license, NAS 150 Client license, and Compaq Open3D Traditional license AlphaStation XP900 Linux-Ready systems ship without system software; Red Hat 6.0 or SuSe 6.1 may be purchased separately from a Linux distributor. Minimum OS support: Tru64 UNIX V4.0F or OpenVMS V7.1-2	
Service and Support	Protected by Compaq Services including a 3-year on-site hardware warranty with next business day response. Software warranty is a 90-day telephone advisory. Training, consulting, network integration, software support, comprehensive system maintenance and guaranteed uptime services are also available for customers requiring higher levels of service and support.	

Systems/Options

Step 1 – Select system

AlphaStation XP900 systems include Tru64 UNIX V5.0A or OpenVMS V7.2-1

Configure-to-order (CTO) systems require the following:

- Mandatory selection of memory – minimum 256 MB (Tru64 UNIX, OpenVMS) and 512 MB (Linux-Ready)
- Mandatory selection of system disk drive; operating system will be installed on smallest disk
- Mandatory selection of SCSI adapter
- Mandatory selection of country kit

Notes: Keyboard is not mandatory but required for system to be fully operational.

AlphaStation XP900 CTO Systems

OS	CPU	Memory	SCSI Adapter	Ethernet	Graphics	Hard Drive	Order No.
Tru64 UNIX	466 MHz	Mandatory	Mandatory	Onboard	Optional	Mandatory	SN-DB10W-A3
OpenVMS	466 MHz	Mandatory	Mandatory	Onboard	Optional	Mandatory	SN-DB10W-A4
Linux-Ready	466 MHz	Mandatory	Mandatory	Onboard	Optional	Mandatory	SN-DB10W-A1

Step 2 – Memory – Mandatory for CTO systems

- Maximum 2-GB memory (two memory kits); each kit includes two industry standard DIMMs with ECC support
- CTO systems require mandatory selection of 256-MB or 512-MB memory depending on operating system

256-MB memory kit, two 200-pin, 83-MHz, 128-MB DIMMs	3X-MS310-CA
512-MB memory kit, two 200-pin, 83-MHz, 256-MB DIMMs	3X-MS310-DA
1-GB memory kit, two 200-pin, 83-MHz, 512-MB DIMMs	3X-MS310-EA

Step 3 – Country Kits – Required for CTO systems

- Country kits include two country-specific power cords, user documentation, and mouse; Tru64 UNIX or OpenVMS license included
- CTO systems require mandatory selection of country kit
- Order one country kit per system; bulk orders must include country kits equal to total number of systems ordered

United States, Canada, Taiwan, Philippines, Thailand, Japan/English	SN-PBB0U-AA
Australia, New Zealand/English	SN-PBB0U-CN
Canada/French	SN-PBB0U-AC
China, General Asia/English	SN-PBB0U-CA
China/Simplified Chinese	SN-PBB0U-CV
Denmark/English	SN-PBB0U-AD
Finland/English	SN-PBB0U-AF
France, Belgium/French	SN-PBB0U-AP
General European/English	SN-PBB0U-EC
Germany/German	SN-PBB0U-AG
Italy/Italian	SN-PBB0U-AI
Japan/Japanese	SN-PBB0U-AJ
Japan/English	SN-PBB0U-CC
Netherlands/Dutch	SN-PBB0U-AH
Norway/English	SN-PBB0U-AN
Spain/Spanish	SN-PBB0U-AS
Sweden/English	SN-PBB0U-AM
Switzerland/English	SN-PBB0U-CH
Switzerland/French	SN-PBB0U-AK
Switzerland/German	SN-PBB0U-AL
Switzerland/Italian	SN-PBB0U-AW
United Kingdom/English	SN-PBB0U-AE

Options

Step 4 – Keyboards – Required for system operation

- CTO systems do not include keyboard
- Selection of keyboard is not mandatory but required for system operation

	Tru64 UNIX or Linux	OpenVMS
U.S./English keyboard	SN-LKQ47-BA	LK461-A2
Arabic keyboard	SN-LKQ47-BR	-
Belgian keyboard	SN-LKQ47-AB	LK461-AB
BHCSY keyboard	SN-LKQ47-AX	-
Canadian/English keyboard	-	LK461-AQ
Canadian/French keyboard	SN-LKQ47-AC	LK461-AC
Cyrillic keyboard	SN-LKQ47-BT	LK461-BT
Czech keyboard	SN-LKQ47-BV	LK461-BV
Danish keyboard	SN-LKQ47-AD	LK461-AD
Dutch keyboard	SN-LKQ47-AH	LK461-AH
Finnish keyboard	SN-LKQ47-AF	LK461-AF
French keyboard	SN-LKQ47-AP	LK461-AP
German keyboard	SN-LKQ47-AG	LK461-AG
Greek keyboard	SN-LKQ47-BH	LK461-BH
Hebrew keyboard	SN-LKQ47-AT	LK461-AT
Hungarian keyboard	SN-LKQ47-BQ	LK461-BQ
Italian keyboard	SN-LKQ47-AI	LK461-AI
Korean keyboard	SN-LKQ47-BK	-
Latin-American keyboard	SN-LKQ47-AR	-
Norwegian keyboard	SN-LKQ47-AN	LK461-AN
Polish keyboard	SN-LKQ47-BP	LK461-BP
Slovak keyboard	SN-LKQ47-CZ	LK461-CZ
Swedish keyboard	SN-LKQ47-AM	LK461-AM
Swiss/French keyboard	SN-LKQ47-AK	LK461-AK
Swiss/German keyboard	-	LK461-AL
UK keyboard	SN-LKQ47-AE	-
Portuguese keyboard	SN-LKQ47-AV	LK461-AV
Romanian keyboard	-	LK461-BL
S. Chinese keyboard	SN-LKQ47-CV	-
Spanish keyboard	SN-LKQ47-AS	LK461-AS
Taiwanese keyboard	SN-LKQ47-BI	-
Thai keyboard	SN-LKQ47-CB	-
Turkish keyboard	SN-LKQ47-BU	LK461-BU
Turkish/French keyboard	-	LK461-BW
Yugoslavian keyboard	-	LK461-BY

Options

Step 5 – Internal Storage – Mandatory selection of storage controller/adaptor and SCSI hard drive for CTO systems

- CTO systems require mandatory selection of storage adapter and hard disk drive
- Additional internal storage supported: 5.25" x 1.6" removable media bay and two 3.5" x 1" hard disk drives bays, or three 3.5" x 1" hard disk drives bays

Controllers/Adapters

• CTO systems require mandatory selection of storage adapter and SCSI cable kit		
PCI 1-port Wide Ultra2 LVD SCSI adapter, maximum two per system		3X-KZPCA-AA
PCI 2-channel LVD multi-mode Ultra3 SCSI adapter, VHDCI (Tru64 UNIX V5.1 only)		3X-KZPEA-DB
Note: Patch kit required, kit available at: http://ftp1.support.compaq.com/public/Digital_UNIX/v5.1/		
PCI 1-port Wide UltraSCSI differential adapter, maximum two per system		SN-KZPBA-CB
PCI 2-port UltraSCSI single-ended adapter and 10/100 Mb Ethernet combo adapter, maximum two per system		KZPCM-DA
PCI combo card – 1-channel Ultra2 SCSI (LVD) 2D Graphics, 10/100 Ethernet (Tru64 UNIX and OpenVMS)		3X-DEPVZ-AA
PCI 1-port UltraSCSI RAID controller, maximum two per Tru64 UNIX and Open VMS systems		KZPAC-AA
PCI 3-port UltraSCSI RAID controller, maximum two per Tru64 UNIX and Open VMS systems		KZPAC-CA/CB
PCI 1-channel Ultra2 SCSI RAID controller, 4-MB cache, maximum three per system (Linux-Ready Systems ONLY)		SN-KZPBC-AA
PCI 3-channel Ultra2 SCSI RAID controller, 32-MB cache, maximum three per system (Linux-Ready Systems ONLY)		FR-PCTAR-IB
PCI 3-channel Ultra2 SCSI RAID controller, 64-MB cache, maximum three per system (Linux-Ready Systems ONLY)		FR-PCTAR-IC
SCSI cable kit		3X-BN51A-SE

SCSI Disk Drives

9.1-GB Wide Ultra3 LVD SCSI 10,000 rpm hard disk drive, 1 inch bay		SN-PBXRW-VB
18.2-GB Wide Ultra3 LVD SCSI 10,000 rpm hard disk drive, 1 inch bay		SN-PBXRW-WC
36.4-GB Wide Ultra3 LVD SCSI 10,000 rpm hard disk drive, 1 inch bay		SN-PBXRW-XB
18.2-GB 10,000 rpm Ultra3 SCSI drive		DS-RZ3EF-WA
36.4-GB 10,000 rpm Ultra3 SCSI drive		DS-RZ3FD-WA

Removable Media Devices

TLZ10 DAT 4 mm Internal tape drive (requires SN-PBXKP-BA wide-to-narrow SCSI adapter)		TLZ10-LB
Wide-to-narrow SCSI adapter		SN-PBXKP-BA
20/40-GB 4mm DAT Ultra2 (LVD) SCSI internal tape drive		3X-SD20X-LB
50/100-GB 8mm AIT Ultra2 (LVD) SCSI internal tape drive		3X-SZ50X-LB
35/70-GB 8mm AIT Wide UltraSCSI internal tape drive		3X-SZ35X-LB
35/70-GB AIT tape drive (LVD), carbon black		3R-A2392-AA

Options

Step 6 – External Storage – Optional

32/64-GB tabletop DAT loader	TLZ9L-DB
5, 7, 10, 14-GB 8mm tabletop, single-ended SCSI	TKZ9F-TA
32/64-GB DAT loader in carrier	TLZ9L-VA
12/24-GB 4mm DAT narrow single-ended tabletop SCSI tape drive, includes 120V North American power cord, requires BN31W-xx SCSI cable	DS-TLZ10-DB
20/40-GB single-ended SCSI tape drive	TZ88N-TA
20/40-GB DAT 8 cassette autoloader, US	166505-001
20/40-GB DAT 8 cassette autoloader, International	166505-B31
20/40-GB DAT Ultra2 (LVD) tabletop tape drive, US	157770-001
20/40-GB DAT Ultra2 (LVD) tabletop tape drive, International	157770-B31
35/70 AIT (LVD) tabletop tape drive unit, US	216885-001
35/70 AIT (LVD) tabletop tape drive unit, International	216885-B31
35/70 AIT (LVD) tabletop tape drive unit, Japan	216885-291
50/100-GB AIT tabletop tape drive, US	157767-001
50/100-GB AIT tabletop tape drive, International	157767-B31
50/100-GB AIT tabletop tape drive, Japan	157767-291
40/80-GB DLT tape drive in StorageWorks carrier	DS-TZ90N-VW
110/220-GB SDLT Ultra2 (LVD) tabletop tape drive, US	192103-001
110/220-GB SDLT Ultra2 (LVD) tabletop tape drive, International	192103-B31
110/220-GB SDLT Ultra2 (LVD) tabletop tape drive, Japan	192103-291

External Storage Adapters

PCI 3-channel Ultra2 (LVD) RAID controller, 64-MB cache (Tru64 UNIX V4.0F/4.0G/5.1)	DS-KZPCC-CE
PCI 1-channel Ultra2 (LVD) backplane RAID controller kit, 64-bit, 16-MB cache, (Tru64 UNIX V4.0F/4.0G/5.1)	DS-KZPCC-AC

Step 7 – Graphics Adapters – Optional

3DLabs Oxygen VX1 32-MB PCI 2D graphics accelerator; maximum three per Tru64 UNIX and OpenVMS systems	SN-PBXGF-AB
ELSA GLoria Synergy graphics with 8-MB SGRAM 1600x1200, 2D/3D graphics accelerator, maximum three per Tru64 UNIX and OpenVMS systems; maximum one per Linux-Ready systems	SN-PBXGK-BB
PowerStorm 350 PCI graphics, 30-MB frame buffer memory, 32-MB texture memory; maximum three per Tru64 UNIX and OpenVMS systems	SN-PBXGD-AE
PowerStorm 300 midrange 3D graphics with 15-MB frame buffer memory and 16-MB texture memory, TrueColor at 1280 x 1024, maximum three per Tru64 UNIX and OpenVMS systems	SN-PBXGD-AD
PCI combo adapter – Permedia P2 graphics, 10/100-MB NIC (Tru64 UNIX, OpenVMS, and Linux-Ready)	3X-DEPVD-AA
PCI combo card – 1-channel Ultra2 SCSI (LVD) 2D graphics, 10/100 Ethernet (Tru64 UNIX and OpenVMS)	3X-DEPVZ-AA

Options

Step 8 –Monitors –Optional

- Graphics monitors other than those listed below can be used if compatible with SVGA graphics ordered with system.
- Monitors ship with, but are not integrated with the system.

V570 15 inch (13.8 inch viewable image size) multiple-scan color monitor, VGA to 800 x 600 @ 85 Hz, 0.28mm AG, TCO99, Northern Hemisphere with NA power cord	3R-A3082-AA
S510 15 inch (13.8 inch viewable image size) multiple-scan color monitor with Invar Shadow Mask, VGA to 1024 x 768 @ 75 Hz, 0.28mm AG, MPR II; Northern Hemisphere with Eurocord	3R-A2832-AA
Same as above, APD, no power cord	3R-VRQS5-24
V500 15 inch (13.8 inch viewable image size) auto scanning color monitor, VGA to 1024 x 768 @85 Hz, 0.28mm FST, MPRII, Southern Hemisphere with Australia/New Zealand power cord	3R-VRQV5-11
P710 17 inch (16 inch viewable image size) auto-scanning color monitor, Diamondtron NF, 0.25mm aperture grille pitch, VGA to 1280 x 1024 @ 75 Hz, TCO 99; Northern Hemisphere with NA power cord	3R-A2936-AA
Same as above, APD, no power cord	3R-A2260-AA
Same as above, PRC with power cord, CCIB	3R-A3335-AA
Same as above, Southern Hemisphere, with Australia/New Zealand power cord	3R-A2263-AA
Same as above, Northern Hemisphere, with Power Factor Correction and Eurocord, 220V only	3R-A2261-AA
P910 19 inch (18 inch viewable image size) auto-scanning color monitor, Diamondtron NF, 0.25mm aperture grille pitch, VGA to 1280 x 1024 @ 85 Hz, TCO 99; Northern Hemisphere with NA power cord	3R-A2935-AA
Same as above, PRC with power cord, CCIB	3R-A3334-AA
Same as above, Southern Hemisphere, with Australia/New Zealand power cord	3R-A2267-AA
Same as above, Northern Hemisphere, with power factor correction and Eurocord, 220V only	3R-A2265-AA
TFT 8020 18 inch (18.1 inch viewable image size) flat panel monitor, TFT active matrix, in-plane switching technology 160 degrees viewing angles, 1280 x 1024 resolution, brightness 200 nits, detachable base; requires ELSE GLoria Synergy or PowerStorm 3xx video adapter	3R-A0852-AA
P1100 21 inch (19.6 inch viewable image size) auto-scanning color monitor, Trinitron CRT, 0.28mm aperture grille pitch, VGA to 1600 x 1200 @75 Hz, TCO99, Southern Hemisphere, Australia/New Zealand power cord	3R-VRQP1-23
P1210 22 inch (20 inch viewable image size) auto-scanning color monitor, Diamondtron NF, 0.24mm aperture grille pitch, VGA to 1600 x 1200 @ 85 Hz, TCO 99 with power factor correction, Northern Hemisphere with NA power cord	3R-A2934-AA
Same as above with Eurocord	3R-VRQP2-AA
Same as above, APD, no power cord	3R-A2268-AA
Same as above, PRC with power cord, CCIB	3R-A3333-AA

Options

Step 8 – Monitors – Optional (continued)

Monitor Power Cords	North America	BN26J-1K
	Australia, New Zealand, 2.5 m	BN19H-2E
	Central Europe, 2.5 m	BN19C-2E
	Denmark, 2.5 m	BN19K-2E
	Egypt, India, South Africa, 2.5 m	BN19S-2E
	Israel, 2.5 m	BN18L-2E
	Italy, 2.5 m	BN19M-2E
	Japan, 2.5 m, Dentori approved	3X-BN46F-02
	Switzerland, 2.5 m	BN19E-2E
	UK, Ireland, 2.5 m	BN19A-2E

Step 9 – Audio Option – Optional

Ensoniq PCI audio card; maximum one per system (CD audio not supported on Tru64 UNIX and OpenVMS systems)	SN-AVH10-AB
Ensoniq PCI 1373 audio card with headphone jack and CD audio cable	SN-AVH10-AC

Step 10 – Rackmount Kit– Optional

M-Series Rackmount kit; optional kit for rackmounting XP900 systems in cabinet	3X-PBX01-AB
--	-------------

Step 11 – Network Controllers/Adapters – Optional

- Systems include dual embedded 10/100 BaseT Ethernet ports (BN25G-xx cable must be ordered separately)
- Additional Ethernet ports can be added using available PCI slots

	Maximum # Supported			
	Tru64 UNIX	OpenVMS	Linux-Ready	
PCI 1-port 10/100-Mb Ethernet adapter (Twisted Pair)	2	2	2	3X-DE600-AA
PCI 2-port 10/100-Mb Ethernet adapter (Twisted Pair)	1	1	1	3X-DE602-AA
PCI single-port MMF add-on daughter card for 3X-DE602-AA	1	1	1	3X-DE602-FA
PCI combo adapter – Permedia P2 graphics, 10/100MB NIC	1	1	1	3X-DEPVD-AA
PCI combo card: 1-channel Ultra2 SCSI (LVD), 2D graphics, 10/100 Ethernet	1	1		3X-DEPVZ-AA
PCI 10/100 Mb 4-port Ethernet adapter, UTP	1	1	1	DE504-BA
Gigabit Ethernet adapter	1	1	1	DEGPA-SA
PCI FDDI adapter, SAS MMF, SC	1	1	1	3X-DEFPA-AC
PCI FDDI adapter, DAS TP-PMD	1	1	-	3X-DEFPA-MC
PCI FDDI adapter, DAS UTP, MMF, SC	1	1	-	3X-DEFPA-DC
PCI FDDI adapter SAS TP-PMD	1	1	-	3X-DEFPA-UC
PCI 4-port asynchronous controller	3	3	-	PBXDA-AA
PCI 8-port asynchronous controller	3	3	-	PBXDA-AB
PCI 16-port asynchronous controller	3	3	-	PBXDA-AC
PCI-to-ATM 155 Mb adapter – Fiber	-	2	-	3X-DAPBA-FA
PCI-to-ATM 155 Mb adapter – UTP	-	2	-	3X-DAPBA-UA
PCI-to-ATM 622 Mb adapter – Fiber	-	1	-	3X-DAPCA-FA
PCI-to-Gigabit Ethernet adapter – UTP, w/RJ45	1	-	1	DEGPA-TA
PCI-to-dual port synchronous controller	-	2	-	3X-PBXDD-AA
PCI-to-quad port synchronous controller	-	2	-	3X-PBXDD-AB

Options

Step 12 – Software – Required selection of media and documentation for first system on site

	<ul style="list-style-type: none"> Software Processor Code = E 																															
Tru64 UNIX	<ul style="list-style-type: none"> Tru64 UNIX systems include Tru64 UNIX V5.1, 2-user license and Compaq Open3D license 																															
When using Tru64 UNIX V5.0A or later	<table border="1"> <tbody> <tr> <td>Tru64 UNIX media and online documentation on CD-ROM</td> <td>QA-6ADAA-H8</td> </tr> <tr> <td>Tru64 UNIX full hard copy documentation</td> <td>QA-6ADAA-GZ</td> </tr> <tr> <td>TruCluster Plus Software Package with licenses for TruCluster Server, Logical Storage Manager, and AdvFS Utilities</td> <td>QP-6R9AC-AA</td> </tr> <tr> <td>TruCluster Server License</td> <td>QL-6BRAC-AA</td> </tr> <tr> <td>AdvFS Utilities License</td> <td>QL-0EGAE-AA</td> </tr> <tr> <td>Logical Storage Manager License</td> <td>QL-2GVAE-AA</td> </tr> <tr> <td>Advanced Server for Tru64 UNIX, 25 client concurrent use license</td> <td>QL-5U29M-3D</td> </tr> <tr> <td>Advanced Server for Tru64 UNIX, 50 client concurrent use license</td> <td>QL-5U29M-3E</td> </tr> <tr> <td>Advanced Server for Tru64 UNIX, 100 client concurrent use license</td> <td>QL-5U29M-3F</td> </tr> <tr> <td>Advanced Server for Tru64 UNIX, 250 client concurrent use license</td> <td>QL-5U29M-3G</td> </tr> <tr> <td>Advanced Server for Tru64 UNIX, 500 client concurrent use license</td> <td>QL-5U29M-3H</td> </tr> <tr> <td>Layered products media and documentation for Tru64 UNIX on CD-ROM</td> <td>QA-054AA-H8</td> </tr> <tr> <td>DECnet/OSI end-system license for Tru64 UNIX</td> <td>QL-MTJAE-AA</td> </tr> <tr> <td>DECnet/OSI extended function license for Tru64 UNIX</td> <td>QL-MTKAE-AA</td> </tr> <tr> <td>Open3D for Tru64 UNIX on CD-ROM, includes graphics drivers</td> <td>QA-0AFAA-H8</td> </tr> </tbody> </table>	Tru64 UNIX media and online documentation on CD-ROM	QA-6ADAA-H8	Tru64 UNIX full hard copy documentation	QA-6ADAA-GZ	TruCluster Plus Software Package with licenses for TruCluster Server, Logical Storage Manager, and AdvFS Utilities	QP-6R9AC-AA	TruCluster Server License	QL-6BRAC-AA	AdvFS Utilities License	QL-0EGAE-AA	Logical Storage Manager License	QL-2GVAE-AA	Advanced Server for Tru64 UNIX, 25 client concurrent use license	QL-5U29M-3D	Advanced Server for Tru64 UNIX, 50 client concurrent use license	QL-5U29M-3E	Advanced Server for Tru64 UNIX, 100 client concurrent use license	QL-5U29M-3F	Advanced Server for Tru64 UNIX, 250 client concurrent use license	QL-5U29M-3G	Advanced Server for Tru64 UNIX, 500 client concurrent use license	QL-5U29M-3H	Layered products media and documentation for Tru64 UNIX on CD-ROM	QA-054AA-H8	DECnet/OSI end-system license for Tru64 UNIX	QL-MTJAE-AA	DECnet/OSI extended function license for Tru64 UNIX	QL-MTKAE-AA	Open3D for Tru64 UNIX on CD-ROM, includes graphics drivers	QA-0AFAA-H8	
Tru64 UNIX media and online documentation on CD-ROM	QA-6ADAA-H8																															
Tru64 UNIX full hard copy documentation	QA-6ADAA-GZ																															
TruCluster Plus Software Package with licenses for TruCluster Server, Logical Storage Manager, and AdvFS Utilities	QP-6R9AC-AA																															
TruCluster Server License	QL-6BRAC-AA																															
AdvFS Utilities License	QL-0EGAE-AA																															
Logical Storage Manager License	QL-2GVAE-AA																															
Advanced Server for Tru64 UNIX, 25 client concurrent use license	QL-5U29M-3D																															
Advanced Server for Tru64 UNIX, 50 client concurrent use license	QL-5U29M-3E																															
Advanced Server for Tru64 UNIX, 100 client concurrent use license	QL-5U29M-3F																															
Advanced Server for Tru64 UNIX, 250 client concurrent use license	QL-5U29M-3G																															
Advanced Server for Tru64 UNIX, 500 client concurrent use license	QL-5U29M-3H																															
Layered products media and documentation for Tru64 UNIX on CD-ROM	QA-054AA-H8																															
DECnet/OSI end-system license for Tru64 UNIX	QL-MTJAE-AA																															
DECnet/OSI extended function license for Tru64 UNIX	QL-MTKAE-AA																															
Open3D for Tru64 UNIX on CD-ROM, includes graphics drivers	QA-0AFAA-H8																															

Options

Step 12 – Software – Required selection of media and documentation for first system on site *(continued)*

OpenVMS

- OpenVMS systems include OpenVMS System Value License Package with OpenVMS V7.2-1 base license, 1-user license, NAS Client 150 Traditional License, and Open3D for OpenVMS license. NAS 150 enables the following products: DECwindows Motif, DECnet End System, DECnet/OSI End Node, TCP/IP Client, and OpenVMS Cluster Client software.
- OpenVMS Concurrent Use Licenses are not specific to a single system and can be moved between systems at user discretion. OpenVMS Concurrent Use licenses can also be shared in a mixed OpenVMS VAX and OpenVMS Alpha Cluster. OpenVMS Traditional Unlimited Use license is system specific and can only be used on one single system at a time. It cannot be shared between systems or in an OpenVMS VAX or OpenVMS Alpha Cluster.

OpenVMS V7.2-1 media on CD-ROM	QA-MT1AT-H8
OpenVMS V7.1-2 media on CD-ROM	QA-MT1AR-H8
OpenVMS V7.2-1 media and online documentation on CD-ROM	QA-MT1AA-H8
OpenVMS hard copy documentation	QA-001AA-GZ
Layered products media and documentation for OpenVMS on CD-ROM	QA-03XAA-H8
Open3D for OpenVMS on CD-ROM, includes graphics drivers	QA-0ADAA-H8
Concurrent Use 1-user license	QL-MT3AA-3B
Concurrent Use 2-user license	QL-MT3AA-3C
Concurrent Use 4-user license	QL-MT3AA-3D
Concurrent Use 8-user license	QL-MT3AA-3E
Concurrent Use 16-user license	QL-MT3AA-3F
Concurrent Use 32-user license	QL-MT3AA-3G
Concurrent Use 64-user license	QL-MT3AA-3H
Concurrent Use 128-user license	QL-MT3AA-3J
Concurrent Use 256-user license	QL-MT3AA-3K
Traditional Unlimited User license	QL-MT2AE-AA

Step 13 – User Documentation – Optional

XP900 Quick Setup Guide, Multi-lingual	EK-DS10V-CP
XP900 User Reference Card, English	EK-DS10V-UR
XP900 User Reference Card, French	EK-DS1XP-UR
XP900 User Reference Card, German	EK-DS1XD-UR
XP900 User Reference Card, Japanese	EK-DS1XJ-UR
XP900 User Reference Card, Spanish	EK-DS1XE-UR
XP900 User Reference Card, Italian	EK-DS1XI-UR
XP900 User Reference Card, Dutch	EK-DS1XN-UR
XP900 Console Reference Guide, English only	EK-DS10V-CR

Options

Step 14 – Hardware and Software Support Services

- Select one of the optional CarePaq Priority Service Packages described below that best supports the customer's operational requirements for system availability.
-

CarePaq Priority Services

- CarePaq Priority Services are available for Compaq AlphaStation XP900 systems running Compaq Tru64 UNIX or OpenVMS operating systems. Priority Services are designed for the growing number of customers who need support beyond the basic warranty. Five packages are offered - Priority, Priority 24, Priority Silver, Priority Gold, and Priority Executive with coverage for both Principal systems and SSPs (Subsequent System Packages) – that meet a full range of customer support requirements.
-

Program Features – Principal System

Priority

- 9x5 HW/SW support
 - 4-hour response on-site hardware support
 - 2-hour response for Bronze software support
 - License Subscription for Compaq O/S software and embedded L/P (i.e., EIS for OpenVMS, unlimited users, and server extensions for Tru64 UNIX)
 - Condist update distribution for OpenVMS or Tru64 UNIX and their layered products. (Layered products not included on Condist can be ordered separately.)
-

Priority 24

- 24x7 HW/SW support
 - Named HW engineer
 - 4-hour response on-site hardware support
 - 2-hour response for Bronze software support
 - License Subscription for Compaq O/S software and embedded L/P (i.e., EIS for OpenVMS, unlimited users, and server extensions for Tru64 UNIX)
 - Condist update distribution for OpenVMS or Tru64 UNIX and their layered products. (Layered products not included on Condist can be ordered separately.)
-

Priority Silver

- 24x7 HW Support with Named Engineer, 4-hour response
 - 24x7 Silver SW Support - Named Account Rep, 1-hour response Monday – Friday, 8AM-5PM local time; 2-hour response remaining hours
 - License Subscription for Compaq O/S software and embedded L/P (i.e., EIS for OpenVMS, unlimited users, and server extensions for Tru64 UNIX)
 - Condist update distribution for OpenVMS or Tru64 UNIX and their layered products. (Layered products not included on Condist can be ordered separately.)
 - Technical newsletter and SW activity review
 - Proactive Patch Notification
 - One (1) System Healthcheck per year
-

Priority Gold

- 24x7 HW support with Named Engineer, 4-hour response for on-site support
 - 24x7 Gold SW support - Named Account Rep
 - 30-minute callback (critical); 1-hour callback (non-critical)
 - License Subscription for Compaq O/S software and embedded L/P (i.e., EIS for OpenVMS, unlimited users, and server extensions for Tru64 UNIX)
 - Condist update distribution for OpenVMS or Tru64 UNIX and their layered products. (Layered products not included on Condist can be ordered separately.)
 - Technical newsletter, SW activity review and 10 hours Upgrade impact planning
 - Proactive Revision Management
 - Two (2) System Healthchecks per year
 - Mandatory pre-qualification required
-

Options

Step 14 – Hardware and Software Support Services *(continued)*

CarePaq Priority Services *(continued)*

Program Features – Principal System *(continued)*

Priority Gold Executive

- 24x7 HW support with Named Engineer, two-hour response for on-site support
- 24x7 Gold SW support - Named Account Rep
- 30-minute callback (critical); one-hour callback (non-critical)
- License Subscription for Compaq O/S software and embedded L/P (i.e., EIS for OpenVMS, unlimited users, and server extensions for Tru64 UNIX)
- Software update distribution on CD-ROM: OpenVMS or Tru64 UNIX and their layered products (Layered products not included on Condlist can be ordered separately.)
- Technical newsletter, SW activity review and 10 hours Upgrade impact planning
- Proactive Revision Management
- Two (2) System Healthchecks per year
- Customer site must be within 25 miles of a Compaq service location
- Mandatory pre-qualification required

Program Features – Additional Services

SSPs (Subsequent System Packages)

- For Priority, Priority 24, Priority Silver, Priority Gold, and Priority Gold Executive
- HW Support at same level as corresponding package for Principal system
- License Subscription: Compaq O/S (where applicable)
- Telephone support through Principal system covered by full support package

Installation

- Pre-installation review
- Unpacking of equipment
- Assemble and test
- Basic product usage info
- No software installation added

Installation & Startup Compaq O/S

- Pre-installation review
- Unpacking of equipment
- Assemble and test
- Basic product usage info
- Install operating systems
- Product configuration
- Print and network access
- Orientation

Options

Step 14 – Hardware and Software Support Services (continued)

CarePaq Priority Services (continued)

Model/CarePaq Priority Service	Principal System 1 year	Principal System 3 years	Subsequent Systems 1 year	Subsequent Systems 3 years
AlphaStation XP900				
Priority	FP-A01BA-12	FP-A01BA-36	FP-A21BA-12	FP-A21BA-36
Priority 24	FP-A02BA-12	FP-A02BA-36	FP-A22BA-12	FP-A22BA-36
Priority Silver	FP-A04BA-12	FP-A04BA-36	FP-A24BA-12	FP-A24BA-36
Priority Gold	FP-A08BA-12	FP-A08BA-36	FP-A28BA-12	FP-A28BA-36
Priority Gold Exec.	FP-A09BA-12	FP-A09BA-36	FP-A29BA-12	FP-A29BA-36
Installation	FP-AINST-BA	FP-AINST-BA	FP-AINST-BA	FP-AINST-BA
Installation & Startup	FP-ASTAR-BA	FP-ASTAR-BA	FP-ASTAR-BA	FP-ASTAR-AA

Notes:

- AlphaStation XP900 systems include three years hardware warranty with 5x9, on-site Next Business Day response.
- New Compaq hardware options internal to the AlphaStation XP900 enclosure receive the same warranty or service level as purchased with the system.
- External storage devices/cabinets carry their own level of warranty and should be quoted separately for uplifted warranty services (CarePaq Priority Service).
- In addition to the CarePaq Priority Services, uplifted warranty Supplemental Services are available for separate hardware and software support. For more information on Hardware and Software Supplemental Services and other Compaq service options available for AlphaStations, consult your Compaq Sales Account Manager or visit <http://www.compaq.com/services/>

Technical Specifications

System Unit	Physical Characteristics	Dimensions (HxWxD)	5.1 x 17.6 x 19 inch/13 x 45 x 48 cm
		Weight (maximum)	36 pounds/16.3 kg
	Environmental	Operating	Non-operating
	Temperature	50° to 104° F/10° to 40° C	-40° to 151° F/-40° to 66° C
		Note: Maximum operating temperature at sea level. Reduce by 1.8° F (1° C) for each 2,000 ft (660 m) above sea level.	
	Humidity (non-condensing)	20% to 80%	10% to 95%
	Altitude (unpressurized)	10,000 feet/3,048 m	40,000 feet/12,192 m
		Note: Higher altitudes are possible if maximum operating temperature is reduced. Other restrictions may apply.	
	Heat Dissipation	Single unit = 176 Watts = 601 BTU/Hr	
	Power Requirements	Nominal voltage range	100 to 120 VAC/220 VAC
		Operating voltage range	90 to 128 VAC/180 to 265 VAC
		Power source phase	Single/Single
		Nominal frequency	60 Hz/50 Hz
		Frequency range	59-61 Hz/49-51 Hz
		Maximum inrush current	11 amps/22 amps
		Single power supply (single cordset)	12 amps/5 amps 7.4 amps each supply/3.7 amps each supply
		Regulatory	UL: Listed to UL1950 (3rd edition) CUL Listed CAN/CSA-C22.2 No. 950-M95 TUV: EN 60950/A11: 1997 GS marked FCC: Part 15 Class A CE: EN55022, EN50082 VCCI Class II ITE BMSI: CISPR22, CNS13438 C-Tick: CISPR22, AS/NZS 3548
		Reviewed to	AS/NZ 3260:1993 Australian/New Zealand Standard EN 60950/A11: 1997 European Norm IEC950 (2nd edition, 4th amend)