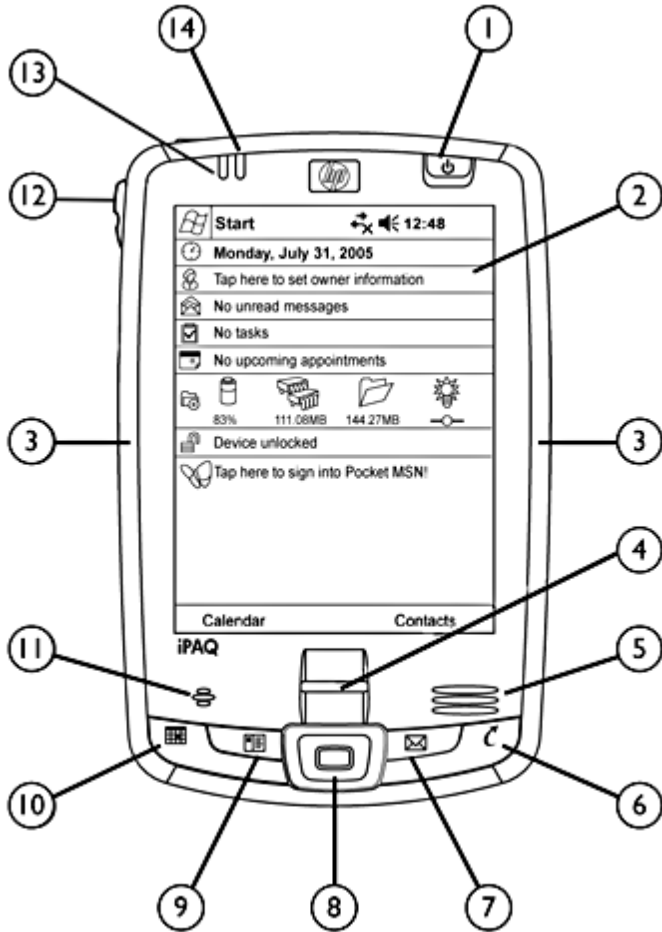
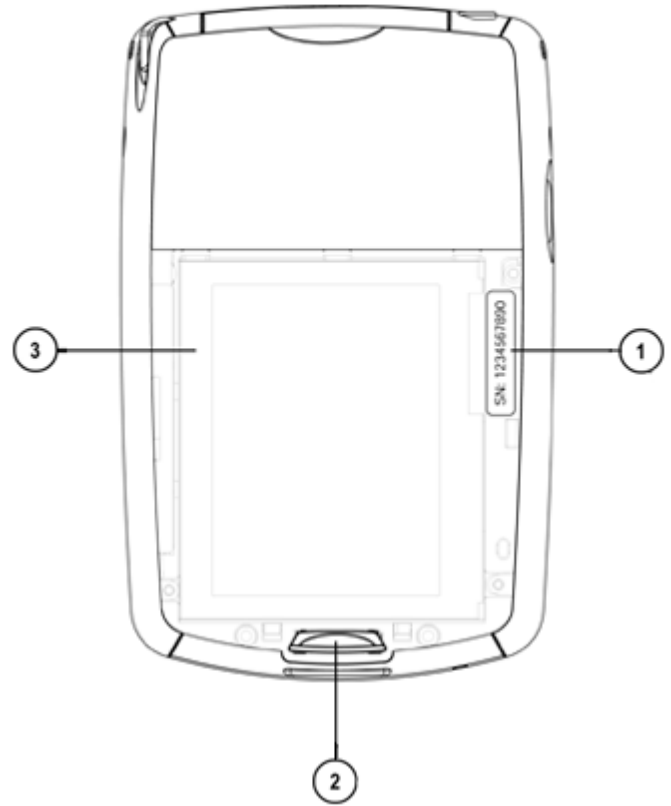


Overview



Front Image

- | | |
|---------------------------------|--------------------------------|
| 1. Power Button | 8. 5-way Navigation Button |
| 2. Color Display | 9. Contacts Button |
| 3. Rubber Side Grips | 10. Calendar Button |
| 4. Biometric Fingerprint Reader | 11. Microphone |
| 5. Speaker | 12. Voice Record Button (side) |
| 6. iTask Button | 13. Wireless LED |
| 7. Messaging Button | 14. Charging/Notification LED |



Reverse Image

1. Serial number under battery door
2. Battery Door Cover Release
3. Battery Door Cover

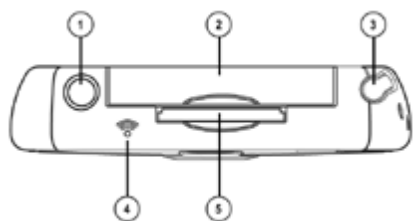
NOTE: This image shows the product with the battery door removed.

Overview

At A Glance

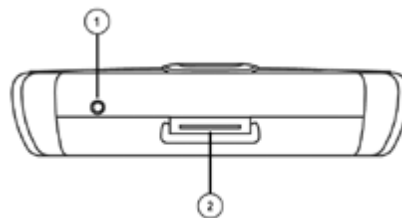
- Intel® PXA270 Processor 624 MHz
- Integrated biometric fingerprint reader
- Integrated Wi-Fi (802.11b) ¹
- Integrated Bluetooth® wireless technology¹
- Integrated Compact Flash type II (CF) and Secure Digital (SDIO) slots
- HP ProtectTools secured by Credant Technologies security application²
- 3.5" transfective TFT QVGA with 64K color LED backlight display, landscape and portrait display modes
- Microsoft® Windows Mobile™ 5.0 Software for Pocket PC, Premium Edition
- Removable/rechargeable 1440 mAh battery
- Integrated Serial IR
- Protective plastic flip cover
- Pocket versions of familiar applications like Microsoft® Outlook®, Word, Excel, and PowerPoint

NOTE: ¹ A standard WLAN (Wi-Fi) infrastructure, other Bluetooth-enabled devices, separately purchased equipment, and a service contract with a wireless airtime provider may be required for applicable wireless communication. Wireless Internet use requires a separately purchased service contract. Check with wireless network service providers for availability and coverage in your area. Not all web content available.



Top Image

1. Headphone/Headset Jack
2. Compact Flash (CD) Expansion Slot
3. Stylus
4. Serial IR (Infrared) Port
5. Secure Digital (SDIO) Expansion Slot



Bottom Image

1. Reset Button
2. Charging/ActiveSync Connector

Standard Features

Models

iPAQ Pocket PC hx2790b – 320 MB ROM, 64 MB SDRAM, Wi-Fi (802.11b), Bluetooth, Serial IR and Biometrics security

FA677B#ABA – US Commercial, English

FA677B#ABU – United Kingdom & Ireland

FA677B#ABB – Euro English

FA677B#ABC – French Canadian

FA677B#B16 – Latin American Spanish

FA677B#AC4 – Brazilian Portuguese

FA677B#AC8 – Argentina, LA Spanish

FA677B#UUF – Asia Pacific English

FA677B#ABG – Australia, New Zealand

FA677B#ARE – Malaysia English

FA677B#AB0 – Taiwan – Traditional – Chinese

FA677B#AB2 – Simplified Chinese

FA677B#AB5 – Hong Kong Traditional – Chinese

FA677B#AB1 – Korea

FA677B#ABJ – Japan

FA677B#ABD – Germany

FA677B#ABF – France

FA677B#ABZ – Italy

FA677B#ABE – Spain

FA677B#ACB – Russian

iPAQ Pocket PC hx2795b – 192 MB ROM, 64 MB SDRAM, Wi-Fi (802.11b), Bluetooth, Serial IR and Biometrics security

FA676B#ABA – US Retail, English

Processor	Intel® PXA270 Processor 624 MHz	
	NOTE: Intel's processor numbering is not a measurement of higher performance.	
Memory	User Available Memory	384 MB total memory (320 MB ROM and 64 MB SDRAM) Up to 256 MB user available persistent storage memory
Display	Type	Transflective TFT QVGA color with LED backlight with power save mode
	Modes	Portrait and landscape
	Number of Colors	64K color (65,536 colors) 16-bit
	Touch Screen	Yes
	Resolution (W x H)	240 x 320 pixels
	Dot Pitch	0.24 mm
	Viewable Image Size	3.5 in (89 mm)
Hardware Buttons/ Reset Buttons	Power, soft reset, 5-way navigation, voice record, calendar, contacts, messaging, and iTask buttons. (The last 5 buttons are re-programmable.)	

Standard Features

Stylus	One – Included in the box			
Audio	Integrated microphone, speaker and one 3.5 mm stereo headphone jack			
Indicators	LED 1 – Power	Solid amber LED – battery in unit fully charged Flashing amber LED – battery in unit charging Flashing green – event alarm/notification		
	LED 2 – Wireless	Flashing blue LED – wireless radio enabled		
Cradle Interfaces	Connector	1 – 22 pin		
	DC Power jack connector for AC/DC Adapter connection	1		
Other Interfaces	IrDA (SIR)			
	USB 2.0 Client	– supported via HP standard 22 pin cradle interface		
	Serial RS232	– supported via HP standard 22 pin cable interface (cable must be purchased separately)		
	NOTE: Some HP authorized options may not be supported. See http://www.hp.com/go/ipaqaccessories .			
SD Slot	Support 1-bit SDIO and 4-bit SD/MMC type memory standard			
CF Slot	1 Type II			
Power Supply	Battery	Removable/rechargeable 1440 mAh Lithium-Ion (user changeable). Optional extended 2880 mAh Lithium-Ion battery available for purchase (http://www.hp.com/go/ipaqaccessories).		
	AC Power	AC Input: 100~240 Vac, 50/60 Hz, AC Input current: 0.3 Aac max Output Voltage: 5Vdc (typical), Output Current: 2A (typical)		
	NOTE: Battery run time varies based on the usage pattern of an individual user and the configuration of the handheld. Use of internal wireless capabilities and backlight will significantly decrease battery run time.			
AC Adapter	Dimensions (H x W xD)	3 x 1.9 x 1.8 in (76 x 48 x 44 mm – including prongs), (may vary by model)		
	Cord Length (approx.)	6 ft (1.83 m)		
	Power Supply Ratings	Voltage Range	100 to 240 V Switching	
		Input Current	0.3 Aac	
		Input Frequency	50 to 60 Hz	
		Output Voltage	5 VDC	
Output Current	2 Amp			

Standard Features

System Unit	Dimensions (H x W x D) 4.71 x 3.01 x .65 in (119.4 x 76.6 x 16.3 mm)
	Weight 5.8 oz (164.4 g)
	Operating Temperature 32° to 104° F (0° to 40° C)
	Storage Temperature -4° to 140° F (-20° to 60° C)
	Operating Humidity 90% RH
	Regulatory Marks
	Electrical FCC Class B, UL or CSA NRTL
	Safety C-UL, NOM
Design Features	4 programmable application quick-launch buttons, 5-way navigation button, touch-sensitive display for stylus or fingertip, voice record button, microphone and speaker, biometric fingerprint reader, rubber sides for comfortable grip
Operating System	Microsoft® Windows Mobile™ 5.0 for Pocket PC, Premium Edition Mobile versions of Microsoft software are included (Outlook®, Word®, Excel®, PowerPoint®, Windows Media® Player, and Internet Explorer®)
Operating System Applications	Powered by Microsoft® Windows Mobile™ 5.0 Software for Pocket PC, Premium Edition; Calendar, Contacts, Messaging (with Spell Checker for email), Tasks, Voice Recorder, Notes, Word Mobile (with Spellchecker), Excel Mobile, PowerPoint Mobile Internet Explorer Mobile, Windows Media Player 10 Mobile, Calculator, Solitaire, Jawbreaker, File Explorer, Terminal Services Client, Beam, Clock, Align Screen, Memory, Volume.
In the box	HP iPAQ hx2790 Pocket PC, lithium-Ion 1440 mAh removable/rechargeable battery, AC adapter, charger adapter USB desktop synchronization cradle, stylus, protective plastic flip cover, HP iPAQ Product Information Guide and HP iPAQ Getting Started disc.
Additional Software and links	Microsoft ActiveSync 4.1, Microsoft Reader eBooks, and links to Microsoft websites for additional downloadable applications (NOTE: some programs may require purchase of additional desktop software to utilize Pocket PC versions).
Service and Support	One-year parts and labor in most regions; 90 days technical support for software in most regions. Additional offers may vary by region.
HP Exclusive Applications	<ul style="list-style-type: none">• HP ProtectTools secured by Credant Technologies: help secure your device and your data²• Bluetooth Phone Manager: connect to a Bluetooth enabled phone and browse the Internet^{1,3,4}• Bluetooth Manager: manage your Bluetooth connections and settings• iPAQ Wireless: manage your wireless connections• iTask: launch and switch between tasks and applications• HP Image Zone for Pocket PC: view images and create slide shows• Utilities: Self Test, iPAQ Audio, Power Status, Certificate Enroller

Standard Features

Getting Started Disc from HP

Applications

Full Versions

ActiveSync 4.1
 Adobe Reader for PC
 BVRP Live Update
 Funk Odyssey® Client for Windows Mobile™
 WorldMate (NA Retail only)
 Windows Media Player 10

Trial Versions

Audible Player

CD Links

Handango

Additional Documentation

Important Safety Information on PDF, and Additional Product Information on PDF

NOTE: Programs may vary based on model. Some programs are accessed through CD links to download web sites.

Wi-Fi (802.11b) Specifications^{1,5}

Technology	High-speed wireless access to the Internet, email and corporate data
RF Network Standard	IEEE 802 Part 11b (802.11b)
Frequency Band	2.4000 to 2.4835 GHz 2.4465 to 2.4835 GHz (France) 2.4000 to 2.497 GHz (Japan)
Antenna Type	Embedded Antenna
Security	WEP 64/128-bit compliant to IEEE 802.11 Compliant to 802.1X (EAP-TLS, PEAP) LEAP, WPA
Network Architecture Models	Ad-hoc (Peer to Peer) Infrastructure (Access Points Required)
Modulation Technique	Direct Sequence Spread Spectrum
Modulation Schemes	DBPSK, DQPSK, CCK
Receiver Sensitivity – Packet Error Rate (8E-2)	11 Mbps: <-80 dBm 5.5 Mbps: <-82 dBm 2 Mbps: <-86 dBm 1 Mbps: <-89 dBm
Maximum Receive Level	-10dBm (1/2/5.5/11 Mbps)
Output Power	15 dBm
Power Management	Radio On/Off control through iPAQ wireless Power Save mode available in Power Settings
Power Consumption	Transfer mode: < 300 mA, average Receive mode: < 200 mA, average
Power Saving Option	802.11 Compliant Power Saving, idle mode 20 mA
Media Access Protocol	CSMA/CA (Collision Avoidance) with ACK
Protocols Supported	TCP/IP IPX/SPX UDP
Operating Distance	Up to 1000 feet – Open sight

Standard Features

Usage Models

Service Discovery

Determine what Bluetooth devices are within range and support authorization

File Transfer

File and directory browsing and navigation on another Bluetooth device.

File copying

Object manipulation – including add, delete, create new folders etc.

Serial Port

Synchronization between PDAs and PCs

Dial Up Networking

Wireless link to WAN thru Bluetooth enabled cell phone^{1,3,4}

Agnostic to WAN technology

Send/receive SMS messages

LAN Access

Wireless link to Corporate LAN using Bluetooth and appropriate Bluetooth access point¹

Corporate email, network neighborhood, access to LAN applications, file transfer, ftp, Internet browsing, etc, using TCP/IP¹

Access the Internet by connecting to your desktop or notebook over Bluetooth and using its network connection¹

Generic Object Exchange and Object Push

Exchange business cards, tasks, documents, appointments and more¹

Personal Area Networking

Collaborate, chat, play games, exchange data¹

Adhoc peer to peer networking¹

Basic Printing and Hard Copy Replacement Profiles

Print to any HP Bluetooth enabled printer without the need for cables or specific print drivers

Certifications

All necessary regulatory approvals for countries supported including: Bluetooth logo (FCC (47 CFR) Part 15C, Section 15.247&15.249 ETS 300 328, ETS xxx 489-1/17 Low Voltage Directive IEC950 UL and CE Mark)

NOTE:

¹ A standard WLAN (Wi-Fi) infrastructure, other Bluetooth-enabled devices, separately purchased equipment, and a service contract with a wireless airtime provider may be required for applicable wireless communication. Wireless Internet use requires a separately purchased service contract. Check with wireless network service providers for availability and coverage in your area. Not all web content available.

Options

NOTE: Optional accessories are available at additional cost.

Memory/Storage	128 MB SD Memory Card	FA135A#AC3
	256 MB SD Memory Card	FA136A#AC3
	512 MB SD Memory Card	FA184A#AC3
	1 GB SD Memory Card	FA283A#AC3
	128 MB miniSD Memory Card*	FA602A#AC3
	256 MB miniSD Memory Card*	FA603A#AC3
	512 MB miniSD Memory Card*	FA604A#AC3
* Models with full-sized SD slots will require the use of an SD adapter (included).		
Power	1440 mAh Lithium-Ion Standard Battery	FA285x#AC3
	2880 mAh Lithium Ion Extended Battery	FA286x#AC3
	Automobile Adapter	FA125A#AC3 Or FA690B#AC3
	Charger Adapter	FA133A#AC3
	AC Adapter (WW)	FA372x#AC3
Synchronization	Desktop Cradle	FA260B#AC3
	AutoSync Cable (USB and Serial)	FA122A#AC3
Input Devices	Stylus Three-pack	FA261A#AC3
	Foldable Keyboard	FA118A#xxx
	Thumb keyboard	FA302A#AC3
Navigation	iPAQ Navigation System – (U.S. only)	FA196A#ABA
Headphones	Bluetooth Stereo Headphones	FA303A#xxx
Cases	Premier Leather Case	FA662#AC3
	iPAQ Rugged Case	FA288A#AC3
	Nylon Slim Case	FA161A#AC3
	Leather Belt Case	FA160A#AC3
	Premier Leather Belt Case	FA350A#AC3
	Custom Cases: to view and order go to: http://www.casesonline.com	

Options

NOTES:

¹ A standard WLAN (Wi-Fi) infrastructure, other Bluetooth-enabled devices, separately purchased equipment, and a service contract with a wireless airtime provider may be required for applicable wireless communication. Wireless Internet use requires a separately purchased service contract. Check with wireless network service providers for availability and coverage in your area. Not all web content available.

² User must have HP ProtectTools features enabled.

³ Requires Bluetooth enabled mobile, separately purchased wireless carrier/Internet service plan(s) and supporting IT infrastructure.

⁴ Telephone service requires separately purchased contract with a telephone service provider with coverage in your service area.

⁵ Wireless access points required and is not included. Availability of public wireless access points limited. Wireless Internet use requires separately purchased Internet service contract.

HP iPAQ Pocket PC features Windows Mobile™ software

For more information on HP iPAQ Pocket PC, visit our website at <http://www.hp.com/go/iPAQ>

©Copyright 2007 Hewlett-Packard Development Company, L.P. The information contained herein is subject to change without notice. The only warranties for HP products and services are set forth in the express warranty statements accompanying such products and services. Nothing herein should be construed as constituting an additional warranty. HP shall not be liable for technical or editorial errors or omissions contained herein. Microsoft, Windows, and the Windows Logo are U.S. registered trademarks of Microsoft Corporation. Intel and the Intel inside logo are trademarks or registered trademarks of Intel Corporation or its subsidiaries in the U.S. and other countries.