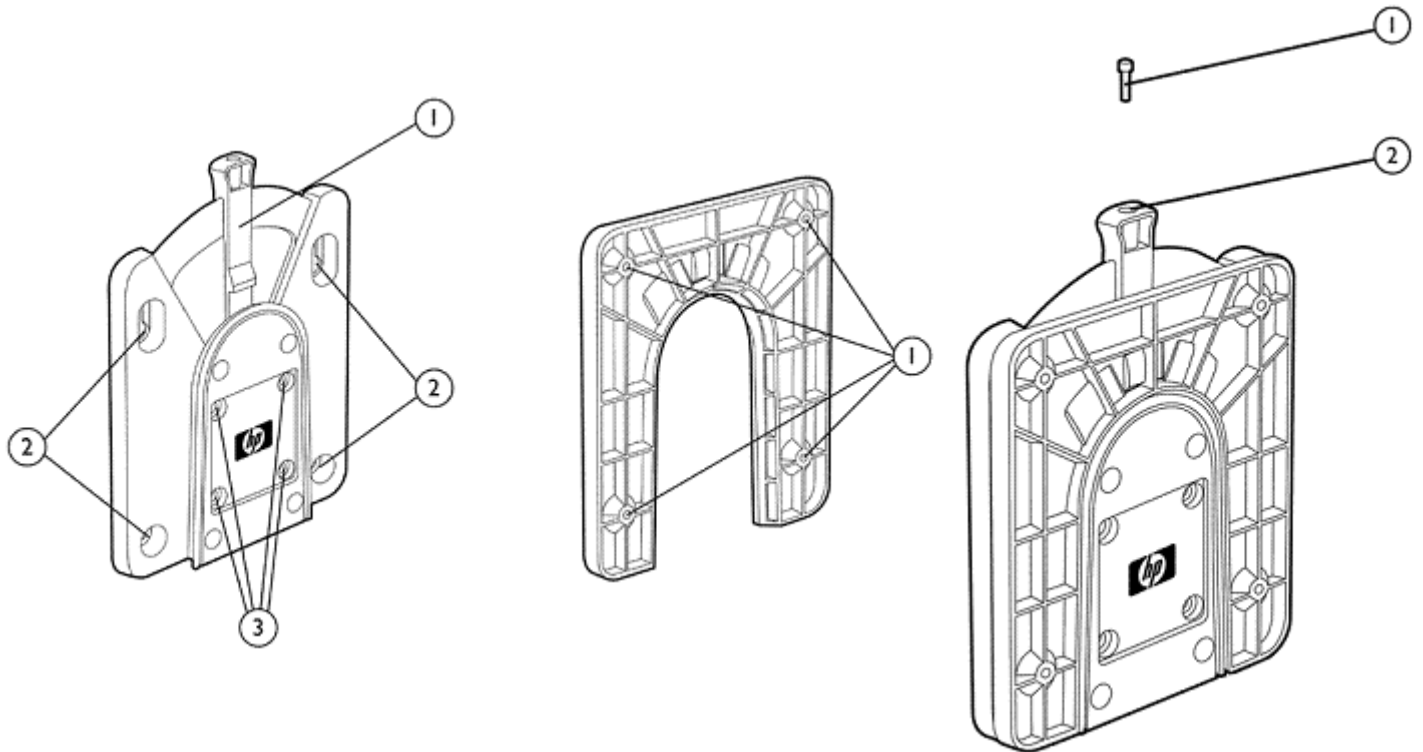


Overview



1. Release/locking
2. Four 100 mm VESA mount screw holes
3. Mounting holes for attachment to back of HP L2045w and Performance series monitor stands

1. Four 100 mm VESA mount screw holes

1. Locking pin screw
2. Locking pin hole on release/locking arm

Models

Part Number: EM870AA#ABA

Introduction

HP offers a variety of optional products (each sold separately) designed to complement our monitors and enhance the overall computing experience. The HP LCD Monitor Quick Release is the newest option designed for use with 100 mm VESA-compatible flat panel monitors.

HP Quick Release is an easy to use, 100 mm VESA-compliant, LCD monitor mounting solution that allows you to quickly and securely attach a flat panel monitor to a variety of stands, brackets, arms or wall mounts. HP Quick Release can also be used for mounting any combination of devices that are compatible with the 100 mm VESA Flat Display Mounting Interface Standard. The failsafe "Sure-Lock" mechanism snaps the monitor (or mounted device) securely in place, and can be further secured with a theft-deterrent security screw.

Overview

Uniquely flexible product configurations

HP Quick Release enables uniquely flexible product configuration alternatives in a variety of settings, such as:

- Storefronts/kiosks: Mount LCD monitors for easy viewing and add touchscreens for interactivity.
- Trade shows: Securely mount LCD TVs or monitors in common areas and quickly remove them for safekeeping at the end of the day.
- Front office environments: Minimize desk space requirements with wall or swing-arm mounting of monitors in reception areas.
- Training labs: Mount a monitor directly on a 100 mm VESA-compatible PC such as the HP Compaq dc7800 USDT or an HP Thin Client for all-in-one convenience.
- Medical/institutional settings: Securely mount monitors in nursing stations and public areas.
- Conference rooms: Mount projectors (with 100 mm VESA-compliant pre-drilled holes) on ceilings, and monitors on walls or tables.

Compatibility

The HP LCD Monitor Quick Release is designed to integrate with select HP flat panel monitors, in configurations as noted below, as well as HP t5000 Series and the gt7725 Thin Clients or HP Compaq dc7900 or dc7800 USDT PC.

Compatible HP LCD monitor mounting scenarios	Direct mounting of monitor to wall	Direct mounting of monitor to mounting arm or bracket	Direct attachment of select thin client products or HP dc7900/ dc7800 USDT to the back of monitor	Mounting of select thin client products or HP dc7900/ dc7800 USDT between monitor and wall (Requires the use of two separate Quick Release devices)	Mounting of select thin client products or HP dc7900/ dc7800 USDT between monitor and mounting arm or bracket (Requires the use of two separate Quick Release devices)
Essential series: Basic features and functionality					
L1710 (17-inch diagonal) Part #: GS917AA	EM870AA*	EM870AA*	IWC stand (GN783AA) required	EM870AA*	EM870AA*
L1910 (19-inch diagonal) Part #: GS918AA	EM870AA*	EM870AA*	IWC stand (GN783AA) required	EM870AA*	EM870AA*
LE1851w (18.5-inch diagonal widescreen) Part #: NK033AA	EM870AA*	EM870AA*	IWC stand (GN783AA) required	EM870AA*	EM870AA*
LE1901w (19-inch diagonal widescreen) Part #: NK570AA	EM870AA*	EM870AA*	IWC stand (GN783AA) required	EM870AA*	EM870AA*
LE2001w (20-inch diagonal widescreen) Part #: NK128AA	EM870AA*	EM870AA*	IWC stand (GN783AA) required	EM870AA*	EM870AA*
LE2201w (22-inch diagonal widescreen) Part #: NK571AA	EM870AA*	EM870AA*	IWC stand (GN783AA) required	EM870AA*	EM870AA*
Advantage series: Advanced performance and user-comfort features					

Overview

L1750 (17-inch diagonal) Part #: GF904AA, GF904A2 (TAA compliant/US only)	EM870AA*	EM870AA*	IWC stand (GN783AA) required	EM870AA*	EM870AA*
L1950g (19-inch diagonal) Part # KR145AA and KR145A2 (TAA compliant/US only)	EM870AA*	EM870AA*	IWC stand (GN783AA) required	EM870AA*	EM870AA*
L1945w and L1945wv (19-inch diagonal widescreen) Part#: KD286AA (w) and KH128AA (wv)	EM870AA*	EM870AA*	IWC stand (GN783AA) required	EM870AA*	EM870AA*
L2045w (20-inch diagonal widescreen) Part #: RB145AA	EM870AA*	EM870AA*	EM870AA**	EM870AA*	EM870AA*
L2245wg (22-inch diagonal widescreen) Part #: FL472AA	EM870AA*	EM870AA*	IWC stand (GN783AA) required	EM870AA*	EM870AA*
L2445w (24-inch diagonal widescreen) Part #: KT931AA	EM870AA*	EM870AA*	Not available	EM870AA*	EM870AA*

Performance series: premier presentation features

NOTE: Each of the Performance series monitors ships with one HP Quick Release built into its stand.

LP1965 (19-inch diagonal) Part #: RA373AA, RA374AA	EM870AA	EM870AA	EM870AA**	EM870AA	EM870AA
LP2065 (20-inch diagonal) Part #: EF227A4	EM870AA	EM870AA	EM870AA**	EM870AA	EM870AA
LP2275w (22-inch diagonal widescreen) Part #: KE289A4	EM870AA	EM870AA	EM870AA**	EM870AA	EM870AA
LP2475w (24-inch diagonal widescreen) Part #: KD911A4	EM870AA	EM870AA	EM870AA**	Not available	Not available
LP2480zx (24-inch diagonal widescreen) Part #: GV546A4	EM870AA	EM870AA	Not available	Not available	Not available
LP3065 (30-inch diagonal widescreen) Part #: EZ320A4	EM870AA	Not available	Not available	Not available	Not available

*Requires removal of the monitor head from the monitor stand prior to mounting HP Quick Release.

**Requires use of a second HP Quick Release attached to the base of the monitor stand.

Compatible thin clients



Overview

HP Compaq t5135 Thin Client	Part #: RK271AA#ABA, RK271AT#ABA, RM081AA#ABA
HP t5145 Thin Client	Part #: FQ800AA#ABA, FQ800AT#ABA
HP Compaq t5530 Thin Client	Part #: RK270AA#ABA, RK270AT#XXX, RM080AA#ABA
HP t5540 Thin Client	Part #: FQ799AA#ABA, FQ799AT#ABA, FS436AA#ABA
HP t5545 Thin Client	Part #: FQ798AA#ABA, FQ798AT#ABA
HP t5630 Thin Client	Part #: FQ801AA#ABA, FQ801AT#ABA, FS437AA#ABA
HP Compaq t5730 Thin Client	Part #: KD219AA#ABA, KD219AT#ABA, GY366AA#ABA, GY227AA#ABA, GY227AT#ABA, GY367AA#ABA, GY228AA#ABA, KH995AA#ABA, GY229AA#ABA, GY230AA#ABA
HP Compaq t5735 Thin Client	Part #: GY231AA#ABA, GY231AT#ABA, GY368AA#ABA
HP gt7725 Thin Client	Part #: NG815AA, NG816AA
Compatible PC	HP Compaq dc7800 or dc7900 Ultra-slim Desktop PC

Service and Support

The HP LCD Monitor Quick Release has a one-year limited warranty when purchase separately as an AMO. The HP Quick Release that is included in the stand of each HP Performance Series monitors carries that monitor's three-year warranty. Technical support is available seven days a week, 24 hours a day, by phone, as well as online support forums. Certain restrictions and exclusions apply.

Technical Specifications

Mechanical	Dimensions (H x W x D)	Packaged	7.8 x 6.25 x 1.5 in (19.8 x 15.9 x 3.8 cm)
		Unpackaged	6.3 x 5.2 x 0.65 in (16 x 13.2 x 1.65 cm)
	Weight	Packaged	1.1 lb (0.49 kg)
		Unpackaged	0.82 lb (0.37 kg)
Additional Components	<ul style="list-style-type: none">• Eight 10 mm mounting screws (for attachment to VESA compliant monitor mounts)• Eight 15.5 mm mounting screws (for attachment to HP thin client products)• Four 20 mm mounting screws (for attachment to back of select HP LCD monitor stands)• One Quick Release "locking" screw		
Color	Carbonite		
Notes	<ol style="list-style-type: none">1. No HP monitors allow positioning of a thin client product between a monitor screen and its stand.2. The Quick Release device is not to be used between a monitor screen and its stand unless provided that way from the factory.3. Under no circumstances is the Quick Release device intended to be used in an orientation where the Release/Lock lever is oriented downward.		
Supported Weight Capacity	The HP Quick Release has been designed to support a maximum of up to 24 lbs (10.9 kg) depending upon the mounting configuration used. Please note this is a total weight limit for all devices mounted, i.e. the combined weight of the monitor and a second device such as an HP thin client product cannot exceed 24 pounds. Because mounting surfaces vary widely and the final mounting method and configuration may vary, mounting fasteners are not supplied (other than the VESA-compliant screws). HP recommends that you consult with a qualified engineering, architectural or construction professional to determine the appropriate type and quantity of mounting fasteners required for your application and to ensure that your mounting solution is properly installed to support applied loads.		

© 2009 Hewlett-Packard Development Company, L.P.

HP shall not be liable for technical or editorial errors or omissions contained herein. The information is provided as is without warranty of any kind and is subject to change without notice. The warranties for HP products are set forth in the express limited warranty statements accompanying such products. Nothing herein should be construed as constituting an additional warranty. All performance specifications are provided by the component manufacturer. Performance specifications represent component manufacturer averages and actual performance may vary.