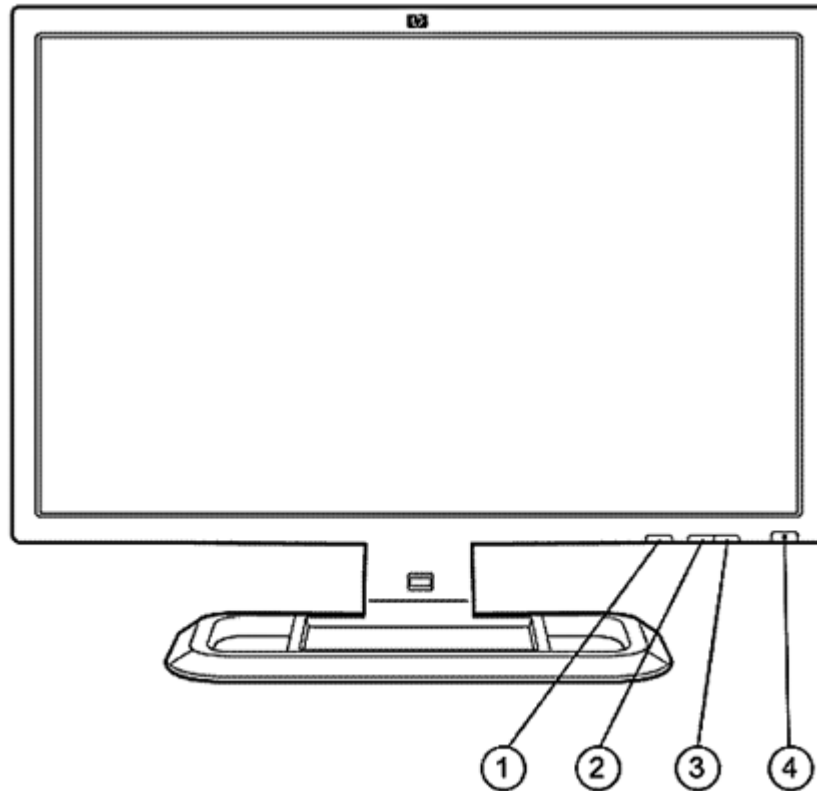


### Overview



1. Input select
2. Brightness down
3. Brightness up
4. Power on or off

### Models

Workstation Volume and Business Desktop Channel

EZ320A4#ABA

### HP Care Pack Services

4 Year Next Business Day Warranty Extension

UE369E

5 Year Next Business Day Warranty Extension

UE370E

### Technical Specifications

Panel	Type	30.0-inch Wide Format Active Matrix TFT (thin film transistor)	
	Viewable Image Area (diagonal)	29.77 in (75.623 cm)	
	Screen Opening (WxH)	25.3 x 15.8 in (64.3 x 40.3 cm)	
	Panel Type	IPS	
	Aspect Ratio	16:10	
	Viewing Angle (typical) <sup>1</sup>	Up to 178° H/ 178° V (10:1 minimum contrast ratio)	
	Brightness (typical) <sup>1</sup>	370 nits (cd/m <sup>2</sup> )	
	Contrast Ratio (typical) <sup>1</sup>	1000:1	
	Dynamic Contrast Ratio (typical) <sup>1</sup>	3000:1	
	Response Rate (typical) <sup>1</sup>	12 ms (5 ms average gray to gray)	
	Pixel Pitch	0.250 mm	
	Backlight Lamp Life (to half brightness)	40K hours	
	Color Gamut	102% of NTSC	
	Bezel Width	24 mm (left and right)	
	User Controls	Buttons and Switches	Input select, brightness up, brightness down, power
		User Controls	Brightness, input selection
	Signal Interface/ Performance	Horizontal Frequency	100 KHz
Vertical Frequency		60 Hz	
Native Resolution		2560 x 1600 @ 60 Hz (native aspect ratio of 16:10) <sup>2</sup>	
Pixel Clock Speed		275 MHz	
Anti-Glare		Yes	
Anti-Static		Yes	
Default Color Temperature		6500 K	
Video/Other Inputs	Plug and Play	Yes	
	Self Powered USB 2.0 Hub	One upstream, four downstream ports (located on side of monitor, cable included)	
	Input Connectors	Three dual-link DVI-D inputs with HDCP over digital DVI <sup>2</sup>	
	Video Cable	Two dual-link DVI cables	
	Video Cable Length	5.9 ft (1.8 m)	
Power	Input Power	Auto-Ranging, 100 to 240 VAC; internal power supply, 50 Hz/60 Hz	
	Typical Power Consumption	132 watts	
	Maximum	< 176 watts	
	Power Saving	< 2 watts	
	Power Cable Length	5.9 ft (1.8 m)	

### Technical Specifications

Mechanical	Dimensions (H x W x D)	Unpacked	19.3 to 23.2 x 27.2 x 9.5 in (49.0 to 59.0 x 69.2 x 24.0 cm)
		Unpacked w/o stand (head only)	17.9 x 27.2 x 3.3 in (45.5 x 69.2 x 8.4 cm)
		Packaged	22.4 x 31.1 x 14.9 in (56.8 x 79.0 x 37.8 cm)
	Weight	Unpacked	30.6 lbs (13.9 kg)
		Head only	21.8 lbs (9.9 kg)
	Tilt Range	-5° to + 30° vertical	
	Swivel Range	-45° to + 45°	
	Height Adjustable	Yes, range 5.1 in (100 mm)	
	Pivot Rotation	No	
	Base	Detachable, ships detached	
Environmental	Temperature – Operating	46° to 95° F (10° to 35° C)	
	Temperature – Non-operating	6° to 140° F (-10° to 60° C)	
	Humidity – Operating	20% to 80% non-condensing	
	Humidity – Non-operating	5% to 85%	
	Altitude – Operating	+12,000 ft (3657.6 m)	
	Altitude – Non-operating	+40,000 ft (12,192 m)	
Environmental Data	Eco-Label Certifications and Declarations	<p>This product has received or is in the process of being certified to the following approvals and may be labeled with one or more of these marks:</p> <ul style="list-style-type: none"> <li>● IT Eco Declaration</li> <li>● TCO 99</li> <li>● Taiwan Green Mark</li> <li>● CECP</li> <li>● Korea Eco-label</li> </ul>	
	Longevity and Upgrading	<p>Upgradeability features contained in the product include: One upstream and four downstream USB ports</p>	
Ergonomics	<p>The monitor meets the ergonomic requirement of EN-ISO 13406-2 for flat panel displays.</p>		
Additional Information	<p>This product is in compliance with the Restrictions of Hazardous Substances (RoHS) Directive, 2002/95/EC.</p> <p>This HP product is designed to comply with the Waste Electrical and Electronic Equipment (WEEE) Directive, 2002/96/EC.</p> <p>This product is in compliance with California Proposition 65 (State of California; Safe Drinking Water and Toxic Enforcement Act of 1986).</p>		

### Technical Specifications

This product is in compliance with the IEEE 1680 (EPEAT) standard at the SILVER level, see <http://www.epeat.net>.

Plastics parts weighing over 25 grams used in the product are marked per ISO 11469 and ISO1043.

Display meets the requirement for low frequency electromagnetic fields per TCO and prEN50279 A/B/C.

This product contains 0% recycled materials (by wt.)

This product is 97.6% recyclable when properly disposed of at end of life.

#### Packaging Materials

- Corrugated Paper – 2.19 kg
- PE-LD Bags – 0.09 kg
- EPS Molded Foam – 1.07 kg

#### RoHS Compliance

Hewlett-Packard is committed to compliance with all applicable environmental laws and regulations, including the European Union Restriction of Hazardous Substances (RoHS) Directive. HP's goal is to exceed compliance obligations by meeting the requirements of the RoHS Directive on a worldwide basis. By July 1, 2006, RoHS substances will be virtually eliminated (virtually = to levels below legal limits) for all HP electronic products subject to the RoHS Directive, except where it is widely recognized that there is no technically feasible alternative (as indicated by an exemption under the EU RoHS Directive).

#### Material Usage

This product does not contain any of the following substances in excess of regulatory limits (refer to the HP General Specification for the Environment at [www.hp.com/hpinfo/globalcitizenship/environment/supplychain/gen\\_specifications.html](http://www.hp.com/hpinfo/globalcitizenship/environment/supplychain/gen_specifications.html)):

- Asbestos
- Certain Azo Colorants
- Certain Brominated Flame Retardants – may not be used as flame retardants in plastics
- Cadmium
- Chlorinated Hydrocarbons
- Chlorinated Paraffins
- Formaldehyde
- Halogenated Diphenyl Methanes
- Lead carbonates and sulfates
- Lead and Lead compounds
- Mercuric Oxide Batteries
- Nickel – finishes must not be used on the external surface designed to be frequently handled or carried by the user.
- Ozone Depleting Substances

### Technical Specifications

- Polybrominated Biphenyls (PBBs)
- Polybrominated Biphenyl Ethers (PBBEs)
- Polybrominated Biphenyl Oxides (PBBOs)
- Polychlorinated Biphenyl (PCB)
- Polychlorinated Terphenyls (PCT)
- Polyvinyl Chloride (PVC) – except for wires and cables, and certain retail packaging has been voluntarily removed from most applications.
- Radioactive Substances
- Tributyl Tin (TBT), Triphenyl Tin (TPT), Tributyl Tin Oxide (TBTO)

#### Packaging

HP follows these guidelines to decrease the environmental impact of product packaging:

- Eliminate the use of heavy metals such as lead, chromium, mercury and cadmium in packaging materials.
- Eliminate the use of ozone-depleting substances (ODS) in packaging materials.
- Design packaging materials for ease of disassembly.
- Maximize the use of post-consumer recycled content materials in packaging materials.
- Use readily recyclable packaging materials such as paper and corrugated materials.
- Reduce size and weight of packages to improve transportation fuel efficiency.
- Plastic packaging materials are marked according to ISO 11469 and DIN 6120 standards.

#### End-of-life Management and Recycling

Hewlett-Packard offers end-of-life HP product return and recycling programs in many geographic areas. To recycle your product, please go to: [www.hp.com/recycle](http://www.hp.com/recycle) or contact your nearest HP sales office. Products returned to HP will be recycled, recovered or disposed of in a responsible manner.

#### Hewlett-Packard Corporate Environmental Information

For more information about HP's commitment to the environment: Global Citizenship Report

[www.hp.com/hpinfo/globalcitizenship/gcreport/index.html](http://www.hp.com/hpinfo/globalcitizenship/gcreport/index.html)

Eco-label certifications

[www.hp.com/hpinfo/globalcitizenship/environment/productdesign/ecolabels.html](http://www.hp.com/hpinfo/globalcitizenship/environment/productdesign/ecolabels.html)

ISO 14001 certificates:

[www.hp.com/hpinfo/globalcitizenship/environment/operations/envmanagement.html](http://www.hp.com/hpinfo/globalcitizenship/environment/operations/envmanagement.html)

#### Options

HP LCD Speaker Bar—Part number: EE418AA

Powered directly by the monitor or PC, the Speaker Bar seamlessly attaches to the monitor's lower bezel to bring full audio support to select HP flat panel monitors. Features include dual speakers with full sound range and an external jack for headphones. Sold separately. For more information, refer to the HP LCD Speaker Bar QuickSpec.

### Technical Specifications

	<b>HP Security Lock-Part number PC766A</b>	Combines aircraft-grade steel and Kevlar fiber to securely lock down your monitor and help prevent theft.
<b>Other</b>	<b>Accessories Included</b>	Two dual link DVI-D to DVI-D cables – connects the graphic card's DVI-D digital connector to the monitor's input (DVI-D digital) connectors; power cord
	<b>User Guide Languages</b>	English, B. Portuguese, French, LA Spanish, Korean, S. Chinese, T. Chinese, Bahasa, Japanese, Danish, Finnish, German, Norwegian, Spanish, Swedish, Greek, Polish, Russian, Slovenian, Turkish
	<b>Warranty Languages</b>	English, Canadian French, LA Spanish, Brazilian Portuguese, Danish, German, Castilian Spanish, French, Italian, Dutch, Norwegian, Finnish, Swedish, Bahasa Indonesian, Korean, T. Chinese, S. Chinese
	<b>Color</b>	Carbonite
	<b>VESA External Mounting</b>	Yes (Standard 4 hole pattern, 100 mm)
	<b>Security Lock-Ready</b>	Yes
<b>Certification and Compliance</b>		Australian ACA Approval, Canadian Requirements/CSA, CE Marking, China CCIB/CCEE Approval, CISPR Requirements, Eastern European Approvals, FCC Approval, German Ergonomic (TUV and GS Mark), ISO 13406-2 Pixel Defect Guidelines, Mexican NOM Approval, MIC Requirements (New Zealand), Nordic Approvals (Nemko, Fimko, Demko, Semko), S. Korean MIC Approval, Taiwan BSMI Approval, TCO 99 (emissions, ergonomics, environment), TUV-Ergo, UL Listed, VCCI Approvals, Windows Vista® Premium Certification
<b>Compatibility</b>		Compatible with platforms using the VESA standard video modes. Recommended for use with HP products.
<b>Service and Warranty</b>		Three years parts, labor, and on-site service. 24-hour, 90-day, toll-free technical support. Replacement options may include second business day on-site service, or next business day direct replacement, at HP's sole discretion. <sup>3</sup> With direct replacement, HP will ship a replacement display product directly to you. Using the prepaid shipping labels provided, return your failed display to HP in the same packaging as the replacement. Certain restrictions and exclusions apply. For details see your product warranty or contact HP Customer Support.

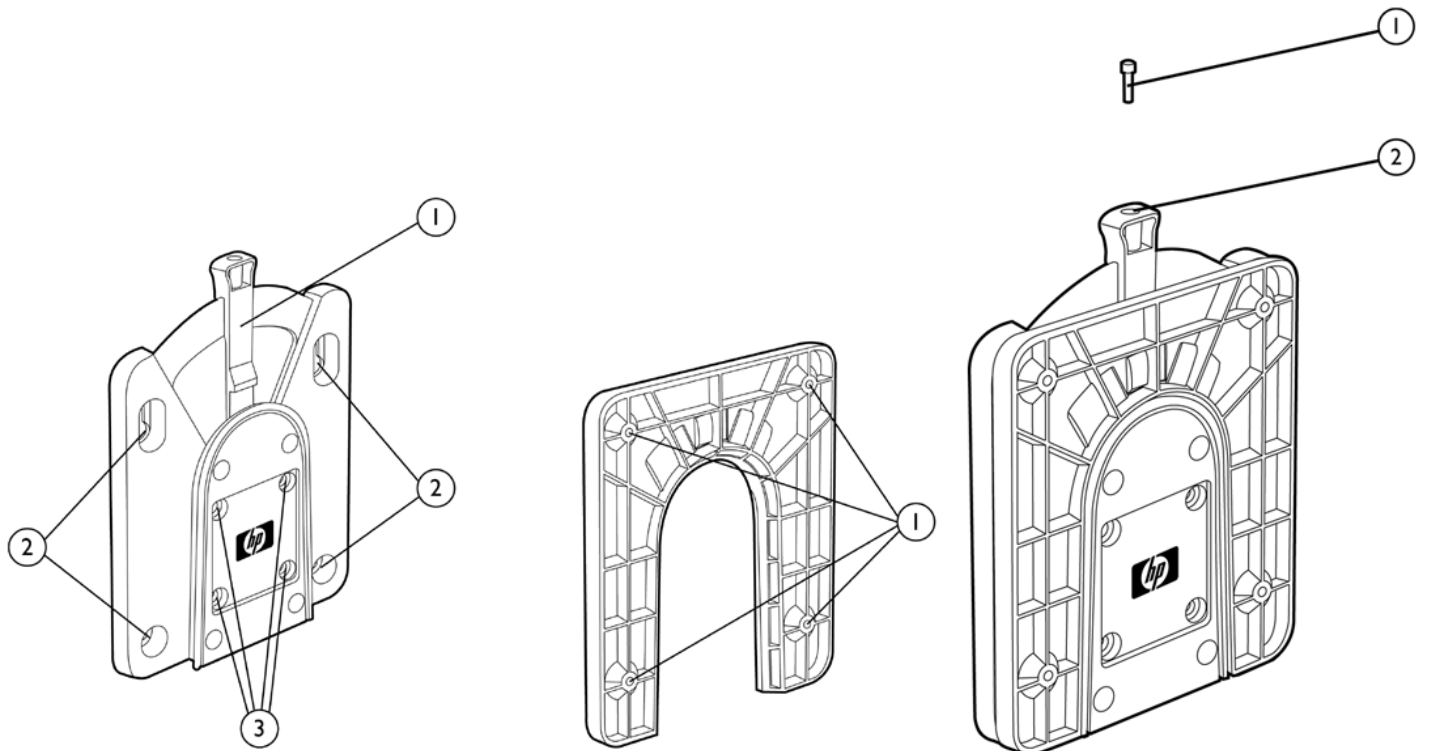


<sup>1</sup> All performance specifications represent the typical specifications provided by HP's component manufacturers; actual performance may vary either higher or lower.

<sup>2</sup> This is the only resolution supported by the monitor. Windows PC and graphics card that supports DVI ports with dual-link digital bandwidth and VESA DDC standard for plug-and-play setup requires a DVI-D dual-link graphic card that supports WQXGA (2560 x 1600) resolution.

<sup>3</sup> Service levels and response times for HP Care Pack Services may vary depending on your geographic location. Service starts from date of hardware purchase. Restrictions and limitations apply. HP Care Pack Services extend service contracts beyond the standard warranties. To choose the right level of service for your HP product, use the HP Care Pack Services Lookup Tool at: [www.hp.com/go/lookuptool](http://www.hp.com/go/lookuptool). Additional HP Care Pack Services information by product is available at: [www.hp.com/hps/carepack](http://www.hp.com/hps/carepack).

### Overview - HP LCD Monitor Quick Release (included)



1. Release/locking
2. Four 100 mm VESA mount screw holes
3. Mounting holes for attachment to back of HP LP1965, LP2065, and HP LP2465 monitor stands

1. Four 100 mm VESA mount screw holes

1. Locking pin screw
2. Locking pin hole on release/locking arm

## Introduction

The HP Quick Release, which ships standard with the HP LP3065 30-inch Widescreen LCD Monitor, is an easy to use, 100 mm VESA-compliant, flat panel monitor mounting solution that allows you to quickly and securely attach a flat panel monitor to a variety of stands, brackets, arms or wall mounts. HP Quick Release can also be used for mounting any combination of devices that are compatible with the 100 mm VESA Flat Display Mounting Interface Standard. The failsafe "Sure-Lock" mechanism snaps the monitor (or mounted device) securely in place, and can be further secured with a theft-deterrent security screw.

## Uniquely flexible product configurations

HP Quick Release enables uniquely flexible product configuration alternatives in a variety of settings, such as:

- Storefronts/kiosks: Mount flat panel monitors for easy viewing and add touchscreens for interactivity.
- Trade shows: Securely mount LCD TVs or monitors in common areas and quickly remove them for safekeeping at the end of the day.
- Front office environments: Minimize desk space requirements with wall or swing-arm mounting of monitors in reception areas.
- Training labs: Mount a monitor directly on a 100 mm VESA-compatible PC or an HP Thin Client for all-in-one convenience.
- Medical/institutional settings: Securely mount monitors in nursing stations and public areas.

## Overview - HP LCD Monitor Quick Release (included)

- Conference rooms: Mount projectors (with 100 mm VESA-compliant pre-drilled holes) on ceilings, and monitors on walls or tables.

### Technical Specifications - HP LCD Monitor Quick Release

Mechanical	Dimensions (H x W x D)	Packaged	7.8 x 6.25 x 1.5 in (19.8 x 15.9 x 3.8 cm)
		Unpackaged	6.3 x 5.2 x 0.65 in (16 x 13.2 x 1.65 cm)
	Weight	Packaged	1.1 lb (0.49 kg)
		Unpackaged	0.82 lb (0.37 kg)
Additional components	<ul style="list-style-type: none"><li>• Eight 10 mm mounting screws (for attachment to VESA compliant monitor mounts)</li><li>• Eight 15.5 mm mounting screws (for attachment to HP Thin Client products)</li><li>• Four 20 mm mounting screws (for attachment to back of select HP flat panel monitor stands)</li><li>• One Quick Release "locking" screw</li></ul>		
Color	Carbonite		
Notes	<ol style="list-style-type: none"><li>1. No HP monitors allow positioning of a thin client product between a monitor screen and its stand.</li><li>2. The Quick Release device is not to be used between a monitor screen and its stand unless provided that way from the factory.</li><li>3. Under no circumstances is the Quick Release device intended to be used in an orientation where the Release/Lock lever is oriented downward.</li></ol>		
Supported weight capacity	The HP Quick Release has been designed to support a maximum of up to 24 lbs (10.9 kg) depending upon the mounting configuration used. Please note this is a total weight limit for all devices mounted, i.e. the combined weight of the monitor and a second device such as an HP Thin Client cannot exceed 24 pounds. Because mounting surfaces vary widely and the final mounting method and configuration may vary, mounting fasteners are not supplied (other than the VESA-compliant screws). HP recommends that you consult with a qualified engineering, architectural or construction professional to determine the appropriate type and quantity of mounting fasteners required for your application and to ensure that your mounting solution is properly installed to support applied loads.		

© Copyright 2008 Hewlett-Packard Development Company, L.P.

Windows Vista is either a registered trademark or trademark of Microsoft Corporation in the United States and/or other countries.

HP shall not be liable for technical or editorial errors or omissions contained herein. The information is provided as is without warranty of any kind and is subject to change without notice. The warranties for HP products are set forth in the express limited warranty statements accompanying such products. Nothing herein should be construed as constituting an additional warranty. All performance specifications represent the typical specifications provided by HP's component manufacturers; actual performance may vary either higher or lower.