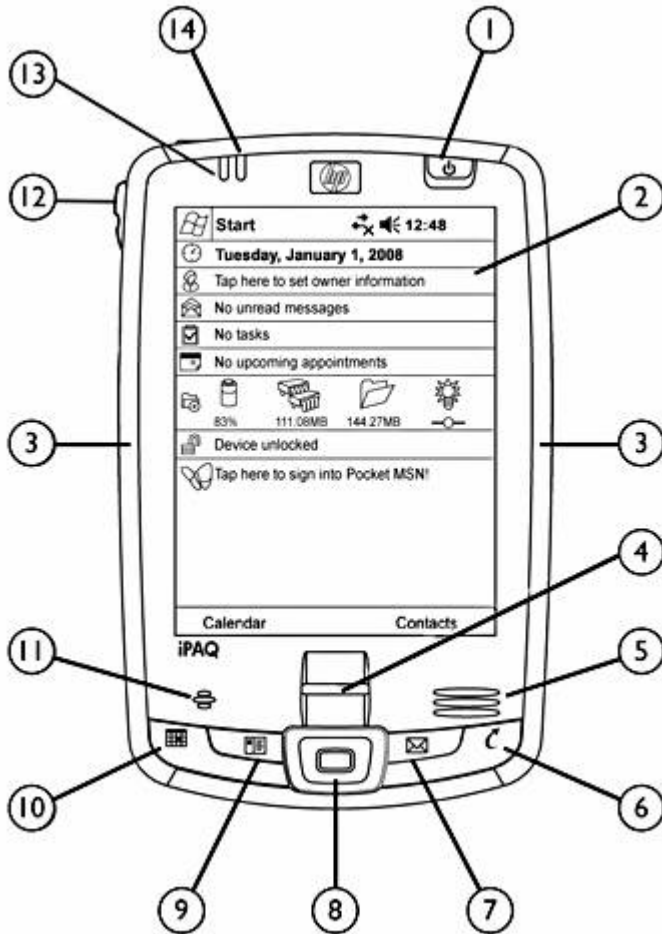
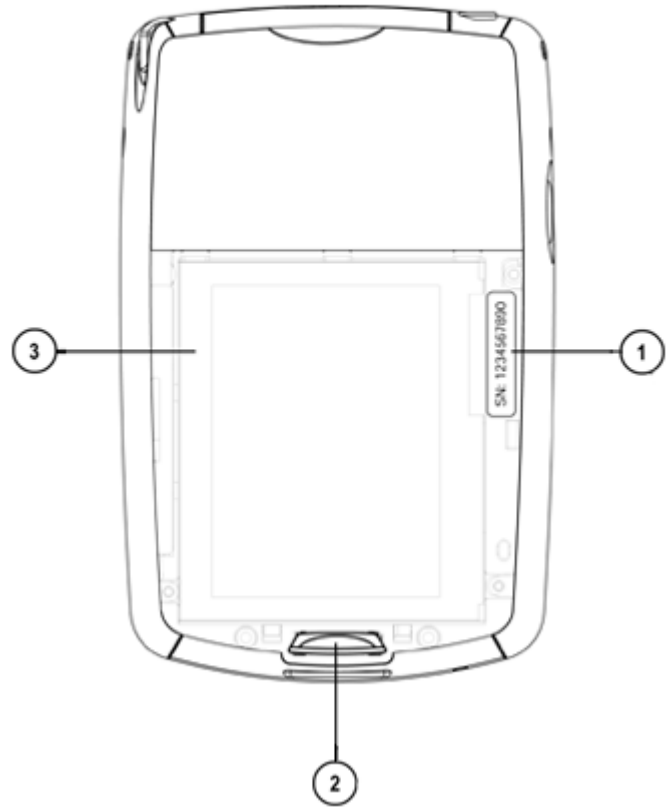


Overview



Front Image

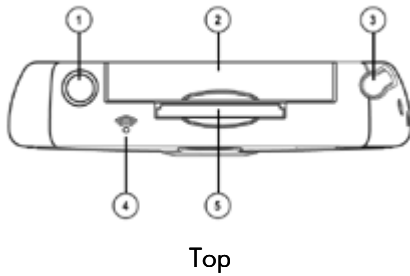
- | | |
|---------------------------------|--------------------------------|
| 1. Power Button | 8. 5-way Navigation Button |
| 2. Color Display | 9. Contacts Button |
| 3. Rubber Side Grips | 10. Calendar Button |
| 4. Biometric Fingerprint Reader | 11. Microphone |
| 5. Speaker | 12. Voice Record Button (side) |
| 6. iTask Button | 13. Wireless LED |
| 7. Messaging Button | 14. Charging/Notification LED |



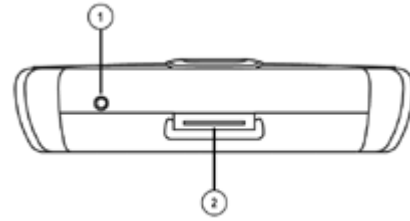
Back (with battery door removed)

- | |
|-------------------------------------|
| 1. Serial number under battery door |
| 2. Battery Door Cover Release |
| 3. Battery Door Cover |

Overview



Top



Bottom

1. Headphone/Headset Jack
2. Compact Flash (CF) Expansion Slot
3. Stylus
4. Serial IR (Infrared) Port
5. Secure Digital (SDIO) Expansion Slot

1. Reset Button
2. Charging/ActiveSync Connector

At A Glance

- Marvell PXA270 Processor 624 MHz
- 512MB flash ROM, 64 MB SDRAM (up to 512 MB user available memory)
- Integrated biometric fingerprint reader
- Integrated Wi-Fi (802.11b)¹
- Integrated Bluetooth® wireless technology¹
- Integrated Compact Flash type II (CF) and Secure Digital (SDIO) slots
- HP ProtectTools secured by Credant Technologies security application²
- 3.5" transfective TFT QVGA with 64K color LED backlight display, landscape and portrait display modes
- Windows Mobile® 5.0 Software for Pocket PC, Premium Edition
- Removable/rechargeable 1700 mAh battery
- Integrated Serial IR
- Protective plastic flip cover
- Windows Mobile Office Outlook®, Word, Excel, and PowerPoint

NOTES:

¹ A standard WLAN (Wi-Fi) infrastructure, other Bluetooth-enabled devices, separately purchased equipment, and a service contract with a wireless airtime provider may be required for applicable wireless communication. Wireless Internet use requires a separately purchased service contract. Check with wireless network service providers for availability and coverage in your area. Not all web content available.

² User must have HP ProtectTools features enabled.

Standard Features

Models

iPAQ Pocket PC hx2790c – 512MB flash ROM, 64 MB SDRAM, Wi-Fi (802.11b), Bluetooth, Serial IR and Biometrics security

FB103AA #ABA – US Commercial, English

FB103AA #B16 – Latin American Spanish

FB103AA #AC4 – Brazilian Portuguese

FB103AA #AC8 – Argentina, LA Spanish

FB103AA #UUF – Asia Pacific English

FB103AA #ABG – Australia, New Zealand

FB103AA #ARE – Malaysia English

FB103AA #AB0 – Taiwan – Traditional Chinese

FB103AA #AB2 – Simplified Chinese

FB103AA #AB5 – Hong Kong Traditional Chinese

FB103AA #AB1 – Korea

FB103AA B#ABJ – Japan

FB103AA#ACJ – India English

Processor	Marvell PXA270 Processor 624 MHz NOTE: Processor numbering is not a measurement of higher performance.
------------------	--

Memory	576 MB total memory (512 MB ROM and 64 MB SDRAM) Up to 512 MB user available persistent storage memory
---------------	---

Display	Type	Transflective TFT QVGA color with LED backlight with power save mode
	Modes	Portrait and landscape
	Number of Colors	64K color (65,536 colors) 16-bit
	Touch Screen	Yes
	Resolution (W x H)	240 x 320 pixels
	Dot Pitch	0.24 mm
	Viewable Image Size	3.5 in (89 mm)

Hardware Buttons/ Reset Buttons	Power, soft reset, 5-way navigation, voice record, calendar, contacts, messaging, and iTask buttons. (The last 5 buttons are re-programmable.)
--	---

Stylus	One – Included in the box
---------------	---------------------------

Audio	Integrated microphone, speaker and one 3.5 mm stereo headphone jack
--------------	---

Standard Features

Indicators	LED 1 – Power	Solid amber LED – battery in unit fully charged Flashing amber LED – battery in unit charging Flashing green – event alarm/notification		
	LED 2 – Wireless	Flashing blue LED – wireless radio enabled		
Cradle Interfaces	Connector	1 – 22 pin		
	DC Power jack connector for AC/DC Adapter connection	1		
Other Interfaces	IrDA (SIR)			
	USB 2.0 Client – supported via HP standard 22 pin cradle interface Serial RS232 – supported via HP standard 22 pin cable interface (cable must be purchased separately) NOTE: Some HP authorized options may not be supported. See http://www.hp.com/go/ipaqaccessories .			
SD Slot	Support 1-bit SDIO and 4-bit SD/MMC type memory standard			
CF Slot	1 Type II			
Power Supply	Battery	Removable/rechargeable 1700 mAh Lithium-Ion (user changeable). Optional extended 2880 mAh Lithium-Ion battery available for purchase (http://www.hp.com/go/ipaqaccessories).		
	AC Power	AC Input: 100~240 Vac, 50/60 Hz, AC Input current: 0.3 Aac max Output Voltage: 5Vdc (typical), Output Current: 2A (typical) NOTE: Battery run time varies based on the usage pattern of an individual user and the configuration of the handheld. Use of internal wireless capabilities and backlight will significantly decrease battery run time.		
AC Adapter	Dimensions (H x W xD)	3 x 1.9 x 1.8 in (76 x 48 x 44 mm – including prongs), (may vary by model)		
	Cord Length (approx.)	6 ft (1.83 m)		
	Power Supply Ratings	Voltage Range	100 to 240 V Switching	
		Input Current	0.3 Aac	
		Input Frequency	50 to 60 Hz	
Output Voltage		5 VDC		
Output Current	2 Amp			

Standard Features

System Unit	Dimensions (H x W x D)	4.71 x 3.01 x .65 in (119.4 x 76.6 x 16.3 mm)	
	Weight	5.8 oz (164.4 g)	
	Operating Temperature	32° to 104° F (0° to 40° C)	
	Storage Temperature	-4° to 140° F (-20° to 60° C)	
	Operating Humidity	90% RH	
	Regulatory Marks	Electrical	FCC Class B, UL or CSA NRTL
		Safety	C-UL, NOM

Design Features 4 programmable application quick-launch buttons, 5-way navigation button, touch-sensitive display for stylus or fingertip, voice record button, microphone and speaker, biometric fingerprint reader, rubber sides for comfortable grip

Operating System Windows Mobile® 5.0 for Pocket PC, Premium Edition
Windows Mobile Office Outlook®, Word®, Excel®, PowerPoint®, Media® Player, and Internet Explorer®

Operating System Applications Calendar, Contacts, Messaging (with Spell Checker for email), Tasks, Voice Recorder, Notes, Word Mobile (with Spellchecker), Excel Mobile, PowerPoint Mobile Internet Explorer Mobile, Windows Media Player 10 Mobile, Calculator, Solitaire, Jawbreaker, File Explorer, Terminal Services Client, Beam, Clock, Align Screen, Memory, Volume.

In the box HP iPAQ hx2790c Pocket PC, lithium-ion 1700 mAh removable/rechargeable battery, AC adapter, charger adapter USB desktop synchronization cradle, stylus, protective plastic flip cover, HP iPAQ Product Information Guide and HP iPAQ Getting Started disc.

Service and Support One-year parts and labor in most regions; 90 days technical support for software in most regions. Additional offers may vary by region.

Standard Features

- HP Exclusive Applications**
- HP ProtectTools secured by Credant Technologies: help secure your device and your data²
 - Bluetooth Phone Manager: connect to a Bluetooth enabled phone and browse the Internet ^{1,3,4}
 - Bluetooth Manager: manage your Bluetooth connections and settings
 - iPAQ Wireless: manage your wireless connections
 - iTask: launch and switch between tasks and applications
 - HP Image Zone for Pocket PC: view images and create slide shows
 - Utilities: Self Test, iPAQ Audio, Power Status, Certificate Enroller

NOTES:

¹A standard WLAN (Wi-Fi) infrastructure, other Bluetooth-enabled devices, separately purchased equipment, and a service contract with a wireless airtime provider may be required for applicable wireless communication. Wireless Internet use requires a separately purchased service contract. Check with wireless network service providers for availability and coverage in your area. Not all web content available.

²User must have HP ProtectTools features enabled.

³Requires Bluetooth enabled mobile, separately purchased wireless carrier/Internet service plan(s) and supporting IT infrastructure.

⁴Telephone service requires separately purchased contract with a telephone service provider with coverage in your service area.

Getting Started Disc from HP

Applications	Full Versions	Trial Versions
	ActiveSync 4.5	Audible Player
	Adobe Reader for PC	
	BVRP Live Update	
	Funk Odyssey® Client for Windows Mobile™	
	Windows Media Player 10	
CD Links	Handango, Microsoft	

Additional Documentation

Important Safety Information on PDF, and Additional Product Information on PDF

NOTE: Programs may vary based on model. Some programs are accessed through CD links to download web sites.

Wi-Fi (802.11b) Specifications^{1,5}

Technology	High-speed wireless access to the Internet, email and corporate data
RF Network Standard	IEEE 802 Part 11b (802.11b)
Frequency Band	2.4000 to 2.4835 GHz 2.4465 to 2.4835 GHz (France) 2.4000 to 2.497 GHz (Japan)
Antenna Type	Embedded Antenna
Security	WEP 64/128-bit compliant to IEEE 802.11 Compliant to 802.1X (EAP-TLS, PEAP) LEAP, WPA
Network Architecture Models	Ad-hoc (Peer to Peer) Infrastructure (Access Points Required)
Modulation Technique	Direct Sequence Spread Spectrum
Modulation Schemes	DBPSK, DQPSK, CCK

Standard Features

Receiver Sensitivity – Packet Error Rate (8E-2)	11 Mbps: <-80 dBm 5.5 Mbps: <-82 dBm 2 Mbps: <-86 dBm 1 Mbps: <-89 dBm
Maximum Receive Level	-10dBm (1/2/5.5/11 Mbps)
Output Power	15 dBm
Power Management	Radio On/Off control through iPAQ wireless Power Save mode available in Power Settings
Power Consumption	Transfer mode: < 300 mA, average Receive mode: < 200 mA, average
Power Saving Option	802.11 Compliant Power Saving, idle mode 20 mA
Media Access Protocol	CSMA/CA (Collision Avoidance) with ACK
Protocols Supported	TCP/IP IPX/SPX UDP
Operating Distance	Up to 1000 feet – Open sight
Certifications	All necessary regulatory approvals for countries we support including: WECA Wi-Fi approval FCC (47 CFR) Part 15C, Section 15.247&15.249 ETS 300 328, ETS xxx 489-6 Low Voltage Directive IEC950 UL, CSA, and CE Mark

NOTES:

¹ A standard WLAN (Wi-Fi) infrastructure, other Bluetooth-enabled devices, separately purchased equipment, and a service contract with a wireless airtime provider may be required for applicable wireless communication. Wireless Internet use requires a separately purchased service contract. Check with wireless network service providers for availability and coverage in your area. Not all web content available.

⁵ Wireless access point required and is not included. Availability of public wireless access points limited. Wireless Internet use may require separately purchased Internet service contract.

Bluetooth® Specifications¹

Technology	High-speed, low-power, short-range wireless communication with other Bluetooth devices
Bluetooth specification	1.2 compliant (2.4-GHz Industrial Scientific Medical Band)
System interface	High-speed UART processor interface
User Interface	Bluetooth Manager
Device type	Class II device; up to 4 dBm transmit, typical 10 meter range
Power	3.3V 5% Peak current – typical TX current at approximately 30 mA – typical RX current at approximately 50 mA
Receiver sensitivity	-83 dBm
Regulatory standards	R&TT#-EN 300 328 and EN 300 826, UL 1950, CB Safety Scheme inclusive of EN 60950 and IEC 950, FCC Part 15 subpart C, Canadian, CE
Profile Support	General Access Profile

Standard Features

Service Discovery Application Profile
Serial Port Profile
Generic Object Exchange Profile
File Transfer Profile
Dial-Up Networking Profile
LAN Access Profile
Object Push Profile
Personal Area Networking Profile
Basic Printing Profile
Hard Copy Replacement Profile (printing)
Headset Support Profile
Human Interface Device Profile
Advanced Audio Distribution Profile
Audio Video Remote Control Profile
Hands Free Profile
Basic Imaging Profile

Usage Models

Service Discovery

Determine what Bluetooth devices are within range and support authorization

File Transfer

File and directory browsing and navigation on another Bluetooth device.
File copying
Object manipulation – including add, delete, create new folders etc.

Serial Port

Synchronization between PDAs and PCs

Dial Up Networking

Wireless link to WAN thru Bluetooth enabled cell phone^{1,2,3}
Agnostic to WAN technology
Send/receive SMS messages

LAN Access

Wireless link to Corporate LAN using Bluetooth and appropriate Bluetooth access point¹

Corporate email, network neighborhood, access to LAN applications, file transfer, ftp, Internet browsing, etc, using TCP/IP¹

Access the Internet by connecting to your desktop or notebook over Bluetooth and using its network connection¹

Generic Object Exchange and Object Push

Exchange business cards, tasks, documents, appointments and more¹

Personal Area Networking

Collaborate, chat, play games, exchange data¹

Adhoc peer to peer networking¹

Basic Printing and Hard Copy Replacement Profiles

Print to any HP Bluetooth enabled printer without the need for cables or specific print drivers

Certifications

All necessary regulatory approvals for countries supported including:
Bluetooth logo (FCC (47 CFR) Part 15C, Section 15.247&15.249 ETS 300 328, ETS xxx 489-1/17 Low Voltage Directive IEC950 UL and CE Mark)

NOTES:

¹A standard WLAN (Wi-Fi) infrastructure, other Bluetooth-enabled devices, separately purchased equipment, and a service contract with a wireless airtime provider may be required for applicable

Standard Features

wireless communication. Wireless Internet use requires a separately purchased service contract. Check with wireless network service providers for availability and coverage in your area. Not all web content available.

² Requires Bluetooth enabled mobile, separately purchased wireless carrier/Internet service plan(s) and supporting IT infrastructure.

³ Telephone service requires separately purchased contract with a telephone service provider with coverage in your service area.

Options

Memory/Storage	NOTE: Optional accessories are available at additional cost.	
	512MB Micro SD Memory Card incl. adaptors	FA875AA#AC3
	1GB Micro SD Memory Card incl. adaptors	FA876AA#AC3
	2GB Micro SD Memory Card incl. adaptors	FA877AA#AC3
	* Models with full-sized SD slots require the use of an SD adapter (included).	
Power	1700 mAh Lithium-Ion Standard Battery	FB031AA#AC3
	2880 mAh Lithium Ion Extended Battery	FA833AA#AC3
	HP iPAQ Automobile Adapter [while supply lasts]	FA690B#AC3
	HP iPAQ Charger Adapter [while supply lasts]	FA133A#AC3
	HP iPAQ AC Adapter (WW) [while supply lasts]	FA372B#AC3
	HP iPAQ Battery Charger [while supply lasts]	FA830AA#AC3
Synchronization	HP iPAQ Desktop Cradle [while supply lasts]	FA260B#AC3
	HP iPAQ AutoSync Cable (USB and Serial) [while supply lasts]	FA122A#AC3
Input Devices	HP iPAQ Stylus Kit Three-pack	FA261A#AC3
	HP iPAQ Foldable Keyboard	FA802AA#AC3
Headphones	HP iPAQ Bluetooth Stereo Headphones [while supply lasts]	FA303AA#AC3
Cases	HP iPAQ Premier Leather Case [while supply lasts]	FA662A#AC3
	HP iPAQ Rugged Case [while supply lasts]	FA288A#AC3
	HP iPAQ Nylon Slim Case	FA161A#AC3
	HP iPAQ Leather Belt Case	FA160A#AC3
	HP iPAQ Premier Leather Belt Case	FA350A#AC3
	Custom Cases: to view and order go to: http://www.casesonline.com	

Options

Services

NOTE: Service offering availability may differ by country.

Accidental Damage Protection	HP 1y Accidental Damage Protection NextBusDay Exch HH only SVC	UC280E
	HP 3y Accidental Damage Protection NextBusDay Exch HH only SVC	UC281E
	HP 1y Accidental Damage Protection Pickup and Return iPAQ Service	U7847E
	HP 3y Accidental Damage Protection Pickup and Return iPAQ Service	U7848E
Next Business Day Exchange	HP 3y Next Business Day Exchange iPAQ Service	U7845E
	HP 1y Next Business Day Exchange iPAQ Service	U7844E
Pickup and Return	HP 1y Pickup and Return iPAQ Service	U6572PE
	HP 2y Pickup and Return iPAQ Service	U7849E
	HP 3y Pickup and Return iPAQ Service	U7846E
	HP 4y Pickup and Return iPAQ Service	U7852E
	HP 5y Pickup and Return iPAQ Service	U9592E

For more information on HP iPAQ Handhelds, visit our website at: <http://www.hp.com/go/iPAQ>.

©Copyright 2008 Hewlett-Packard Development Company, L.P. The information contained herein is subject to change without notice. The only warranties for HP products and services are set forth in the express warranty statements accompanying such products and services. Nothing herein should be construed as constituting an additional warranty. HP shall not be liable for technical or editorial errors or omissions contained herein. Microsoft, Windows, and the Windows Logo are U.S. registered trademarks of Microsoft Corporation. Intel and the Intel inside logo are trademarks or registered trademarks of Intel Corporation or its subsidiaries in the U.S. and other countries.