



Digital Personal Workstations
V97-1.0—18 Sept 1997
 DIGITAL Systems and Options Catalog

Digital Personal Workstations feature

i-Series (Windows NT)

- Short-tower enclosure
- Pentium II 266 MHz
- 512KB cache
- 5 slots (2 PCI, 3 PCI/ISA)
- 4 SIMM banks (8 slots)
- 300W power supply
- 1.44MB floppy drive
- CD-ROM drive
- Adaptec UW SCSI controller
- On-board EIDE controller
- On-board 16-bit audio
- 10/100 BaseT Ethernet (twisted pair)
- Windows NT 4.0

a-Series (Windows NT)

- Short-tower enclosure
- Digital 21164 433/500/600MHz
- 0MB or 2MB cache
- 5 slots (2 PCI, 3 PCI/ISA)
- 3 DIMM banks (6 slots)
- 300W power supply
- 1.44MB floppy drive
- CD-ROM drive
- Qlogic UW SCSI controller (except in EIDE system)
- On-board EIDE controller
- On-board 16-bit audio
- 10/100 BaseT Ethernet (twisted pair & thinwire)
- Windows NT 4.0

au-Series (Windows NT)

- Short-tower enclosure
- Digital 21164 433/500/600MHz
- 0MB or 2MB cache
- 5 slots (2 PCI, 3 PCI/ISA)
- 3 DIMM banks (6 slots)
- 300W power supply
- 1.44MB floppy drive
- CD-ROM drive
- Qlogic UW SCSI controller (except in EIDE system)
- On-board EIDE controller for CD-ROM only
- On-board 16-bit audio
- 10/100 BaseT Ethernet (twisted pair & ThinWire)
- DIGITAL UNIX 4.0C

Step 1—DIGITAL Personal Workstations

Digital Personal Workstations are available through distribution partners. A list of eligible partners is available on DIGITAL Business Link or through a local DIGITAL Sales Office.

Digital Personal Workstations may be ordered as:

- System Building Blocks are designed for “a la carte” ordering and distributor integration. System Building Blocks contain a system kernel, minimum of 64 MB memory (except for Intel Workstations), Ultra SCSI disk controller (except for an EIDE system building block), 4.3 GB SCSI hard disk drive, and factory-installed Windows NT or DIGITAL UNIX operating system.
- Packaged Systems are designed for ease of ordering and stocking. Packaged Systems contain a system kernel, a minimum of 64 MB memory, Ultra SCSI disk controller, 4.3GB SCSI hard disk drive, graphics card, and factory-installed Windows NT or DIGITAL UNIX operating system.

System Building Blocks

- Selection of a System and Country Kit from Steps 1 and 2 are mandatory
- Additional options in Steps 3 through 11 are optional.

i-series

Order Number	CPU	Operating System	Memory / Cache	Graphics	Controller	Hard Disk Drive
SN-B31WW-T4	266i	Windows NT 4.0	32 MB / 512 KB	—	IDE+	4.3 GB EIDE disk
SN-B31WW-T3	266i	Windows NT 4.0	64 MB / 512 MB	—	Ultra SCSI	4.3 GB SCSI disk

Step 1—DIGITAL Personal Workstations (*continued*)

System Building Blocks

- .. Selection of a System and Country Kit from Steps 1 and 2 are mandatory
- .. Additional options in Steps 3 through 11 are optional.

a-series

Order Number	CPU	Operating System	Memory / Cache	Graphics	Controller	Hard Disk Drive
SN-B3AAP-SB	433a	Windows NT 4.0	64 MB / 0 MB	—	Ultra SCSI	4.3 GB SCSI disk
SN-B3AAP-SH	433a	Windows NT 4.0	512 MB / 0 MB	—	Ultra SCSI	4.3 GB SCSI disk
SN-B3DAP-SB	500a	Windows NT 4.0	64 MB / 0 MB	—	Ultra SCSI	4.3 GB SCSI disk
SN-B3DAP-SH	500a	Windows NT 4.0	512 MB / 0 MB	—	Ultra SCSI	4.3 GB SCSI disk
SN-B3EAP-SB	600a	Windows NT 4.0	64 MB / 0 MB	—	Ultra SCSI	4.3 GB SCSI disk
SN-B3EAP-SH	600a	Windows NT 4.0	512 MB / 0 MB	—	Ultra SCSI	4.3 GB SCSI disk

au-series

SN-B3AAU-SB	433au	DIGITAL UNIX	64 MB / 0 MB,	—	Ultra SCSI	4.3 GB SCSI disk
SN-B3AAU-SH	433au	DIGITAL UNIX	512 MB / 0 MB	—	Ultra SCSI	4.3 GB SCSI disk
SN-B3AAU-WL	433au	DIGITAL UNIX	64 MB / 2 MB	—	Ultra SCSI	4.3 GB SCSI disk
SN-B3DAU-SB	500au	DIGITAL UNIX	64 MB / 0 MB	—	Ultra SCSI	4.3 GB SCSI disk
SN-B3DAU-SH	500au	DIGITAL UNIX	512 MB / 0 MB	—	Ultra SCSI	4.3 GB SCSI disk
SN-B3EAU-SB	600au	DIGITAL UNIX	64 MB / 0 MB	—	Ultra SCSI	4.3 GB SCSI disk
SN-B3EAU-SH	600au	DIGITAL UNIX	512 MB / 0 MB	—	Ultra SCSI	4.3 GB SCSI disk

Packaged Systems

- .. Selection of a System and Country Kit from Steps 1 and 2 are mandatory.
- .. Additional options in Steps 3 through 11 are optional.
- .. Bulk Package System must include Country Kits equal to the total number of systems ordered.

i-Series

Order Number	CPU	Operating System	Memory / Cache	Graphics	Controller	Hard Disk Drive
SN-B34WW-FL	266i	Windows NT 4.0	64 MB / 512 MB	Millenium II	Ultra SCSI	4.3 GB SCSI disk
SN-B37WW-FK	266i	Windows NT 4.0	64 MB / 512 MB	AccelPro	Ultra SCSI	4.3 GB SCSI disk
SN-B37WW-FL	266i	Windows NT 4.0	64 MB / 512 MB	PowerStorm	Ultra SCSI	4.3 GB SCSI disk

a-Series

SN-B3AAP-AB	433a	Windows NT 4.0	64 MB / 0 MB	Millenium II	Ultra SCSI	4.3 GB SCSI disk
SN-B3AAP-FB	433a	Windows NT 4.0	64 MB / 0 MB	PowerStorm 4D30T	Ultra SCSI	4.3 GB SCSI disk
SN-B3DAP-AB	500a	Windows NT 4.0	64 MB / 0 MB	Millenium II	Ultra SCSI	4.3 GB SCSI disk
SN-B3DAP-FB	500a	Windows NT 4.0	64 MB / 0 MB	PowerStorm 4D30T	Ultra SCSI	4.3 GB SCSI disk

Step 2—Country Kit

- .. Country Kit includes two country-specific power cords, user documentation, mouse, operating system license, media and documentation. Country kit ordered determines language of operating system factory installed.
- .. Country kit must be ordered for system to be operational. Only one country kit allowed per system.
- .. Bulk system orders must include Country Kits equal to the total number of systems ordered.

Intel Windows NT 4.0 Country Kits	Alpha Windows NT 4.0 Country Kits	Windows NT 4.0 Language	DIGITAL UNIX 4.0C Country Kits	DIGITAL UNIX 4.0C Language	
Americas					
SN-PBB5P-AA	SN-PBB4P-AA	English	SN-PBB4U-AA	English	United States
SN-PBB5P-AC	SN-PBB4P-AC	French	SN-PBB4UAC	English	French Canada
SN-PBB5P-AR	SN-PBB4P-AR	Spanish	SN-PBB4U-AR	English	LACR-Spanish
SN-PBB5P-AX	SN-PBB4P-AX	English	SN-PBB4U-AX	English	US government
Europe					
SN-PBB5P-AB	SN-PBB4P-AB	English	SN-PBB4U-AB	English	Belgium
SN-PBB5P-AD	SN-PBB4P-AD	Danish	SN-PBB4U-AD	English	Denmark
SN-PBB5P-AE	SN-PBB4P-AE	English	SN-PBB4U-AE	English	United Kingdom
SN-PBB5P-AF	SN-PBB4P-AF	Finish	SN-PBB4U-AF	English	Finland
SN-PBB5P-AG	SN-PBB4P-AG	German	SN-PBB4U-AG	English	Germany
SN-PBB5P-AH	SN-PBB4P-AH	Dutch	SN-PBB4U-AH	English	Netherlands
SN-PBB5P-AI	SN-PBB4P-AI	Italian	SN-PBB4U-AI	English	Italy
SN-PBB5P-AK	SN-PBB4P-AK	French	SN-PBB4U-AK	English	Switzerland
SN-PBB5P-AL	SN-PBB4P-AL	German	SN-PBB4U-AL	English	Switzerland/Germany
SN-PBB5P-AM	SN-PBB4P-AM	Swedish	SN-PBB4U-AM	English	Sweden
SN-PBB5P-AN	SN-PBB4P-AN	Norwegian	SN-PBB4U-AN	English	Norway
SN-PBB5P-AP	SN-PBB4P-AP	French	SN-PBB4U-AP	English	France
SN-PBB5P-AS	SN-PBB4P-AS	Spanish	SN-PBB4U-AS	English	Spain
SN-PBB5P-AT	SN-PBB4P-AT	English	SN-PBB4U-AT	English	Israel
SN-PBB5P-AV	SN-PBB4P-AV	English	SN-PBB4U-AV	English	Portugal
SN-PBB5P-BH	SN-PBB4P-BH	English	SN-PBB4U-BH	English	Greece
SN-PBB5P-BP	SN-PBB4P-BP	Polish	SN-PBB4U-BP	English	Poland
SN-PBB5P-BQ	SN-PBB4P-BQ	English	SN-PBB4U-BQ	English	Hungary
SN-PBB5P-BR	SN-PBB4P-BR	Arabic	SN-PBB4U-BR	English	Arabic
SN-PBB5P-BT	SN-PBB4P-BT	Russian	SN-PBB4U-BT	English	Russia
SN-PBB5P-BU	SN-PBB4P-BU	English	SN-PBB4U-BU	English	Turkey
SN-PBB5P-BV	SN-PBB4P-BV	English	SN-PBB4U-BV	English	Slovak
	SN-PBB4P-BY	English	SN-PBB4U-BY	English	Serbia
SN-PBB5P-CQ	SN-PBB4P-CQ	English	SN-PBB4U-CQ	English	Iceland
SN-PBB5P-CZ	SN-PBB4P-CZ	Czech	SN-PBB4U-CZ	English	Czech Republic
SN-PBB5P-EC	SN-PBB4P-EC	English	SN-PBB4U-EC	English	European
Asia Pacific					
SN-PBB5P-AJ	SN-PBB4P-AJ	Japanese	SN-PBB4U-AJ	English	Japan
SN-PBB5P-BI	SN-PBB4P-BI	Trad. Chinese	SN-PBB4U-BI	English	Taiwan
SN-PBB5P-BK	SN-PBB4P-BK	Korean	SN-PBB4U-BK	English	South Korea
SN-PBB5P-CA	SN-PBB4P-CA	English	SN-PBB4U-CA	English	Far East
SN-PBB5P-CE	SN-PBB4P-CE	English	SN-PBB4U-CE	English	Philippines
SN-PBB5P-CG	SN-PBB4P-CG	English	SN-PBB4U-CG	English	Vietnam
SN-PBB5P-CP	SN-PBB4P-CP	English	SN-PBB4U-CP	English	Thailand
SN-PBB5P-CV	SN-PBB4P-CV	Simp. Chinese	SN-PBB4U-CV	English	China

Step 3—Keyboards (Optional)

Americas

SN-LK97W-AA	United States
SN-LK97W-AC	French Canada
SN-LK97W-AS	LACR-Spanish

Europe

SN-LK97W-AB	Belgium
SN-LK97W-AD	Denmark
SN-LK97W-AE	United Kingdom
SN-LK97W-AF	Finland
SN-LK97W-AG	Germany
SN-LK97W-AH	Netherlands
SN-LK97W-AI	Italy
SN-LK97W-AK	Switzerland
SN-LK97W-AL	Sweden
SN-LK97W-AN	Norway
SN-LK97W-AP	France
SN-LK97W-AS	Spain
SN-LK97W-AT	Israel
SN-LK97W-AV	Portugal
SN-LK97W-BH	Greece
SN-LK97W-BP	Poland
SN-LK97W-BQ	Hungary
SN-LK97W-BR	Arabic
SN-LK97W-BT	Cyrillic/Russian
SN-LK97W-BU	Turkey Q
SN-LK97W-BW	Turkey F
SN-LK97W-BY	Serbia
SN-LK97W-CQ	Iceland
SN-LK97W-BV	Czech Republic
SN-LK97W-CZ	Slovak

Asia Pacific

SN-LK97W-AJ	Japan
SN-LK97W-BI	Taiwan
SN-LK97W-BK	South Korea
SN-LK97W-CB	Thailand

Step 4—Processor and Cache Upgrades (Optional)

SN-PBXBA-HB	266 MHz Pentium II processor, must match speed of first processor, supported in MLB CPU socket
SN-PBXBA-DA	PWS 200i to 433a system upgrade, replaces system box
SN-PBXBA-GA	PWS 200i to 266i MLB and CPU upgrade, replaces MLB
SN-MS01-AB	2 MB Level 3 SRAM cache, supported in MBL cache slot, for a- and au-series only

Step 5—Memory (Optional)

i-series Memory

i-series supports four memory options (4 SIMM banks with 2 slots each)

SN-PCCAM-EB 32 MB ECC EDO SIMMs (2 x 16 MB)

SN-PCCAM-EC 64 MB ECC EDO SIMMs (2 x 32 MB)

a- and au-series Memory

a- and au- series support three memory options (3 DIMM banks with 2 slots each)

SN-MSP01-HC 64 MB ECC SDRAM DIMMs (2 x 32 MB)

SN-MSP01-HD 128 MB ECC SDRAM DIMMs (2 x 64 MB)

SN-MSP01-HE 256 MB ECC SDRAM DIMMs (2 x 128 MB)

SN-MSP01-HF 512 MB ECC SDRAM DIMMs (2 x 256 MB)

Step 6—Storage (Optional)

SCSI disk drives

Maximum of four SCSI drives supported per system

SN-PBXRW-JC 2.1 GB Ultra SCSI wide disk drive 7200 RPM, 1" or 1.6" bay

SN-PBXRW-NC 4.3 GB Ultra SCSI wide disk drive 7200 RPM, 1" or 1.6" bay

SN-PBXRW-SA 9.1 GB Ultra SCSI wide disk drive 7200 RPM, 1.6" bay

EIDE disk drives

EIDE disk drives are supported on i-series and a-series only, maximum of two per system.

SN-PCXRA-AT 4.3 GB Ultra DMA EIDE disk drive, 5400 RPM, 1.6" bay

SN-PCXRA-AU 6.4 GB Ultra DMA EIDE disk drive, 5400 RPM, 1.6" bay

Tape Drive

Maximum of two tape drives supported per system

SN-TLZ09-LK 4.0/8.0 GB 4mm DAT internal SCSI tape drive, 1.6" front accessible bay

Controllers

	Maximum controllers supported per system	i-series	a-series	au-series
SN-PCTAZ-DE	Adaptec 2940 Ultra SCSI wide controller, requires 1 PCI 32-bit slot	3		
SN-KZPBA-CA	Q-Logic 1040B UltraWide SCSI Controller, requires 1 PCI 32-bit slot	3	1	1
SN-KZPAC-AA*	1-port PCI-based RAID controller, 4MB EDRAM cache, requires 1 PCI 32-bit slot	1		
SN-KZPAC-CA*	3-port PCI-based RAID controller, 4MB EDRAM cache, requires 1 PCI 32-bit slot	1		
SN-KZPAC-CB*	3-port PCI-based RAID controller, 8MB EDRAM cache, requires 2 PCI 32-bit slots	1		

1 Must be used with DIGITAL StorageWorks DS-BA356-KF enclosure to run in Ultra SCSI mode, requires BN37A-xx SCSI cable not to exceed 20 meters.

Step 7—Graphics Options (Optional)

The following Graphics Options require 1 PCI 64-bit slot—Maximum supported per system		i-series	a-series	au-series
SN-PB2GA-KB	Matrox Millennium II graphics with 4 MB WRAM, maximum 8 MB WRAM	2	2	
SN-PCXAG-AW	AccelGraphics AccelPro 2500TX graphics with 16 MB VRAM, maximum 32 MB VRAM	1	1	
SN-PBXGB-AA	PowerStorm 3D30 graphics with 2 MB VRAM			2
SN-PBXGB-CA	PowerStorm 4D20 graphics with 16 MB VRAM			2
SN-PBXGD-AA	PowerStorm 4D30T 3D graphics with 4 MB texture memory, maximum 16 MB texture memory	1	1	
SN-PBXGD-AB	PowerStorm 4D30T 3D graphics with 16 MB texture memory, maximum 32 MB texture memory	1	1	
The following Graphics Options require 2 PCI 64-bit slot—Maximum supported per system		i-series	a-series	au-series
SN-PBXGI-AA	PowerStorm 4D40T 3D graphics with 16 MB VRAM, maximum 32 MB texture memory	1	1	1
SN-PBXGI-AB	PowerStorm 4D50T 3D graphics with 16 MB VRAM, maximum 32 MB texture memory		1	1
SN-PBXGI-AC	PowerStorm 4D60T 3D graphics with 32 MB VRAM, plus 16MB texture memory, maximum 64 MB texture memory		1	1

Step 8—Graphics Memory Options

		i-series	a-series	au-series
SN-PB2GA-KE	4 MB WRAM Frame Buffer Upgrade: Millennium II supported in Millennium II memory slot	X	X	
SN-PBXGD-GB	16 MB Texture memory for PowerStorm 4D30T supported in 4D30T memory slot	X	X	
SN-PBXGI-GA	4 MB Texture memory for PowerStorm series supported in 4D40T, 4D50T, 4D60T memory slot	X	X	X
SN-PBXGI-GB	16 MB Texture memory for PowerStorm series supported in 4D40T, 4D50T, 4D60T memory slot	X	X	X
SN-PBXGI-GC	32 MB Texture memory for PowerStorm series supported in 4D40T, 4D50T, 4D60T memory slot	X	X	X

Step 9—Color Monitors

		i-series	a-series	au-series
SN-VRCX7-WA	17" (16.0" viewable) Corporate Northern Hemisphere 120V	X		
SN-VRTX7-WA	17" (16.0" viewable) Professional Northern Hemisphere 120V	X	X	X
SN-PCXAV-CZ	19" (18.0" viewable) Professional Northern Hemisphere 120V	X	X	X
SN-VRCX1-WA	21" (19.6" viewable) Professional Northern Hemisphere 120V	X	X	X
SN-PCXAV-AZ ¹	24" (22.5" viewable) Professional Northern Hemisphere 120V		X	X
SN-VRCX7-W3	17" (16.0" viewable) Corporate Northern Hemisphere 240V	X		
SN-VRTX7-W3	17" (16.0" viewable) Professional Northern Hemisphere 240V	X	X	X
SN-VRCX1-W3	21" (19.6" viewable) Professional Northern Hemisphere 240V	X	X	X
SN-PCXAV-AZ ¹	24" (22.5" viewable) Professional Northern Hemisphere 240V		X	X
SN-VRCX7-W4	17" (16.0" viewable) Corporate Southern Hemisphere	X		
SN-VRT17-W4	17" (16.0" viewable) Professional Southern Hemisphere	X	X	X
SN-PCXAV-CY	19" (18.0" viewable) Professional Southern Hemisphere	X	X	X
SN-VRCX1-W4	21" (19.6" viewable) Professional Southern Hemisphere	X	X	X

1. Supported with PowerStorm 4D60T graphics options only.

Step 10—Network Options (Optional)

PCI-based Network options require 1 PCI slot		Maximum supported per system	i-series	a-series	au-series
SN-DE450-CA	EtherWORKS PCI 10mbs (twisted pair/AUI/BNC)		3	1	1
SN-DE500-BA	FastEthernet PCI 10/100mbs (twisted pair)			1	1
SN-PBXNP-AC	PCI Token Ring adapter		1	1	1
SN-DEFFPA-AB	PCI - FDDI adapter SAS fiber			1	1
SN-DEFFPA-DB	PCI - FDDI adapter DAS Fiber			1	1
SN-DEFFPA-MB	PCI - FDDI adapter DAS UTP			1	1
SN-DEFFPA-UB	PCI - FDDI adapter SAS UTP			1	1
PBXDA-AA	PCI Asynchronous 4-port adapter			1	1
PBXDA-AB	PCI Asynchronous 8-port adapter			1	1
SN-PBXIP-AA	PCI ISDN BRI S/T			1	1
SN-PBXIP-AB	PCI ISDN BRI U			1	1
ISA-based Network options require 1 ISA slot		Maximum supported per system	i-series	a-series	au-series
SN-PCXHF-AA	ISA Fax/modem 28.8Kbps		2	1	
PBXDF-BA	ISA Fax/modem 28.8Kbps			1	1
System Enclosure bulkhead connector			i-series	a-series	au-series
SN-PCXAN-DB	10BaseT/10Base 2 Ethernet Bulkhead Connector		1		

Step 11—Hardware Supplemental Services

FM-W****_**	Hardware supplemental price depends on total price of the order, type of extension (e.g. Onsite Next Business Day, Onsite same business day, 7 x 24, and number of months). Refer to “Multivendor Customer Services Quick Quote Card” for part numbers (In Europe, refer to on-line Quoting System). First * after W could be A through P, depending on total list price of the hardware. Second through fourth * represent different levels (e.g. XHW for Onsite next business day service, 4 hour Onsite same business day service, and 7 x 24 service). Last two ** represent duration in months (e.g. 12, 36, 60)
--------------------	--

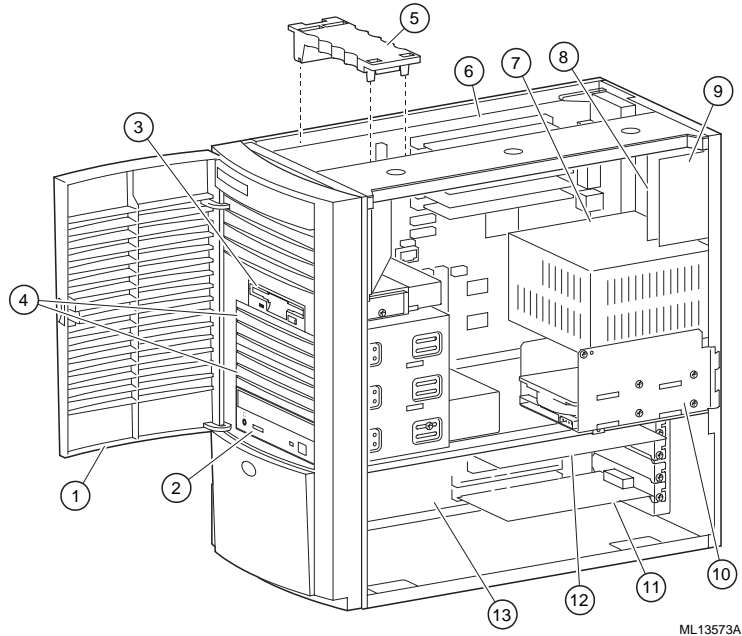
Step 11a—Software Supplemental Services—Windows NT

FM-HD5**_**¹	5 x 9 Helpdesk Support
FM-HD7**_**¹	7 x 24 Helpdesk Support First two ** after 5 or 7 represent the number of calls, and could be 05, 15, or 25. Last two ** represent duration in months, and could be 12, 36, or 60

Specifications

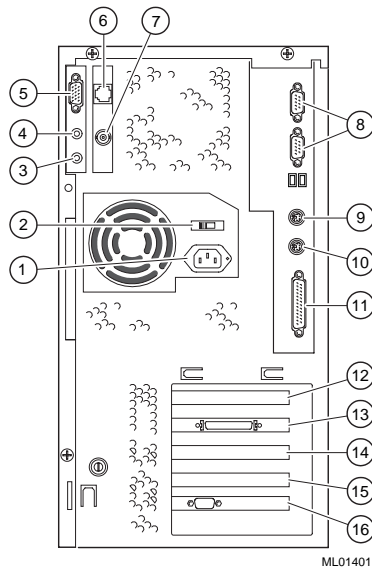
Height	40.64 cm (16 inches)
Width	21.59 cm (8.5 inches)
Depth	44.45 cm (17.5 inches)

System Diagram



ML13573A

- | | |
|---|--|
| <ol style="list-style-type: none"> 1. Front door assembly 2. 5.25" CD-ROM drive bay 3. 3.5" floppy diskette drive bay 4. Three 5.25" removable media bays 5. Main Logic Board retainer bracket 6. Main Logic Board 7. Power supply | <ol style="list-style-type: none"> 8. Ethernet connector card (MAU or MII) 9. Audio connector card 10. Two 3.5" hard disk drive bays 11. 64-bit (or 32-bit) PCI option installed on riser card 12. ISA card installed in PCI/ISA combination slot 13. Riser card |
|---|--|



ML014011

- | | |
|--|--|
| <ol style="list-style-type: none"> 1. AC power connector 2. Voltage selector switch 3. Audio line In 4. Speaker Out 5. MIDI adapter or joystick connector 6. Ethernet Twisted pair 7. ThinWire Ethernet 8. Communication ports 1 and 2 | <ol style="list-style-type: none"> 9. Mouse port 10. Keyboard port 11. Parallel port 12. Slot 1: 32-bit PCI (half size slot) 13. Slot 2: 32-bit PCI/ISA (half size slot) 14. Slot 3: 32-bit PCI/ISA (full size slot) 15. Slot 4: 64-bit PCI/ISA (full size slot) 16. Slot 5: 64-bit PCI (full size slot) |
|--|--|