



**DIGITAL Personal Workstations**  
**V2.4—4 December 1997**  
DIGITAL Systems and Options Catalog

**DIGITAL Personal Workstations feature**

<b>i-Series (Windows NT)</b>	<b>i+-Series (Windows NT)</b>	<b>a-Series (Windows NT)</b>	<b>au-Series (UNIX)</b>
<ul style="list-style-type: none"><li>• Short-tower enclosure</li><li>• Pentium II 266/300mhz with Intel 440FX PCIset</li><li>• 512KB cache</li><li>• Optional graphics</li><li>• 5 slots (2 PCI, 3 PCI/ISA)</li><li>• 4 SIMM banks (8 slots)</li><li>• 300W power supply</li><li>• 1.44MB floppy drive</li><li>• CD-ROM drive</li><li>• Adaptec UW SCSI controller</li><li>• On-board EIDE controller</li><li>• On-board 16-bit audio</li><li>• 10/100 BaseT Ethernet twisted pair (thinwire—optional)</li><li>• Windows NT 4.0</li></ul>	<ul style="list-style-type: none"><li>• Short-tower enclosure</li><li>• Pentium II 266/300MHz, with Intel 440LX AGPset</li><li>• 512KB cache</li><li>• On-board 3Dlabs Permedia P2 graphics on MLB, 4MB</li><li>• 6 slots (3 PCI, 2 PCI/ISA, 1 AGP)</li><li>• 4 DIMM banks (4 slots)</li><li>• 300W power supply</li><li>• 1.44MB floppy drive</li><li>• CD-ROM drive</li><li>• On-board Qlogic UW SCSI controller</li><li>• On-board UltraDMA controller</li><li>• On-board 16-bit audio</li><li>• On-board 10/100 BaseT Ethernet twisted pair (thinwire—optional)</li><li>• Windows NT 4.0</li></ul>	<ul style="list-style-type: none"><li>• Short-tower enclosure</li><li>• DIGITAL 21164 433/500/600MHz</li><li>• 0MB or 2MB cache</li><li>• Optional graphics</li><li>• 5 slots (2 PCI, 3 PCI/ISA)</li><li>• 3 DIMM banks (6 slots)</li><li>• 300W power supply</li><li>• 1.44MB floppy drive</li><li>• CD-ROM drive</li><li>• Qlogic UW SCSI controller</li><li>• On-board EIDE controller for CD ROM only</li><li>• On-board 16-bit audio</li><li>• 10/100 BaseT Ethernet twisted pair (thinwire—optional)</li><li>• Windows NT 4.0</li></ul>	<ul style="list-style-type: none"><li>• Short-tower enclosure</li><li>• DIGITAL 21164 433/500/600MHz</li><li>• 0MB or 2MB cache</li><li>• Optional graphics</li><li>• 5 slots (2 PCI, 3 PCI/ISA)</li><li>• 3 DIMM banks (6 slots)</li><li>• 300W power supply</li><li>• 1.44MB floppy drive</li><li>• CD-ROM drive</li><li>• Qlogic UW SCSI controller</li><li>• On-board EIDE controller for CD-ROM only</li><li>• On-board 16-bit audio</li><li>• 10/100 BaseT Ethernet twisted pair (thinwire—optional)</li><li>• DIGITAL UNIX 4.0C</li></ul>

---

---

**Step 1—DIGITAL Personal Workstations**

DIGITAL Personal Workstations are available through distribution partners. A list of eligible partners is available on DIGITAL Business Link or through a local DIGITAL Sales Office.

DIGITAL Personal Workstations may be ordered as:

- System Building Blocks are designed for “a la carte” ordering and distributor integration. System Building Blocks contain a system kernel, minimum of 64 MB memory (except for Intel Workstations), Ultra SCSI disk controller (except for i-series and i+ -series EIDE SBB), 4.3 GB SCSI hard disk drive, and factory-installed Windows NT or DIGITAL UNIX operating system.
- Packaged Systems are designed for ease of ordering and stocking. Packaged Systems contain a system kernel, a minimum of 64 MB memory, Ultra SCSI disk controller, 4.3GB SCSI hard disk drive, graphics card, and factory-installed Windows NT or DIGITAL UNIX operating system.

---

DIGITAL believes the information in this publication is accurate as of its publication date; such information is subject to change without notice. DIGITAL is not responsible for any inadvertent errors.

DIGITAL conducts its business in a manner that conserves the environment and protects the safety and health of its employees, customers, and the community.

DIGITAL, the DIGITAL logo are trademarks of Digital Equipment Corporation.

Printed in USA. Copyright 1997 Digital Equipment Corporation. All rights reserved.

---



---

**Step 1—DIGITAL Personal Workstations (continued)**
**System Building Blocks**

- .. Selection of a System and Country Kit from Steps 1 and 2 are mandatory
- .. Additional options in Steps 3 through 12 are optional.

**i-series**

Order Number	CPU	Operating System	Memory / Cache	Graphics	Controller	Hard Disk Drive
SN-B31WW-T4	266i	Windows NT 4.0	32 MB / 512 KB	—	IDE+	4.3 GB EIDE disk
SN-B31WW-T3	266i	Windows NT 4.0	64 MB / 512 KB	—	Ultra SCSI	4.3 GB SCSI disk
SN-B31WW-T5	300i	Windows NT 4.0	64 MB / 512 KB	—	Ultra SCSI	4.3 GB SCSI disk

**i+-series**

SN-K3B5W-VA	266i/LX	Windows NT 4.0	32 MB / 512 KB	Permedia P2	UltraDMA	4.3 GB EIDE disk
SN-K3B6W-VC	300i/LX	Windows NT 4.0	64 MB / 512 KB	Permedia P2	Ultra SCSI	4.3 GB SCSI disk

**a-series**

Order Number	CPU	Operating System	Memory / Cache	Graphics	Controller	Hard Disk Drive
SN-B3AAP-SB	433a	Windows NT 4.0	64 MB / 0 MB	—	Ultra SCSI	4.3 GB SCSI disk
SN-B3AAP-SH	433a	Windows NT 4.0	512 MB / 0 MB	—	Ultra SCSI	4.3 GB SCSI disk
SN-B3DAP-SB	500a	Windows NT 4.0	64 MB / 0 MB	—	Ultra SCSI	4.3 GB SCSI disk
SN-B3DAP-SH	500a	Windows NT 4.0	512 MB / 0 MB	—	Ultra SCSI	4.3 GB SCSI disk
SN-B3EAP-SB	600a	Windows NT 4.0	64 MB / 0 MB	—	Ultra SCSI	4.3 GB SCSI disk
SN-B3EAP-SH	600a	Windows NT 4.0	512 MB / 0 MB	—	Ultra SCSI	4.3 GB SCSI disk

**au-series**

SN-B3AAU-SB	433au	DIGITAL UNIX	64 MB / 0 MB,	—	Ultra SCSI	4.3 GB SCSI disk
SN-B3AAU-SH	433au	DIGITAL UNIX	512 MB / 0 MB	—	Ultra SCSI	4.3 GB SCSI disk
SN-B3AAU-WL	433au	DIGITAL UNIX	64 MB / 2 MB	—	Ultra SCSI	2.1 GB SCSI disk
SN-B3DAU-SB	500au	DIGITAL UNIX	64 MB / 0 MB	—	Ultra SCSI	4.3 GB SCSI disk
SN-B3DAU-SH	500au	DIGITAL UNIX	512 MB / 0 MB	—	Ultra SCSI	4.3 GB SCSI disk
SN-B3EAU-SB	600au	DIGITAL UNIX	64 MB / 0 MB	—	Ultra SCSI	4.3 GB SCSI disk
SN-B3EAU-SH	600au	DIGITAL UNIX	512 MB / 0 MB	—	Ultra SCSI	4.3 GB SCSI disk

## Step 1—DIGITAL Personal Workstations (continued)

### Packaged Systems

- .. Selection of a System and Country Kit from Steps 1 and 2 are mandatory.
- .. Additional options in Steps 3 through 12 are optional.
- .. Bulk system orders must include Country Kits equal to the total number of systems ordered.

### i-Series

Order Number	CPU	Operating System	Memory / Cache	Graphics	Controller	Hard Disk Drive
SN-B34WW-FL	266i	Windows NT 4.0	64 MB / 512 KB	Millenium II	Ultra SCSI	4.3 GB SCSI disk
SN-B37WW-FL	266i	Windows NT 4.0	64 MB / 512 KB	4D30T	Ultra SCSI	4.3 GB SCSI disk

### i+-Series

SN-K3B5W-VA	266i/LX	Windows NT 4.0	32 MB / 512 KB	Permedia P2, 4MB SGRAM	UltraDMA	4.3 GB EIDE disk
SN-K3B6W-VC	300i/LX	Windows NT 4.0	64 MB / 512 KB	Permedia P2, 4MB SGRAM	Ultra SCSI	4.3 GB SCSI disk
SN-K3B6W-VD	300i/LX	Windows NT 4.0	64 MB / 512 KB	PowerStorm 4D30T, 4MB	Ultra SCSI	4.3 GB SCSI disk

### a-Series

SN-B3AAP-AB	433a	Windows NT 4.0	64 MB / 0 MB	Millenium II	Ultra SCSI	4.3 GB SCSI disk
SN-B3AAP-FB	433a	Windows NT 4.0	64 MB / 0 MB	PowerStorm 4D30T	Ultra SCSI	4.3 GB SCSI disk
SN-B3DAP-AB	500a	Windows NT 4.0	64 MB / 0 MB	Millenium II	Ultra SCSI	4.3 GB SCSI disk
SN-B3DAP-FB	500a	Windows NT 4.0	64 MB / 0 MB	PowerStorm 4D30T	Ultra SCSI	4.3 GB SCSI disk

## Step 2—Country Kit

- .. UNIX country kit includes two country-specific power cords, user documentation, and mouse. UNIX license included in package system.
- .. NT country kit includes two country-specific power cords, user documentation, mouse, operating system license, media and documentation. Country kit ordered determines language of operating system factory installed.
- .. Country kit must be ordered for system to be operational. Only one country kit allowed per system.
- .. Bulk system orders must include Country Kits equal to the total number of systems ordered.
- .. Keyboards must be ordered separately.

Intel Windows NT 4.0 Country Kits i-series	Intel Windows NT 4.0 Country Kits i+series	Alpha Windows NT 4.0 Country Kits	Windows NT 4.0 Language	DIGITAL UNIX 4.0C Country Kits	DIGITAL UNIX 4.0C H/W Users Doc	COUNTRY
<b>Americas</b>						
SN-PBB5P-AA	SN-PCB4N-AA	SN-PBB4P-AA	English	SN-PBB4U-AA	English	United States
SN-PBB5P-AC	SN-PCB4N-AC	SN-PBB4P-AC	French	SN-PBB4UAC	French	French Canada
SN-PBB5P-AR	SN-PCB4N-CS	SN-PBB4P-AR	Spanish	SN-PBB4U-AR	Spanish	LACR-Spanish
<b>Europe</b>						
SN-PBB5P-AB	SN-PCB4N-AB	SN-PBB4P-AB	English	SN-PBB4U-AB	French	Belgium
SN-PBB5P-AD	SN-PCB4N-AD	SN-PBB4P-AD	Danish	SN-PBB4U-AD	English	Denmark
SN-PBB5P-AE	SN-PCB4N-AE	SN-PBB4P-AE	English	SN-PBB4U-AE	English	United Kingdom
SN-PBB5P-AF	SN-PCB4N-AF	SN-PBB4P-AF	Finish	SN-PBB4U-AF	English	Finland
SN-PBB5P-AG	SN-PCB4N-AG	SN-PBB4P-AG	German	SN-PBB4U-AG	German	Germany

Step 2—Country Kit (*continued*)

Intel Windows NT 4.0 Country Kits i-series	Intel Windows NT 4.0 Country Kits i+series	Alpha Windows NT 4.0 Country Kits	Windows NT 4.0 Language	DIGITAL UNIX 4.0C Country Kits	DIGITAL UNIX 4.0C H/W Users Doc	COUNTRY
<i>Europe (continued)</i>						
SN-PBB5P-AH	SN-PCB4N-AH	SN-PBB4P-AH	Dutch	SN-PBB4U-AH	English	Netherlands
SN-PBB5P-AI	SN-PCB4N-AI	SN-PBB4P-AI	Italian	SN-PBB4U-AI	Italian	Italy
SN-PBB5P-AK	SN-PCB4N-AK	SN-PBB4P-AK	French	SN-PBB4U-AK	French	Switzerland
SN-PBB5P-AL	SN-PCB4N-AL	SN-PBB4P-AL	German	SN-PBB4U-AL	English	Switzerland/ Germany
SN-PBB5P-AM	SN-PCB4N-AM	SN-PBB4P-AM	Swedish	SN-PBB4U-AM	English	Sweden
SN-PBB5P-AN	SN-PCB4N-AN	SN-PBB4P-AN	Norwegian	SN-PBB4U-AN	English	Norway
SN-PBB5P-AP	SN-PCB4N-AP	SN-PBB4P-AP	French	SN-PBB4U-AP	French	France
SN-PBB5P-AS	SN-PCB4N-AS	SN-PBB4P-AS	Spanish	SN-PBB4U-AS	Spanish	Spain
SN-PBB5P-AT	SN-PCB4N-AT	SN-PBB4P-AT	English	SN-PBB4U-AT	English	Israel
SN-PBB5P-AV	SN-PCB4N-AV	SN-PBB4P-AV	English	SN-PBB4U-AV	English	Portugal
SN-PBB5P-BH	SN-PCB4N-BH	SN-PBB4P-BH	English	SN-PBB4U-BH	English	Greece
SN-PBB5P-BP	SN-PCB4N-BP	SN-PBB4P-BP	Polish	SN-PBB4U-BP	English	Poland
SN-PBB5P-BQ	SN-PCB4N-BQ	SN-PBB4P-BQ	Hungarian	SN-PBB4U-BQ	English	Hungary
SN-PBB5P-BR	SN-PCB4N-BR	SN-PBB4P-BR	English	SN-PBB4U-BR	English	Arabic
SN-PBB5P-BT	SN-PCB4N-BT	SN-PBB4P-BT	Russian	SN-PBB4U-BT	English	Russia
SN-PBB5P-BU	SN-PCB4N-BU	SN-PBB4P-BU	English	SN-PBB4U-BU	English	Turkey
SN-PBB5P-BV	SN-PCB4N-BV	SN-PBB4P-BV	English	SN-PBB4U-BV	English	Slovak
SN-PBB5P-BY		SN-PBB4P-BY	English	SN-PBB4U-BY	English	Serbia
SN-PBB5P-CQ	SN-PCB4N-CQ	SN-PBB4P-CQ	English	SN-PBB4U-CQ	English	Iceland
SN-PBB5P-CZ	SN-PCB4N-CZ	SN-PBB4P-CZ	Czech	SN-PBB4U-CZ	English	Czech Republic
SN-PBB5P-EC	SN-PCB4N-EC	SN-PBB4P-EC	English	SN-PBB4U-EC	English	European
<i>Asia Pacific</i>						
SN-PBB5P-AJ	SN-PCB4N-AJ	SN-PBB4P-AJ	Japanese	SN-PBB4U-AJ	Japanese	Japan
	SN-PCB4N-AZ		English			Australia/ New Zealand
SN-PBB5P-BI	SN-PCB4N-BI	SN-PBB4P-BI	Trad. Chinese	SN-PBB4U-BI	English	Taiwan
SN-PBB5P-BK	SN-PCB4N-BK	SN-PBB4P-BK	Korean	SN-PBB4U-BK	English	South Korea
SN-PBB5P-CA	SN-PCB4N-CA	SN-PBB4P-CA	English	SN-PBB4U-CA	English	Far East
SN-PBB5P-CE	SN-PCB4N-CE	SN-PBB4P-CE	English	SN-PBB4U-CE	English	Philippines
SN-PBB5P-CG	SN-PCB4N-CG	SN-PBB4P-CG	English	SN-PBB4U-CG	English	Vietnam
SN-PBB5P-CP	SN-PCB4N-CP	SN-PBB4P-CP	English	SN-PBB4U-CP	English	Thailand
SN-PBB5P-CV	SN-PCB4N-CV	SN-PBB4P-CV	Simp. Chinese	SN-PBB4U-CV	English	China

## Step 3—Keyboards (Optional)

## Americas

SN-LK97W-A2	United States
SN-LK97W-AC	French Canada
SN-LK97W-AR	LACR-Spanish

---



---

**Step 3—Keyboards (*continued*)**
**Europe**

SN-LK97W-AB	Belgium
SN-LK97W-AD	Denmark
SN-LK97W-AE	United Kingdom
SN-LK97W-AF	Finland
SN-LK97W-AG	Germany
SN-LK97W-AH	Netherlands
SN-LK97W-AI	Italy
SN-LK97W-AK	Switzerland
SN-LK97W-AL	Sweden
SN-LK97W-AN	Norway
SN-LK97W-AP	France
SN-LK97W-AS	Spain
SN-LK97W-AT	Israel
SN-LK97W-AV	Portugal
SN-LK97W-BH	Greece
SN-LK97W-BP	Poland
SN-LK97W-BQ	Hungary
SN-LK97W-BR	Arabic
SN-LK97W-BT	Cyrillic/Russian
SN-LK97W-BU	Turkey
SN-LK97W-BW	Turkey
SN-LK97W-BY	Serbia
SN-LK97W-CQ	Iceland
SN-LK97W-BV	Czech Republic
SN-LK97W-CZ	Slovak

**Asia Pacific**

SN-LK97W-AJ	Japan
SN-LK97W-BI	Taiwan
SN-LK97W-BK	South Korea
SN-LK97W-CB	Thailand

NOTE: Keyboards are not included with the system packaging, customer must order if required.

---



---

**Step 4—Processor and Cache Upgrades (Optional)**

SN-PBXBA-HB	266 MHz Pentium II processor, must match speed of first processor, supported in MLB CPU socket
SN-D3B5W-5U	266 MHz Pentium II processor, must match speed of first processor, for PWS 266i+, with 440LX
SN-D3B6W-5U	300 MHz Pentium II processor, must match speed of first processor, for PWS 300i+, with 440LX
SN-PBXBA-DA	PWS 200i to 433a system upgrade, replaces system box
SN-PBXBA-GA	PWS 200i to 266i MLB and CPU upgrade, replaces MLB
SN-MS01-AB	2 MB Level 3 SRAM cache, supported in MLB cache slot, for a- and au-series only
SN-PBXBA-FA	PWS 266i to 600a MLB and CPU Upgrade, replaces MLB and memory
SN-PBXBA-IA	PWS 266i to 300i CPU Upgrade
SN-PBXBA-IB	PWS 300i single processor to 300i dual processor CPU Upgrade
SN-PBXBA-JA	PWS 433/500 a/au to 600 a/au CPU Upgrade

---



---

## Step 5—Memory (Optional)

**i-series Memory**

i-series, with 440FX chipsets supports four memory options (4 SIMM banks with 2 slots each)

<b>SN-PCCAM-EB</b>	32 MB ECC EDO SIMMs (2 x 16 MB)
<b>SN-PCCAM-EC</b>	64 MB ECC EDO SIMMs (2 x 32 MB)
<b>SN-PCCAM-ED</b>	128 MB ECC EDO SIMMs (2 x 64 MB)

**i+-series Memory**

i+-series, with 440LX chipsets supports four memory options (4 DIMM banks with 1 slot each)

<b>SN-MSP01-JB</b>	32 MB ECC SDRAM DIMMs (1 x 32 MB))
<b>SN-MSP01-JC</b>	64 MB ECC SDRAM DIMMs (1 x 64 MB))
<b>SN-MSP01-JD</b>	128 MB ECC SDRAM DIMMs (1 x 128 MB)

**a- and au-series Memory**

a- and au- series support three memory options (3 DIMM banks with 2 slots each)

<b>SN-MSP01-HC</b>	64 MB ECC SDRAM DIMMs (2 x 32 MB)
<b>SN-MSP01-HD</b>	128 MB ECC SDRAM DIMMs (2 x 64 MB)
<b>SN-MSP01-HE</b>	256 MB ECC SDRAM DIMMs (2 x 128 MB)
<b>SN-MSP01-HF</b>	512 MB ECC SDRAM DIMMs (2 x 256 MB)

---



---

**Step 6—Storage (Optional)****SCSI disk drives**

Maximum of four SCSI drives supported per system (see system diagram)

<b>SN-PBXRW-JD</b>	2.1 GB Ultra SCSI wide disk drive 7200 RPM, 1" or 1.6" bay
<b>SN-PBXRW-NC</b>	4.3 GB Ultra SCSI wide disk drive 7200 RPM, 1" or 1.6" bay
<b>SN-PBXRW-SA<sup>1</sup></b>	9.1 GB Ultra SCSI wide disk drive 7200 RPM, 1.6" bay

1. Maximum two per system, supported in 5.25" removable media bays only.

**EIDE disk drives**

EIDE disk drives are supported on i-series and i+-series only, maximum of two per system.

<b>SN-PCXRA-AN</b>	2.1 GB EIDE disk drive, 4500 RPM, 1.6" bay
<b>SN-PCXRA-AT</b>	4.3 GB Ultra DMA EIDE disk drive, 5400 RPM, 1.6" bay
<b>SN-PCXRA-AU</b>	6.4 GB Ultra DMA EIDE disk drive, 5400 RPM, 1.6" bay
<b>SN-PCXRA-AP</b>	3.2 GB EIDE disk drive, 4500 RPM, 1.6" bay

**Tape Drive**

Maximum of two tape drives supported per system

<b>SN-TLZ09-LK</b>	4.0/8.0 GB 4mm DAT internal SCSI tape drive, 1.6" front accessible bay
<b>SN-PBXKP-BA</b>	Wide to narrow SCSI connection adapter

**Step 6—Storage (Optional) (continued)****Controllers**

Maximum controllers supported per system		i-series i+-series	a-series	au-series
SN-PCTAZ-DE	Adaptec 2940 Ultra SCSI wide controller, requires 1 PCI 32-bit slot	3	—	—
SN-KZPBA-CA <sup>1</sup>	Q-Logic 1040B UltraWide SCSI Controller, requires 1 PCI 32-bit slot	3	1	1
SN-KZPAC-AA <sup>2</sup>	1-port PCI-based RAID controller, 4MB EDRAM cache, requires 1 PCI 32-bit slot	1	—	—
SN-KZPAC-CA <sup>2</sup>	3-port PCI-based RAID controller, 4MB EDRAM cache, requires 1 PCI 32-bit slot	1	—	—
SN-KZPAC-CB <sup>2</sup>	3-port PCI-based RAID controller, 8MB EDRAM cache, requires 2 PCI 32-bit slots	1	—	—

1. For i-Series only: SN-KZPSA-CA can be used with DIGITAL StorageWorks DS-BA356-KF enclosure to run in Ultra SCSI mode and requires BN38C-xx SCSI cable not to exceed 20 meters.
2. Each DPWS a and au system include a Q-logic Ultra Wide SCSI controller in the base system. No additional SCSI controllers are supported.

**Step 7—Graphics Options (Optional)**

The following Graphics Options require 1 PCI 64-bit slot—Maximum supported per system		i-series i+-series	a-series	au-series
SN-PB2GA-KB	Matrox Millennium II graphics with 4 MB WRAM, maximum 8 MB WRAM	2	2	—
SN-PCXAG-AW	AccelPRO 2500TX 3D graphics accelerator with 8 MB VRAM and 8 MB DRAM. Provides 15 or 24 bits double buffered, up to 24-bit Z-buffer, and 3 MB or 5 MB of texture memory	1	1	—
SN-PBXGB-AA	PowerStorm 3D30 graphics with 2 MB VRAM	—	—	2
SN-PBXGK-AA	PowerStorm 4D10 graphics with 4MB VRAM	1	—	—
SN-PBXGB-CA	PowerStorm 4D20 graphics with 16 MB VRAM	—	—	2
SN-PBXGD-AA	PowerStorm 4D30T 3D graphics with 4 MB texture memory, maximum 16 MB texture memory	1	1	—
SN-PBXGD-AB	PowerStorm 4D30T 3D graphics with 16 MB texture memory, maximum 32 MB texture memory	1	1	—
The following Graphics Options require 2 PCI 64-bit slots—Maximum supported per system		i-series i+-series	a-series	au-series
SN-PBXGI-AA	PowerStorm 4D40T 3D graphics with 16 MB VRAM, maximum 32 MB texture memory	1	1	1
SN-PBXGI-AB	PowerStorm 4D50T 3D graphics with 16 MB VRAM, maximum 32 MB texture memory	—	1	1
SN-PBXGI-AC	PowerStorm 4D60T 3D graphics with 32 MB VRAM, plus 16MB texture memory, maximum 64 MB texture memory	—	1	1

NOTE: Upgrading to 32 MB or 64 MB of textured memory requires replacing the existing 16 MB memory,.

---



---

**Step 8—Graphics Memory Options (Optional)**


---

		i-series i+-series	a-series	au-series
<b>SN-PB2GA-KE</b>	4 MB WRAM Frame Buffer Upgrade: Millennium II supported in Millennium II memory slot	X	X	—
<b>SN-PBXGD-GB</b>	16 MB Texture memory for PowerStorm 4D30T supported in 4D30T memory slot	X	X	—
<b>SN-PBXGI-GA</b>	4 MB Texture memory for PowerStorm series supported in 4D40T, 4D50T, 4D60T memory slot	X	X	X
<b>SN-PBXGI-GB</b>	16 MB Texture memory for PowerStorm series supported in 4D40T, 4D50T, 4D60T memory slot	X	X	X
<b>SN-PBXGI-GC</b>	32 MB Texture memory for PowerStorm series supported in 4D40T, 4D50T, 4D60T memory slot	X	X	X
<b>SN-PBXGK-GA</b>	4 MB frame buffer memory for PowerStorm 4D10 supported in 4D10 memory slot, and in embedded Permedia P2 graphics on 440LX-based motherboard	X	X	

---



---

**Step 9—Color Monitors (Optional)**


---

		i-series i+-series	a-series	au-series
<b>SN-VRCX5-WA</b>	15" (13.9" viewable) Corporate Northern Hemisphere 120V	X	—	—
<b>SN-VRCX7-WA</b>	17" (16.0" viewable) Corporate Northern Hemisphere 120V	X	X	X
<b>SN-VRTX7-WA</b>	17" (16.0" viewable) Professional Northern Hemisphere 120V	X	X	X
<b>SN-PCXAV-CZ</b>	19" (18.0" viewable) Professional Northern Hemisphere 120V	X	X	X
<b>SN-VRCX1-WA</b>	21" (19.6" viewable) Professional Northern Hemisphere 120V	X	X	X
<b>SN-PCXAV-AZ<sup>1</sup></b>	24" (22.5" viewable) Professional Northern Hemisphere 120V	—	X	X
<b>SN-VRCX5-W3</b>	15" (13.9" viewable) Corporate Northern Hemisphere 240V	X	—	—
<b>SN-VRCX7-W3</b>	17" (16.0" viewable) Corporate Northern Hemisphere 240V	X	—	—
<b>SN-VRTX7-W3</b>	17" (16.0" viewable) Professional Northern Hemisphere 240V	X	X	X
<b>SN-VRCX1-W3</b>	21" (19.6" viewable) Professional Northern Hemisphere 240V	X	X	X
<b>SN-PCXAV-AZ<sup>1</sup></b>	24" (22.5" viewable) Professional Northern Hemisphere 240V	—	X	X
<b>SN-VRCX5-W4</b>	15" (13.9" viewable) Corporate Southern Hemisphere 240V	X	—	—
<b>SN-VRCX7-W4</b>	17" (16.0" viewable) Corporate Southern Hemisphere	X	—	—
<b>SN-VRT17-W4</b>	17" (16.0" viewable) Professional Southern Hemisphere	X	X	X
<b>SN-PCXAV-CY</b>	19" (18.0" viewable) Professional Southern Hemisphere	X	X	X
<b>SN-VRCX1-W4</b>	21" (19.6" viewable) Professional Southern Hemisphere	X	X	X

1. Supported with PowerStorm 4D60T graphics options only.

**Step 10—Network Options (Optional)**

i+-series includes onboard 10/100 BaseT Ethernet controller

PCI-based Network options require 1 PCI slot		Maximum supported per system	i-series i+-series	a-series	au-series
SN-DE450-CA	EtherWORKS PCI 10mbs (twisted pair/AUI/BNC)		3	1	1
SN-DE500-BA	FastEthernet PCI 10/100mbs (twisted pair)		1	1	1
SN-PBXNP-AC	PCI Token Ring adapter		1	1	1
SN-DEFFPA-AB	PCI - FDDI adapter SAS fiber		—	1	1
SN-DEFFPA-DB	PCI - FDDI adapter DAS Fiber		—	1	1
SN-DEFFPA-MB	PCI - FDDI adapter DAS UTP		—	1	1
SN-DEFFPA-UB	PCI - FDDI adapter SAS UTP		—	1	1
PBXDA-AA	PCI Asynchronous 4-port adapter		—	1	1
PBXDA-AB	PCI Asynchronous 8-port adapter		—	1	1
SN-PBXIP-AA	PCI ISDN BRI S/T		—	1	1
SN-PBXIP-AB	PCI ISDN BRI U		—	1	1
ISA-based Network options require 1 ISA slot		Maximum supported per system	i-series i+-series	a-series	au-series
SN-PCXHF-AA	ISA Fax/modem 28.8Kbps		2	1	—
PBXDF-BA	ISA Fax/modem 28.8Kbps		—	1	1
System Enclosure bulkhead connector			i-series i+-series	a-series	au-series
SN-PCXAN-DB	10BaseT/10Base 2 Ethernet Bulkhead Connector		1	1	1
SN-PCXAN-DC	10BaseT/10Base2 Ethernet bulkhead Connector, AUI, for LX series		1	—	—
SN-PCXAN-DD	10BaseT/10Base2 Ethernet bulkhead Connector, BNC, for LX series		1	—	—

**Step 11—Hardware Supplemental Services (Optional)**

FM-W****_**	Hardware supplemental price depends on total price of the order, type of extension (e.g. Onsite Next Business Day, Onsite same business day, 7 x 24, and number of months). Refer to “Multivendor Customer Services Quick Quote Card” for part numbers (In Europe, refer to on-line Quoting System). First * after W could be A through P, depending on total list price of the hardware. Second through fourth * represent different levels (e.g. XHW for Onsite next business day service, 4 hour Onsite same business day service, and 7 x 24 service). Last two ** represent duration in months (e.g. 12, 36, 60)
FM-WSDTP-IN	Hardware Installation

**Step 11a—Software Supplemental Services—Windows NT**

FM-HD5**-**	5 x 9 Helpdesk Support
FM-HD7**-**	7 x 24 Helpdesk Support
	First two ** after 5 or 7 represent the number of calls, and could be 05, 15, or 25. Last two ** represent duration in months, and could be 12, 36, or 60

**Step 11b—Software Supplemental Services—Unix**

FM-3BUNS-12	12 Month FULL Software Supplemental Support Services
FM-3BUNS -36	36 Month FULL Software Supplemental Support Services
FM-3BUNS -60	60 Month FULL Software Supplemental Support Services
FM-3BUNN -12	12 Month NODE Software Supplemental Support Services
FM-3BUNN -36	36 Month NODE Software Supplemental Support Services
FM-3BUNN -60	60 Month NODE Software Supplemental Support Services

**Step 12—Media and Documentation (optional)**

**Windows NT User Documentation**

<b>EK-ALMIA-UI</b>	DIGITAL Personal Workstation User's Guide—English
<b>EK-ALMIF-UI</b>	DIGITAL Personal Workstation User's Guide—French
<b>EK-ALMID-UI</b>	DIGITAL Personal Workstation User's Guide—German
<b>EK-ALMIJ-UI</b>	DIGITAL Personal Workstation User's Guide—Japanese
<b>EK-ALMIS-UI</b>	DIGITAL Personal Workstation User's Guide—Spanish
<b>EK-ALMII-UI</b>	DIGITAL Personal Workstation User's Guide—Italian
<b>ER-B30WW-IM</b>	DIGITAL Personal Workstation Quick Setup Guide—Multilingual

**DIGITAL UNIX User Documentation**

<b>QA-MT4AA-GZ</b>	DIGITAL UNIX 4.0c Full Documentation kit
<b>QA-MT4AB-GZ<sup>1</sup></b>	DIGITAL UNIX 4.0c End-User Documentation kit

1. Included in Full Documentation kit

**DIGITAL UNIX Software Media and Optional Licenses**

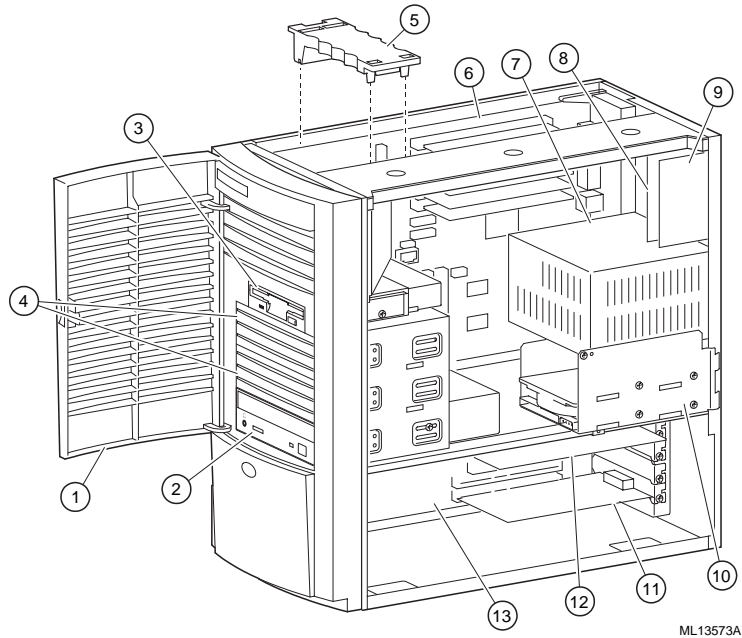
<b>QA-MT4AA-H8</b>	DIGITAL UNIX 4.0c Media & Documentation kit
<b>QL-MT7AE-AA</b>	DIGITAL UNIX 4.0c Unlimited User License
<b>QL-MT6AE-AA</b>	DIGITAL UNIX 4.0c Server Extensions License
<b>QL-MT5AE-AA</b>	DIGITAL UNIX 4.0c C Developer's Extensions License
<b>QL-MT7AM-3B</b>	DIGITAL UNIX 4.0c 1-User Concurrent License
<b>QL-MT7AM-3C</b>	DIGITAL UNIX 4.0c 2-User Concurrent License
<b>QL-MT7AM-3D</b>	DIGITAL UNIX 4.0c 4-User Concurrent License
<b>QL-MT7AM-3E</b>	DIGITAL UNIX 4.0c 8-User Concurrent License
<b>QL-MT7AM-3F</b>	DIGITAL UNIX 4.0c 16-User Concurrent License
<b>QL-MT7AM-3G</b>	DIGITAL UNIX 4.0c 32-User Concurrent License
<b>QL-MT7AM-3H</b>	DIGITAL UNIX 4.0c 64-User Concurrent License

NOTE: All DIGITAL UNIX systems include 2-user Base license

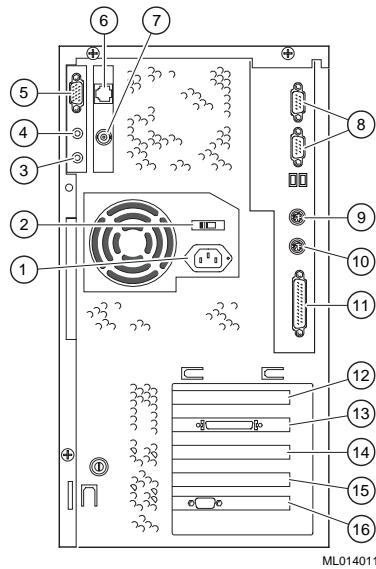
**Specifications**

<b>Height</b>	40.64 cm (16 inches)
<b>Width</b>	21.59 cm (8.5 inches)
<b>Depth</b>	44.45 cm (17.5 inches)

DIGITAL Personal Workstations System Diagram (i-Series, a-Series, au-Series)



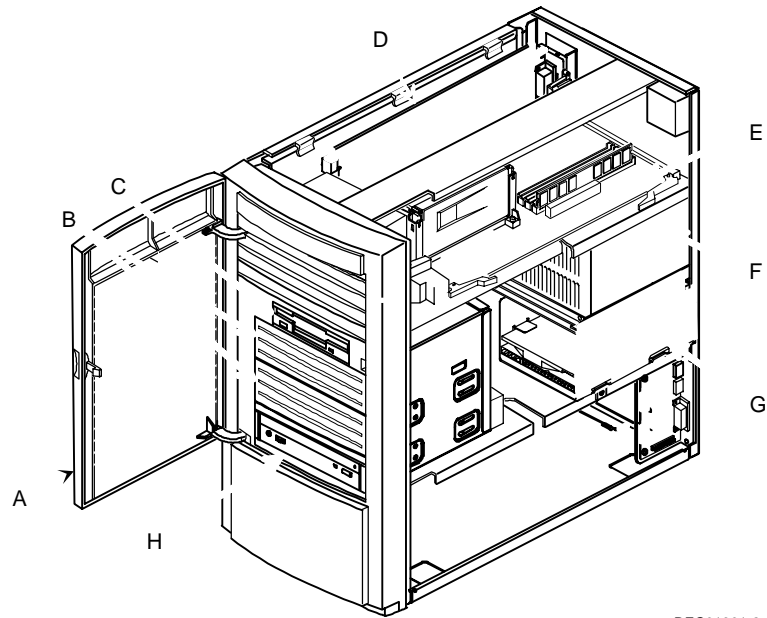
- |   |   |
|---|---|
| <ol style="list-style-type: none"> <li>1. Front door assembly</li> <li>2. 5.25" CD-ROM drive bay</li> <li>3. 3.5" floppy diskette drive bay</li> <li>4. Two 5.25" removable media bays</li> <li>5. Main Logic Board retainer bracket</li> <li>6. Main Logic Board</li> <li>7. Power supply</li> </ol> | <ol style="list-style-type: none"> <li>8. Ethernet connector card (MAU or MII)</li> <li>9. Audio connector card</li> <li>10. Two 3.5" x 1" hard disk drive bays</li> <li>11. 64-bit (or 32-bit) PCI option installed on riser card</li> <li>12. ISA card installed in PCI/ISA combination slot</li> <li>13. Riser card</li> </ol> |
|---|---|



- |   |  |
|---|--|
| <ol style="list-style-type: none"> <li>1. AC power connector</li> <li>2. Voltage selector switch</li> <li>3. Audio line In</li> <li>4. Speaker Out</li> <li>5. MIDI adapter or joystick connector</li> <li>6. Ethernet Twisted pair</li> <li>7. ThinWire Ethernet (optional)</li> <li>8. Communication ports 1 and 2</li> </ol> | <ol style="list-style-type: none"> <li>9. Mouse port</li> <li>10. Keyboard port</li> <li>11. Parallel port</li> <li>12. Slot 1: 32-bit PCI (half size slot)</li> <li>13. Slot 2: 32-bit PCI/ISA (half size slot)</li> <li>14. Slot 3: 32-bit PCI/ISA (full size slot)</li> <li>15. Slot 4: 64-bit PCI/ISA (full size slot)</li> <li>16. Slot 5: 64-bit PCI (full size slot)</li> </ol> |
|---|--|

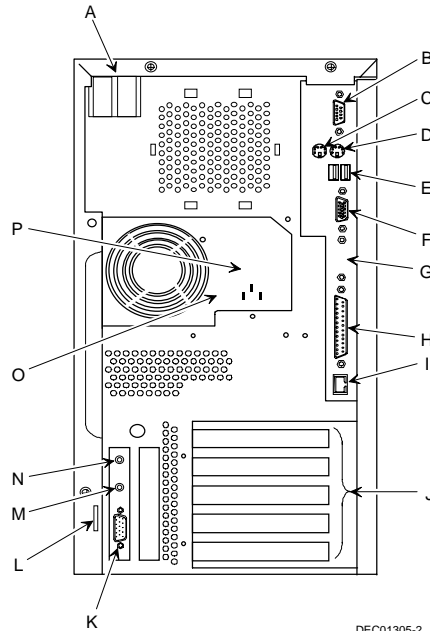
# DIGITAL Personal Workstations

## DIGITAL Personal Workstations System Diagram (i+-Series)



DEC01301-2

- |   |  |
|---|--|
| <ul style="list-style-type: none"> <li>A. Door assembly</li> <li>B. Front access 5¼-inch</li> <li>C. 3½-inch diskette drive</li> <li>D. Main Logic Board</li> <li>E. Pentium II processor module</li> </ul> | <ul style="list-style-type: none"> <li>F. Power supply</li> <li>G. Internal 3½-inch drive bays (supports IDE, and wide SCSI hard disk)</li> <li>H. CD-ROM drive</li> </ul> |
|---|--|



DEC01305-2

- |  |   |
|--|---|
| <ul style="list-style-type: none"> <li>A. Optional AGP port connector</li> <li>B. Video port connector</li> <li>C. Keyboard connector</li> <li>D. Mouse connector</li> <li>E. USB ports</li> <li>F. Serial port connector 1</li> <li>G. Serial port connector 2</li> <li>H. Parallel port connector</li> </ul> | <ul style="list-style-type: none"> <li>I. 10 Base-T port connector (RJ45)</li> <li>J. Expansion board slots</li> <li>K. MIDI/joystick port connector</li> <li>L. Chassis lockdown</li> <li>M. Speaker out</li> <li>N. Line in (microphone)</li> <li>O. ac line connector</li> <li>P. Voltage select switch</li> </ul> |
|--|---|