



## DIGITAL Server 3300 Pedestal—Rackmount

V2.0—3 February 1998

DIGITAL Systems and Options Catalog

### Product Description

The DIGITAL Server 3300 is an Alpha CPU server for Windows NT, available in 400 MHz, and 500 MHz versions, both with 2MB ECC cache. The system is available in Pedestal and Rackmount versions. The DIGITAL Server 3300 offers the following high-reliability features: hot swap drives, Remote Management Console, and ECC memory. Integrated on the system motherboard is an UltraSCSI-2 controller, SVGA controller (TRIO-S3, 1MB RAM), Remote Management Console, diskette controller, two serial ports, one parallel port, and keyboard and mouse interfaces.

The DIGITAL Server 3300 Pedestal and Rackmount Packaged Systems offer up to 8 internal storage devices, including a floppy diskette drive, a CD-ROM, two additional 5.25-inch removable media bays for optional removable media drives, and four hot swap SCA-2 UltraSCSI disk drives. The system supports up to 36 GB of internal storage (with four 9 GB disks) and 2GB memory.

The DIGITAL Server 3300 integrated Remote Management Console (RMC) features significantly enhance the ability to remotely manage and diagnose system conditions. The RMC allows a remote operator to monitor server voltages, temperatures, and fan, as well as manipulate the server (Power On/Off, reset, halt). An auxiliary regulator powers the RMC in the main power system that allows systems to be remotely interrogated even if systems are turned off or shut down. In the event of an alert condition, the RMC can be set up to automatically dial a user-definable pager phone or another system to make a remote operator aware of the alert condition.

ServerWORKS Manager provides proactive server and network management capabilities and is bundled with all DIGITAL AlphaServer and Intel server systems. Simple Network Management Protocol (SNMP) enables information to pass from the managed system to the ServerWORKS management console for Windows NT systems. ServerWORKS is feature rich and uses an autodiscovery process to automatically discover all servers and network devices on the LAN and build a Topology Map so the administrator can see how the systems are connected together. Detailed server information is available by drilling down into the server to retrieve critical data which gets displayed on an easy to read system browser. System, network, storage, and environmental information is retrievable. Alarms can be set on critical system parameters and events to notify the administrator of a problem before it occurs enabling proactive management (instead of reactive management) of systems. All DIGITAL Server systems are supplied with management tools to complement ServerWORKS Manager.

---

DIGITAL believes the information in this publication is accurate as of its publication date; such information is subject to change without notice. DIGITAL is not responsible for any inadvertent errors.

DIGITAL conducts its business in a manner that conserves the environment and protects the safety and health of its employees, customers, and the community.

DIGITAL, the DIGITAL logo are trademarks of Digital Equipment Corporation.

Printed in USA. Copyright 1998 Digital Equipment Corporation. All rights reserved.

---

## Step 1—DIGITAL Server 3300 Pedestal and Rackmount Systems

DIGITAL Server 3300 are available in three configurations

- **Windows NT Packaged Systems**
  - Includes one memory kit (64 MB or 128 MB,  
One 4.3 GB hard disk drive  
Windows NT Factory Installed Software (FIS) Windows NT Server 4.0 on hard disk drive
  - Selection of Windows NT Server 4.0 plus 10-client access license, media kit (CD-ROM) is **mandatory** for DIGITAL Server 3300 Windows NT Packaged Systems
- **Memory Packaged Systems**
  - Includes one memory kit (64 MB or 128 MB)
  - Disk drives and Windows NT operating system are not included
  - Order disk drives separately
  - Windows NT license and media kit is **not** available from DIGITAL for DIGITAL Server 3300 Memory Packaged Systems, order directly from Microsoft.
- **System Building Blocks**
  - Memory, disk drives, and Windows NT operating system are not included
  - Order memory and disk drives separately
  - Windows NT license and media kit is **not** available from DIGITAL for DIGITAL Server 3300 System Building Blocks, order directly from Microsoft.
- Options ordered will be factory installed unless specified as spares.

---

### All Pedestal and Rackmount Systems include

- Processor module with:
    - Alpha microprocessor 21164  
with 400MHz CPU or 500MHz CPU  
each CPU includes 2 MB ECC onboard cache
  - Pedestal or Rackmount enclosure with:
    - Six expansion slots: three 32 bit-PCI and one  
64 bit-PCI/EISA combination and two EISA slots
    - Integral UltraSCSI (internal only SCSI bus) supports  
removable media (CD-ROMs and tapes) and internal  
drive shelf
    - Support for 2 GB maximum system memory
    - Eight storage slots:  
One floppy drive slot with 1.44 MB floppy drive  
One CD-ROM drive slot with 600 MB CD-ROM  
Two additional half height (or one full height)  
removable media slots  
Four hot-swap hard drive bays
  - 350 Watt switchable (120/240 V, 50/60 Hz) power supply
  - Two serial ports support full duplex asynchronous modem control
  - One bi-directional enhanced parallel port
  - PS/2 style keyboard port and mouse port
  - Mandatory selection of a country kit which includes power cord, keyboard, and 3-button mouse, see Step 7.
  - PCI-based Fast 100 Ethernet (Twisted Pair)—uses one PCI slot
  - US English documentation
  - Integrated Advanced Server Management features, including ServerWORKS Manager kit
  - Hardware warranty: three-year on-site<sup>1</sup>
  - Software warranty<sup>1</sup>
1. Service upgrades are available; see Step 10.

---

### Step 1a—DIGITAL Server 3300 Pedestal and Rackmount Systems

- Digital's OEM license agreement for Windows NT mandates compliance with specific configuration rules:
- Windows NT Language Configuration
  - All Windows NT Packaged Systems include factory-installed software (FIS).
  - Selection of language-specific Windows NT Server 4.0 license/media (CD-ROM) kit is **mandatory** when ordering a Windows NT Packaged System, see Step 9.
- Windows NT is **not** available from Digital for DIGITAL Server 3300 System Building Blocks or Memory Packages Systems.
- Software Warranty
  - Warranty on Microsoft's Windows NT Server 4.0 is conformance to the written material accompanying the software for a period of ninety days.
- Video monitor is required for system management; order separately if not available at customer site.

---

**Step 1a—DIGITAL Server 3300 Pedestal and Rackmount Systems (continued)**
**Pedestal Windows NT Packaged Systems**

Selection of language-specific Windows NT Server 4.0 license/media (CD-ROM) kit is **mandatory** when ordering a Windows NT Packaged System, see Step 9.

Order Number	O/S Media	CPU Speed	Country kit	Memory	Disk	Fast Ethernet	Graphics	Monitor
FR-K7F2W-AA	Mandatory	400 MHz	Mandatory	64 MB	4.3GB	Included	Included	Required
FR-K7F2W-AB	Mandatory	400 MHz	Mandatory	128MB	4.3GB	Included	Included	Required
FR-K7F4W-AA	Mandatory	500 MHz	Mandatory	64 MB	4.3GB	Included	Included	Required
FR-K7F4W-AB	Mandatory	500 MHz	Mandatory	128MB	4.3GB	Included	Included	Required

**Pedestal Memory Packaged Systems**

Windows NT is not available from DIGITAL for Memory Packaged Systems, order directly from Microsoft.

Order Number	O/S Media	CPU Speed	Country kit	Memory	Disk	Fast Ethernet	Graphics	Monitor
FR-K7F2W-WB	Required <sup>1</sup>	400 MHz	Mandatory	64 MB	Required	Included	Included	Required
FR-K7F2W-WC	Required <sup>1</sup>	400 MHz	Mandatory	128MB	Required	Included	Included	Required
FR-K7F4W-WB	Required <sup>1</sup>	500 MHz	Mandatory	64 MB	Required	Included	Included	Required
FR-K7F4W-WC	Required <sup>1</sup>	500 MHz	Mandatory	128MB	Required	Included	Included	Required

**Pedestal System Building Blocks**

Windows NT is not available from DIGITAL for System Building Blocks, order directly from Microsoft.

Order Number	O/S Media	CPU Speed	Country kit	Memory	Disk	Fast Ethernet	Graphics	Monitor
FR-K7F2W-WA	Required <sup>1</sup>	400 MHz	Mandatory	Required	Required	Included	Included	Required
FR-K7F4W-WA	Required <sup>1</sup>	500 MHz	Mandatory	Required	Required	Included	Included	Required

1. Windows NT Server 4.0 license and media (CD-ROM) kit is **not** available from DIGITAL for these systems. Order directly from Microsoft.

**Key:** Mandatory items must be on purchase order at initial order acceptance.  
Required items are essential for full system operation.

**Step 1a—DIGITAL Server 3300 Pedestal and Rackmount Systems** *(continued)***DIGITAL Server 3300 Rackmount Systems**

Rackmount systems must be placed in a cabinet. Customers may install system in an existing cabinet or select cabinet from Step 8.

**Rackmount Windows NT Packaged Systems**

Selection of language-specific Windows NT Server 4.0 license/media (CD-ROM) kit is **mandatory** when ordering a Windows NT Packaged System, see Step 9.

Order Number	O/S Media	CPU Speed	Country kit	Memory	Disk	Fast Ethernet	Graphics	Monitor
FR-R7F2W-AA	Mandatory	400 MHz	Mandatory	64 MB	4.3GB	Included	Included	Required
FR-R7F2W-AB	Mandatory	400 MHz	Mandatory	128MB	4.3GB	Included	Included	Required
FR-R7F4W-AA	Mandatory	500 MHz	Mandatory	64 MB	4.3GB	Included	Included	Required
FR-R7F4W-AB	Mandatory	500 MHz	Mandatory	128MB	4.3GB	Included	Included	Required

**Rackmount Memory Packaged Systems**

Windows NT is not available from DIGITAL for Memory Packaged Systems, order directly from Microsoft.

Order Number	O/S Media	CPU Speed	Country kit	Memory	Disk	Fast Ethernet	Graphics	Monitor
FR-R7F2W-WB	Required <sup>1</sup>	400 MHz	Mandatory	64 MB	Required	Included	Included	Required
FR-R7F2W-WC	Required <sup>1</sup>	400 MHz	Mandatory	128MB	Required	Included	Included	Required
FR-R7F4W-WB	Required <sup>1</sup>	500 MHz	Mandatory	64 MB	Required	Included	Included	Required
FR-R7F4W-WC	Required <sup>1</sup>	500 MHz	Mandatory	128MB	Required	Included	Included	Required

**Rackmount System Building Blocks**

Windows NT is not available from DIGITAL for System Building Blocks, order directly from Microsoft.

Order Number	O/S Media	CPU Speed	Country kit	Memory	Disk	Fast Ethernet	Graphics	Monitor
FR-R7F2W-WA	Required <sup>1</sup>	400 MHz	Mandatory	Required	Required	Included	Included	Required
FR-R7F4W-WA	Required <sup>1</sup>	500 MHz	Mandatory	Required	Required	Included	Included	Required

1. Windows NT Server 4.0 license and media (CD-ROM) kit is **not** available from DIGITAL for these systems. Order directly from Microsoft.

**Key:** Mandatory items must be on purchase order at initial order acceptance.  
Required items are essential for full system operation.

**Step 2—Memory**

- .. Memory Packaged Systems and Windows NT Packaged Systems include one memory kit.
- .. Memory is not included in the System Building Blocks.
- .. System supports up to two memory kits. (Each kit includes four industry-standard DIMMs with ECC support.)
- .. System supports maximum of 2 GB of memory.

FR-PCSMA-BB	64 MB	(4 x 16 MB DIMMs) memory kit
FR-PCSMA-BC	128 MB	(4 x 32 MB DIMMs) memory kit
FR-PCSMA-BD	256 MB	(4 x 64 MB DIMMs) memory kit
FR-PCSMA-BE	512 MB	(4 x 128 MB DIMMs) memory kit
FR-PCSMA-BF	1 GB	(4 x 256 MB DIMMs) memory kit

---

## Step 3—Storage

Select storage devices as required.

---

### Step 3a—Pedestal and Rackmount Internal Storage

All Pedestal and Rackmount systems include an integral UltraSCSI adapter which supports a maximum of seven internal devices, four hot-swap hard disk drives and three removable devices.

**.. Windows NT Packaged Systems include:**

- One 600 MB 12X CD-ROM drive
- One 1.44 MB diskette drive in dedicated slot
- One 4.3 GB UltraSCSI hard disk drive

**.. Memory Packaged Systems and System Building Blocks include:**

- One 600 MB 12X CD-ROM drive
- One 1.44 MB diskette drive in dedicated slot

#### Internal Hard Disk Drives

- .. Windows NT Packaged Systems include one 4.3 GB UltraSCSI SCA-2 hard disk drive (FR-CECBA-DA). Up to three additional internal hot-swap hard disk drives are supported.
- .. Memory Packaged Systems and System Building Blocks do not include a disk drive. Up to four hot-swap hard disk drives are supported.

<b>FR-CDCBA-DA</b>	2.1 GB UltraSCSI 7200 RPM 3.5 x 1-inch hard disk drive in frost white SBB
<b>FR-CECBA-DA</b>	4.3 GB UltraSCSI 7200 RPM 3.5 x 1-inch hard disk drive in frost white SBB
<b>FR-CECCA-DA</b>	4.3 GB UltraSCSI 10,000 RPM 3.5 x 1.6 inch hard disk drive in frost white SBB
<b>FR-CFCBA-DA</b>	9.0 GB UltraSCSI 7200 RPM 3.5 x 1.6-inch hard disk drive in frost white SBB

#### Internal Removable Media Devices

- .. All Pedestal and Rackmount systems include one 12X 600 MB CD-ROM drive in removable media slot, and one diskette drive in dedicated slot.
- .. System supports two additional 5.25-inch half-height removable media devices, **or** one additional 5.25-inch full-height removable media device.

<b>FR-PCXCR-AR</b>	600 MB 5.25 inch half-height 12X CD-ROM drive
<b>FR-PCXAT-AJ</b>	4/8 GB 5.25 inch half-height SCSI DDS2 DAT tape drive
<b>FR-PCXAT-AK</b>	12/24 GB 5.25 inch half-height SCSI DDS3 DAT tape drive
<b>FR-PCXAT-EA</b>	25/50 GB 5.25 inch half-height AIT tape drive
<b>FR-PCXLT-AB</b>	15/30 GB 5.25 inch full-height DLT tape drive
<b>FR-PCXLT-AD</b>	35/70 GB 5.25 inch full-height DLT tape drive

#### Internal SCSI Cable Kits

<b>PB8HA-DA</b>	Includes 68-pin SCSI cable, connects 16-bit wide SCSI controller to internal storage assembly Example – connects FR-KZPAC-xx PCI RAID controller to internal DIGITAL Server 3300 storage assembly, maximum one per system.
<b>BC25V-1H</b>	Includes 68-pin SCSI cable, connects 16-bit wide SCSI controller to bulkhead for external 16-bit wide SCSI expansion, maximum two per system

---

### Step 3b—Storage Controllers

- .. All packaged systems include an integral UltraSCSI adapter that supports seven internal devices (four SCA-2 hard disk drives, plus three removable media drives).
- .. Maximum four PCI-based FR-KZPAC-xx SCSI controllers supported per system.
  - FR-KZPAC-xx PCI RAID controller includes RAID Array 230/Plus Subsystem Software and documentation kit for Windows NT.
  - FR-KZPAC-AA one-port controller installed in system requires a PB8HA-DA SCSI cable kit for connection to internal storage assembly.
  - FR-KZPAC-CA three-port controller installed in system requires one PB8HA-DA SCSI cable kit for connection to internal storage assembly, or one BC25V-1H cable kit to connect third-port to expansion bulkhead breakout for external expansion.
  - If the internal drives are connected to a PCI based RAID controller (instead of the integral UltraSCSI controller), Fault Management must be disabled when the RCU (Raid Configuration Utility) is executed.

#### SCSI Controllers

<b>FR-PCTAZ-DF</b>	One-port PCI UltraSCSI Single-Ended adapter (68 pin HD), maximum four per system
<b>FR-PCTAZ-EC</b>	Two-port PCI UltraSCSI Single-Ended adapter (68 pin HD), maximum four per system
<b>FR-PCTBZ-AA</b>	Two-Port PCI UltraSCSI Single-Ended (.8 mm 68-pin VHDCI) 1 Channel 10/100Mb Ethernet combination adapter, maximum three per system
<b>FR-KZPAC-AA</b>	One-port PCI UltraSCSI RAID controller with 4 MB cache memory, includes RAID Array 230/Plus Subsystem Software and documentation kit. 68-pin HD connector on the module for internal connection and .8 mm 68-pin VHDCI connector on module's standard PCI bulkhead for external connections. Requires selection of appropriate SCSI cables listed below
<b>FR-KZPAC-CA</b>	Three-port PCI UltraSCSI RAID controller with 4 MB cache memory, includes RAID Array 230/Plus Subsystem Software and documentation kit. Tape drives are not supported. Two external 68-pin VHDCI connectors on module's standard PCI bulkhead for external connections. SCSI cable are required for each active port. BN31K-0E or KZPAC-SB or BC25V-1H must be ordered for connection of third port to DIGITAL Server 3300 bulkhead breakout
<b>FR-KZPAC-CB</b>	Same as FR-KZPAC-CA with 8 MB cache memory
<b>FR-KZPSC-UB</b>	Cache battery-backup option for FR-KZPAC-xx controllers

#### Cables

<b>FR-BN38C-02/05</b>	External UltraSCSI cable; 68-pin HD male to 68-pin VHDCI male, 2 meter/5 meter lengths
<b>FR-BN37A-02/05</b>	External UltraSCSI cable; VHDCI male to VHDCI male (-02/-05 = 2/5 meter length)
<b>PB8HA-DA</b>	SCSI cable kit for internal connection of FR-KZPAC third-port, FR-PCTAZ, and FR-PCTBZ to DIGITAL Server 3300 internal storage assembly (68pin), maximum one per system.
<b>BC25V-1H</b>	SCSI cable/bulkhead assembly kit for connection of third port on FR-KZPAC-CA/CB to DIGITAL Server 3300 expansion bulkhead breakout, uses one expansion breakout slot, maximum two per system.
<b>BN31K-0E</b>	SCSI cable/bulkhead assembly kit for connection of third port on FR-KZPAC-CA/CB to DIGITAL Server 3300 to PCI/EISA bulkhead slot. Uses one PCI/EISA bulkhead slot.
<b>FR-KZPAC-SB</b>	SCSI bulkhead assembly kit with two ports, allows connection of two third-port outputs on FR-KZPAC controllers to a single bulkhead PCI/EISA slot. Uses one PCI/EISA bulkhead slot.

---

### Step 3c—DIGITAL Cluster Kits for Windows NT and External Storage Options

#### Cluster Kits

- .. Cluster Kits includes all necessary hardware and cluster software required to create a 2-node Windows NT cluster environment.
- .. Systems, disk drives, and Windows NT server licenses are not included.

<b>FR-CK356-UP</b>	BA356U Cluster Kit—Pedestal version
<b>FR-CK356-UR</b>	BA356R Cluster Kit—Rackmount version

---

**Step 3d—External Storage**

<b>FR-BA356-PA</b>	UltraSCSI shelf for Pedestal, supports 7 UltraSCSI SBB disk drives
<b>FR-BA356-PD</b>	UltraSCSI shelf for Cabinet, supports 7 UltraSCSI SBB disk drives
<b>FR-BA35X-HK</b>	180 Watt universal AC input power supply; maximum two per FR-BA365-PA/PD
<b>FR-RZ1BB-VW</b>	2.1 GB UltraSCSI 7200 RPM hard disk drive in SSB
<b>FR-RZ1CB-VW</b>	4.3 GB UltraSCSI 7200 RPM hard disk drive in SSB
<b>FR-RZ1DB-VW</b>	9.0 GB UltraSCSI 7200 RPM hard disk drive in SSB
<b>FR-SWXRA-Z1</b>	RA310 Subsystem
<b>FR-SWXRA-Z2</b>	RA310 Expansion Kit
<b>FR-SWXRC-03</b>	RA310 Replacement Controller
<b>FR-BECCA-CA</b>	4.3 GB UltraSCSI 10,000 RPM hard disk drive in Frost White SBB
<b>FR-RZ1CD-VW</b>	4.3 GB UltraSCSI 10,000 RPM hard disk drive in Top Gun Blue SBB

**Power Cords**

Order country-specific input power cords for external Storage expansion

<b>Order Number</b>	<b>Country/Voltage</b>	<b>Amps</b>	<b>Plug</b>	<b>Meters (Feet)</b>
<b>BN27S-03</b>	U.S./Japan, 250 V	15	NEMA 5-15	3.0 (9.8)
<b>BN19H-2E</b>	Australia/New Zealand, 250 V	10	AS 3112-1981	2.5 (8.2)
<b>BN19C-2E</b>	Central Europe, 250 V	10	CEE 7/7(Schuko)	2.5 (8.2)
<b>BN19A-2E</b>	U.K./Ireland, 250 V	10	BS 1363	2.5 (8.2)
<b>BN19E-2E</b>	Switzerland, 250 V	10	SEV 1011	2.5 (8.2)
<b>BN19K-2E</b>	Denmark, 250 V	10	Afsnit 107	2.5 (8.2)
<b>BN19Z-2E</b>	Italy, 250 V	10	CEI 23-16/VII	2.5 (8.2)
<b>BN19S-2E</b>	India/South Africa, 250 V	10	BS 546	2.5 (8.2)
<b>BN18L-2E</b>	Israel, 250 V	10	SI 32	2.5 (8.2)

---

**Step 4—Monitors**

- .. Windows NT systems require a graphics monitor to run all functions.
- .. Selection of a country specific power cord is **mandatory** for Northern Hemisphere monitors order for use outside North America and Japan. Selection of a country specific power cord is mandatory for all Southern Hemisphere monitors.
- .. Graphics monitors other than those listed below can be used if compatible with SVGA graphics included with system.

<b>FR-PCXBV-EZ/EY</b>	15" (13.9" viewable image size) Corporate Series auto-scanning color monitor, flat square invar CRT, 0.28 mm dot pitch, VGA to 1024 x 768 @ 65 Hz, TCO 92, MPRII, Energy Star, attached video cable. Country specific power cord for -EZ and -EY variants is mandatory. -EZ = Northern Hemisphere with 120 V power cord. -EY = Southern Hemisphere without power cord.
<b>FR-PCXAV-YZ/YY</b>	17" (16.0" viewable image size) professional series auto-scanning color monitor, Trinitron CRT, 0.25 mm aperture grill pitch, VGA to 1280 x 1024 at 65 Hz, TCO 92, MPR-II, Energy Star, HD15 male to male video cable. Country specific power cord for -YZ and -YY variants is mandatory. -YZ = Northern Hemisphere with 120 V power cord. -YY = Southern Hemisphere without power cord.
<b>FR-PCXAV-WZ/WY</b>	21" (19.7" viewable image size) auto-scanning color monitor, 0.28 Dot Pitch, VGA to 1280 x 1024 at 65 Hz NI, TCO 92, Energy Star, includes video cable. Country specific power cord for -WZ and -WY variants is mandatory. -WZ = Northern Hemisphere with 120 V power cord. -WY = Southern Hemisphere without power cord.

---



---

## Step 4—Monitors (*continued*)

### Monitor Power Cords

Selection of a country specific power cord is **mandatory** for Northern Hemisphere monitors ordered for use outside North America and Japan, and for all Southern Hemisphere monitors.

<b>BN27Y-1J</b>	North American, Japan, 120 V, 75-inches long
<b>BN19H-2E</b>	Australia, New Zealand, 2.5 meters long
<b>BN19C-2E</b>	Central Europe, 2.5 meters long
<b>BN19A-2E</b>	UK, Ireland, 2.5 meters long
<b>BN19E-2E</b>	Switzerland, 2.5 meters long
<b>BN19K-2E</b>	Denmark, 2.5 meters long
<b>BN19M-2E</b>	Italy, 2.5 meters long
<b>BN19S-2E</b>	Egypt, India, South Africa, 2.5 meters long
<b>BN18L-2E</b>	Israel, 2.5 meters long

---



---

## Step 5—Graphics Adapters

- .. Select only if additional PCI graphics card is required.
- .. All systems include onboard SVGA with 1 MB video RAM. On-board SVGA must be disabled before installing a PCI graphics options.
- .. Maximum one graphics card supported per system. Onboard SVGA must be disabled.

**FR-PB2GA-JC** PCI-based 1-MB DRAM graphics adapter , Windows NT

---



---

## Step 6—Networks and Communications

- .. Systems include PCI-based Fast-100 Ethernet (Twisted Pair) controller (FR-DE500-AA).
- .. Select networking cable for Ethernet controller
  - BN25G-03/04/07 or BN24Q-xx for 10BaseT (Twisted Pair)

<b>FR-DE500-BA</b>	PCI-based Fast Ethernet network interface card, maximum four per system.
<b>FR-DE450-CA</b>	PCI-based DIGITAL Etherworks 32-bit network interface card (Twisted Pair, Thickwire, ThinWire), maximum four per system.
<b>FR-DEFPA-AB</b>	PCI-based DEC FDDI controller, single attachment; maximum four per system.
<b>FR-DEFPA-DB</b>	PCI-based DEC FDDI controller, dual attachment, maximum four per system.
<b>FR-DEFPA-UB</b>	PCI-based DEC FDDI controller (UTP); maximum four per system.
<b>FR-PCXFA-AA</b>	PCI-based, 56Kbps modem, maximum four per system.
<b>FR-PCXFA-BA</b>	External, 56Kbps modem

---

## Step 7—Country Kits and Miscellaneous Options

### DIGITAL Server 3300 Country Kits

.. Selection of country is mandatory.

.. Country kits include a 105-key, PC-style keyboard. Three button mouse and one 2.5 meter power cord.

**Note:** For Rackmount systems, selection of a 16" keyboard and mouse kit is recommended if keyboard is to fit in the rack.

Country Kits		Country Kits	
FR-PCK7W-AA	North American country kit	FR-PCK7W-AV	Portuguese country kit
FR-PCK7W-AB	Belgium country kit	FR-PCK7W-AZ	Australia country kit
FR-PCK7W-AC	French Canadian country kit	FR-PCK7W-BH	Greek country kit
FR-PCK7W-AD	Danish country kit	FR-PCK7W-BI	Taiwan country kit
FR-PCK7W-AE	UK/Ireland country kit	FR-PCK7W-BK	South Korea country kit
FR-PCK7W-AF	Finnish (SUOMI) country kit	FR-PCK7W-BQ	Hungarian country kit
FR-PCK7W-AG	German country kit	FR-PCK7W-BR	Arabic country kit
FR-PCK7W-AI	Italian country kit	FR-PCK7W-BT	Russian (Cyrillic) country kit
FR-PCK7W-AK	Swiss country kit	FR-PCK7W-BU	Turkish country kit
FR-PCK7W-AM	Swedish country kit	FR-PCK7W-BY	Japanese Kangi country kit
FR-PCK7W-AN	Norwegian country kit	FR-PCK7W-CA	Far East country kit
FR-PCK7W-AP	French country kit	FR-PCK7W-CE	Philippine country kit
FR-PCK7W-AQ	Isobilingual Canadian country kit	FR-PCK7W-CG	Vietnam country kit
FR-PCK7W-AS	Spanish country kit	FR-PCK7W-CP	Thailand country kit
FR-PCK7W-AT	Hebrew (Israel) country kit	FR-PCK7W-CQ	Iceland country kit
FR-PCK7W-CT	Latin America Spanish country kit	FR-PCK7W-CV	PRC China country Kit
FR-PCK7W-CZ	Czechoslovakian country kit	FR-PCK7W-EC	European country kit

---

### Rackmount Power Cords

.. Country kits include a 2.5 meter power cord. If another power cord is selected, both power cords ship with system.

.. For Rackmount systems, selection of a 4.5 meter power cord is recommended for fully configured cabinets.

BN20Q-4E	15-ft (4.5meter) 240V, North American, 50 Hz power cord, connects system to power distribution unit located inside cabinet
BN20Z-4E	15-ft (4.5meter) 120V, 60 Hz power cord, connects system to power distribution unit located inside cabinet
2T-00365-17	15-foot (4.5meter) 240V, IEC 320 power cord

---

### Air Filter Option

PB8HA-CA Pedestal Air filter (installs in front of fixed storage disk area)

---

### Pedestal to Rackmount Conversion Kit

PB8HA-BA DIGITAL Server 3300 Pedestal to Rackmount conversion kit. Includes bezel, slide rails and mounting hardware necessary to mount system in any cabinet equipped with industry-standard RETMA or METRIC rails. Rackmount power cords must be ordered separately.

---

### Mouse

PCXLN-AD 3-button mouse (included with all country kits, order as spare or replacement)

---

## Step 8—Cabinet Enclosure

- .. Selection of Rackmount enclosure and accessories is optional.
  - .. Rackmount systems and cabinet enclosures ship separately. System will **not** be integrated into cabinet prior to shipment.
- 

### Rackmount Enclosure

<b>FR-PCSRA-RC</b>	115v Cabinet, 81” high, 42U
<b>FR-PCSRA-RD</b>	240v Cabinet, 81” high, 42U

---

### Line Cords Kits

Line Cord Kits include one 2.5 meter power cord.

<b>FR-PCTXH-JA</b>	U.S. Line Cord
<b>FR-BN19A-2E</b>	UK/Ireland Line Cord
<b>FR-BN19C-2E</b>	Central Europe Line Cord
<b>FR-BN19K-2E</b>	Denmark Line Cord
<b>FR-BN24T-2E</b>	Switzerland Line Cord

---

### Power Access Options

Power access options kits include eight 2.5 meter power cords.

<b>FR-PCSRA-DS</b>	North America Server Power Cord Kit
<b>FR-PCSRA-DT</b>	Danish Server Power Cord Kit
<b>FR-PCSRA-DU</b>	UK/Ireland Server Power Cord Kit
<b>FR-PCSRA-DV</b>	North America Server Power Cord Kit
<b>FR-PCSRA-DW</b>	Israeli Server Power Cord Kit
<b>FR-PCSRA-DX</b>	Swiss Server Power Cord Kit
<b>FR-PCSRA-DY</b>	Australian Server Power Cord Kit

---

### Mounting Options

<b>FR-PCSRA-CT</b>	FR-BA356 Mounting Kit
<b>FR-PCSRA-CU</b>	RAID 310 Mounting Kit
<b>FR-PCSRA-EA</b>	19” Steel mounting angles (17U)
<b>FR-PCSRA-CS</b>	19” Steel mounting angles (12U)
<b>FR-PCSRA-DP</b>	19” Steel mounting angles ( 4U)
<b>FR-PCSRA-DZ</b>	19” Steel mounting angles ( 2U)
<b>FR-PCSRA-EP</b>	Chassis support rails

---

### Shelf Options

Select Fixed Monitor Shelf or Keyboard/Mouse Shelf to mount monitor and keyboard into FR-PCSRA-RA/RD cabinet.

<b>FR-PCSRA-CI</b>	Universal Shelf (1U)
<b>FR-PCSRA-EN</b>	Fixed monitor shelf
<b>FR-PCSRA-EM</b>	Keyboard/mouse shelf

---

### Console Options

<b>FR-PCSRA-CY</b>	4 Port Desktop Console
<b>FR-PCSRA-CZ</b>	8 Port Desktop Console
<b>FR-PCSRA-CW</b>	Rackmounting Kit for 4 Port Desktop Console
<b>FR-PCSRA-CX</b>	Rackmounting Kit for 8 Port Desktop Console

---



---

## Step 8—Cabinet Enclosure (*continued*)

### Cables and Console Options

FR-PCSRA-DA	10 ft cable kit for connecting Server to Console
FR-PCSRA-DB	20 ft cable kit for connecting Server to Console
FR-PCSRA-DD	25 ft cable kit for connecting Server to Console
FR-PCSRA-DE	3 ft Daisy chain cable kit
FR-PCSRA-DF	50 ft Master Console Remote System
FR-PCSRA-DG	100ft Master Console Remote System
FR-PCSRA-DH	150ft Master Console Remote System
FR-PCSRA-DI	Virtual Keyboard and mouse

---

### Keyboards and Mouse Kits

Keyboard and mouse kits include a 16-inch keyboard and a two button mouse.

**Select if Rackmounting keyboard into cabinet.** Order keyboard/mouse shelf (FR-PCSRA-EM) separately.

FR-PCR2K-AA	Keyboard and mouse—English
FR-PCR2K-AB	Keyboard and mouse—Belgium
FR-PCR2K-AE	Keyboard and mouse—UK
FR-PCR2K-AF	Keyboard and mouse—Finnish/Swedish
FR-PCR2K-AG	Keyboard and mouse—German/Austrian
FR-PCR2K-AI	Keyboard and mouse—Italian
FR-PCR2K-AK	Keyboard and mouse—Swiss
FR-PCR2K-AN	Keyboard and mouse—Norwegian
FR-PCR2K-AP	Keyboard and mouse—French
FR-PCR2K-AS	Keyboard and mouse—Spanish

---

### Additional Rackmount Options

FR-PCSRA-DK	Side panel locks (2 pair)
FR-PCSRA-DQ	15U Blanking Panel Kit
FR-PCSRA-ER	Auxiliary cable management arm, RETMA
FR-PCSRA-DR	Rack Baying Kit

---



---

## Step 9—Software

### Windows NT

Selection of language-specific Windows NT Server 4.0 license/media (CD-ROM) kit is **mandatory** when ordering a DIGITAL Server 3300 Windows NT Package System.

Windows NT Server 4.0 license and media (CD-ROM) kit is **not** available from Digital for DIGITAL Server 3300 Memory Packaged Systems and System Building Blocks. Order directly from Microsoft.

### Windows NT Server plus 10-client access license, media kits (CD-ROM)

Select for DIGITAL Server 3300 Windows NT Packaged Systems **only**

QB-23CAA-SB	Windows NT server license, media kit North American English
QB-23C8A-SB	Windows NT Server license, media kit International English
QB-23CPA-SB	Windows NT server license, media kit French
QB-23CGA-SB	Windows NT server license, media kit German
QB-23CSA-SB	Windows NT server license, media kit Spanish
QB-23CUA-SB	Windows NT server license, media kit Italian
QB-23CJA-SB	Windows NT server license, media kit Japanese
QB-23CTA-SB	Windows NT server license, media kit Hebrew

---



---

**Step 9—Software (*continued*)**

Select for DIGITAL Server 3300 Windows NT Packaged Systems **only**

<b>QB-23CMA-SB</b>	Windows NT server license, media kit Swedish
<b>QB-23CQA-SB</b>	Windows NT server license, media kit Arabic
<b>QB-23C5A-SB</b>	Windows NT Server license, media kit Thai
<b>QB-23CHA-SB</b>	Windows NT server license, media kit Dutch
<b>QB-23CVA-SB</b>	Windows NT server license, media kit Brazilian/Portuguese
<b>QB-23C4A-SB</b>	Windows NT server license, media kit Korean
<b>QB-23C3A-SB</b>	Windows NT server license, media kit Taiwanese
<b>QB-23C2A-SB</b>	Windows NT server license, media kit PRC Chinese

---



---

**Step 10—Hardware and Software Supplemental Support Services**
**Hardware—Americas and Asia Pacific only**

- .. Systems include three-year hardware warranty, on-site with 5 x 9, 24-hour response time.
- .. Select optional Hardware Supplemental Support Services if required.
- .. Select optional Hardware Installation.

<b>FM-3A4HR-36</b>	5 x 9, 4-hour response time
<b>FM-3A724-36</b>	7 x 24, 4-hour response time
<b>FM-3AINS-IN</b>	Hardware Installation

---

**Software—Americas and Asia Pacific Only**
**Bronze Software Support for Tier 3 (9 hours a day, 5 days a week, two hour callback)**

The following part numbers provides Bronze software support for Tier 3 Windows NT server and layered products as identified on Supported Products List 1. Telephone and electronic communications provide access to DIGITAL Windows NT technical expertise 9 hours a day, 5 days a week for time period indicated. Includes two hour callback and product support provided by specialists.

<b>FM-NMB53-12</b>	1 year, 9 hours a day, 5 days a week, two hour callback Bronze Software Support for Tier 3 Windows NT Server and Layered Products
<b>FM-NMB53-36</b>	3 year, 9 hours a day, 5 days a week, two hour callback Bronze Software Support for Tier 3 Windows NT Server and Layered Products
<b>FM-NMB53-60</b>	5 year, 9 hours a day, 5 days a week, two hour callback Bronze Software Support for Tier 3 Windows NT Server and Layered Products

**Extension for Bronze Software Support for Tier 3 (9 hours a day, 5 days a week, two hour callback)**

Extends Bronze software support for Tier 3 Windows NT Hardware platforms. Support is extended for all supported products from the main system to each additional system. Telephone and electronic communications provide access to Digital Windows NT technical expertise 9 hours a day, 5 days a week for time period indicated. Main System Support is a prerequisite, see Bronze Software Support for Tier 3 above.

<b>FM-NDB53-12</b>	Extends 1 year Bronze Software Support (FM-NMB53-12) for 1 year
<b>FM-NDB53-36</b>	Extends 3 year Bronze Software Support (FM-NMB53-36) for 3 years
<b>FM-NDB53-60</b>	Extends 5 year Bronze Software Support (FM-NMB53-60) for 5 years

---



---

## Step 10—Hardware and Software Supplemental Support Services (*continued*)

### Bronze Software Support for Tier 3 (24 hours a day, 7 days a week, two hour callback)

Provides Bronze Software Support for Tier 3 Windows NT server and layered products as identified on Supported Products List 1. Telephone and electronic communications provide access to Digital Windows NT technical expertise 24 hours a day, 7 days a week for time period indicated. Includes two hour callback and product support provided by specialists.

<b>FM-NMB73-12</b>	1 year 24 hours a day, 7 days a week, two hour callback Bronze Software Support for Windows NT Server and Layered Products
<b>FM-NMB73-36</b>	3 year 24 hours a day, 7 days a week, two hour callback Bronze Software Support for Windows NT Server and Layered Products
<b>FM-NMB73-60</b>	5 year 24 hours a day, 7 days a week, two hour callback Bronze Software Support for Windows NT Server and Layered Products

### Silver Software Support for Tier 3 (24 hours a day, 7 days a week, high priority product support)

Provides Silver Software Support for Tier 3 Windows NT server and layered products as identified on Supported Products List 1. Telephone and electronic communications provide: access to Digital Windows NT technical expertise 24 hours a day, 7 days a week; technical account management; higher queue priority; product support provided by specialists; one hour call back during business hours, two hours other times for time period indicated.

<b>FM-NMS73-12</b>	1 year 24 hours a day, 7 days a week, high priority product support Silver Software Support for Windows NT Server and layered products
<b>FM-NMS73-36</b>	3 year 24 hours a day, 7 days a week, high priority product support Silver Software Support for Windows NT Server and layered products
<b>FM-NMS73-60</b>	5 year 24 hours a day, 7 days a week, high priority product support Silver Software Support for Windows NT Server and layered products

### Extension for Silver Software Support for Tier 3 (24 hours a day, 7 days a week, high priority product support)

Extends Silver Software Support for Tier 3 Windows NT Hardware platforms. Support is extended for all supported products from the main system to each additional system. Telephone and electronic communications provide access to Digital Windows NT technical expertise 24 hours a day, 7 days a week for time period indicated. Main System Support is a prerequisite, see Silver Software Support for Tier 3 above.

<b>FM-NDS73-12</b>	Extends 1 year Silver Software Support (FM-NMS73-12) for 1 year
<b>FM-NDS73-36</b>	Extends 3 year Silver Software Support (FM-NMS73-36) for 3 year
<b>FM-NDS73-60</b>	Extends 3 year Silver Software Support (FM-NMS73-60) for 5 year

### Windows NT Incident Software Support

<b>FM-NTICB-12</b>	Provides 1 year of 10 incidents Bronze Software Support for Windows NT Server and layered products as identified on the Supported Products List 1. This allows up to 10 problems (incidents) to be submitted to Customer Support Center. An incident is considered "used" upon closure of specific support problem regardless of the number of telephone calls involved.
<b>FM-NTICS-12</b>	Provides 1 year of 75 incidents Silver Software Support for Windows NT Server and layered products as identified on the Supported Products List 1. This allows up to 75 problems (incidents) to be submitted to Customer Support Center. An incident is considered "used" upon closure of specific support problem regardless of the number of telephone calls involved.

### Installation Service

<b>FM-SMWNT-IN</b>	Provides up to two days of Windows NT start-up activities including installation and configuration of basic functionality of Windows NT Server software, configuration includes default network protocols, up to 10 existing networked clients, and 1 local printer; and a brief on-site orientation.
--------------------	---

---

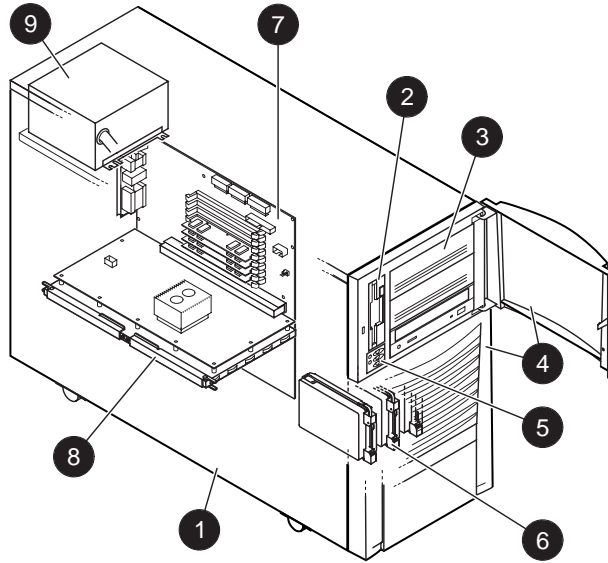


---

## Step 10a—Hardware and Software Supplemental Support Services (Europe only)

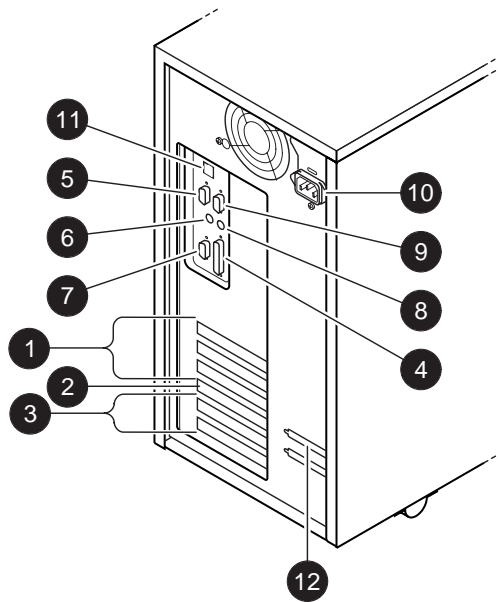
Europe does **not** have specific part numbers for Hardware and Software Supplemental Support Services. Prices are quoted based on world wide service reference pricing, contact MCS Sales in your country for information on Hardware and Software Supplemental Support Services.

DIGITAL Server 3300 System Diagram – Side view



- 1. Removable side cover of system enclosure
- 2. Floppy diskette drive
- 3. Removable media drives
- 4. Lower and upper doors
- 5. Control panel
- 6. Hard disk drives
- 7. System board
- 8. CPU daughter card
- 9. Power supply

DIGITAL Server 3300 System Diagram – Rear of Enclosure



- 1. Three 32-bit PCI slots
- 2. One 64-bit PCI/EISA slot
- 3. Two EISA slots
- 4. Parallel port
- 5. Serial port
- 6. Mouse port
- 7. VGA port
- 8. Keyboard port
- 9. Remote console modem port
- 10. Power inlet
- 11. Serial port/terminal port (MMJ with data leads only)
- 12. SCSI breakouts

## DIGITAL Server 3300 Pedestal System Specifications

<b>Shipping Dimension</b>		
Height	18.5 in. (47 cm)	
Width	23.6 in. (60 cm)	
Depth	30.5 in. (77.5 cm)	
Weight	73 LB (33 kg) typical 82 LB (37 kg) maximum	
<b>Installed Dimensions</b>		
Height	17.1 in. (45 cm)	
Width	8.9 in. (22.6 cm)	
Depth	25.9 in. (65.8 cm)	
Weight	54 LB (24.5 kg) typical 62 LB (28 kg) maximum	
<b>Clearances</b>		
Front	29.5 in. (75 cm)	29.5 in. (75 cm)
Rear	5.9 in. (15 cm)	29.5 in. (75 cm)
Left side	None	29.5 in. (75 cm)
Right side	None	2 in. (5 cm)
<b>Environmental</b>		
Temperature	Operating <sup>1</sup>	10–40° C (50–104° F)
	Non-operating	Not tested
	Storage (60 days)	-40–66° C (-40–151° F)
	Rate of change	11° C/hr (20° F/hr)
Relative humidity	Operating	20–80%
	Non-operating	20–80%
	Storage (60 days)	10–95%
	Rate of change	20%/hr
Maximum wet bulb temperature	Operating	28° C (82° F)
	Storage (60 days)	46° C (115° F)
Minimum dew point temperature	Operating	2° C (36° F)
	Storage (60 days)	Not tested
Maximum heat dissipation	380 Watt	
	1297 Btu/hr	
Air flow and quality	Intake location	Front
	Exhaust location	Rear
	Particle size	N/A
	Concentration	N/A
Altitude	Operating <sup>2</sup>	3097 m (10,000 ft)
	Non-operating	12190 m (40,000 ft)
Mechanical shock	Operating	7.5 G 10 ms
	Non-operating	20 G peak 30 ms
Vibration	Operating	10-500 Hz .1 G peak
Acoustics	Operating	LNPEc (BELs)
		6.0 MAX per ISO 7779
<b>Electrical—Power Supplies are universal 120/240 V AC</b>		
Nominal ac voltage	100-120 V AC	220-240 V AC
Operating Voltage range	90-128 V AC	180-256 V AC
Power source phase	Single	Single
Nominal frequency	50/60 Hz	50/60 Hz
Frequency range	49/51/59-61 Hz	49-51/59-61 Hz
RMS current at nominal voltage (steady state)		
Maximum Power	7.0 Amps	3.0 Amps
Consumption (Watts)	380 Watts	
Power cord	Type	IEC 320 C13
	Length	190 cm (75 in.)
	US plug	NEMA 5-15

1. Maximum operating temperature at Sea Level. Reduce by 1 C (1.8 F) for each 600 m (2000 ft) above Sea Level.
2. Higher altitudes are possible if maximum operating temperature is reduced (see Temperature, above); other restrictions may apply, such as maximum permissible altitude for hard drives.

DIGITAL Server 3300 Pedestal System Specifications *(continued)*

---

<b>Regulatory</b>	
Agency approvals	UL Listed to UL1950 (3 <sup>rd</sup> edition) CSA Certified to CAN/CSA-C22.2 No. 950-M95 TUV EN 60950 GS marked CB Certification pending FCC (Class B) Part 15, Subpart B (CFR 54,1995) EMC Directive 89/336/EEC EN 55022:1994 Class B EN 50082-1 1992 Light Industrial CE Class B VCCI Class II ITE AS/NZS 3548:1992 (Class B)
Reviewed to	AS 3260:1993 Australian/New Zealand Standard EN 60 950: 1995 European Norm IEC 950

---

DIGITAL Server 3300 Rackmount System Specifications

---

<b>Shipping Dimension</b>	
Same as Pedestal	
<b>Installed Dimensions</b>	
Height	22 cm (8.6 in.) fits 8.75 in. [5U] standard EIA 310D
Width	standard EIA 310D (RETMA)
Depth	63.8 cm (25.1 in.)
Weight	24.5 kg (54 LB) typical 28 kg (62LB) maximum
<b>Clearances</b>	
Front	See requirements of specific cabinet
Rear	Slides forward 68.6 cm (27 in.)
Sides	then accessible from the top
<b>Environmental</b>	
Temperature	
Operating	10–35° C (50–95° F)
Non-operating	Not tested
Storage (60 days)	-40–66° C (-40–151° F) 11 c/hr (20 F/HR)
Relative humidity	
Operating	20–80%
Non-operating	20–80%
Storage (60 days)	10–95%
Rate of change	20%/hr
Air flow and quality	
Intake location	Front
Exhaust location	Rear
<b>Electrical—Power Supplies are universal 120/240 V ac</b>	
Same as Pedestal	
<b>Regulatory</b>	
Same as Pedestal	

---

## Uninterruptable Power Supplies

### Prestige 1250EXT

UPS offerings include EIA232 port for local or network monitoring and plug-in battery extension provisions to increase run time up to two hours. For complete protection, UPS products should be used with data line surge protectors and UPS monitoring software.

### Solutions for Pedestal Systems

<b>4N-AEABF-AA</b>	Prestige 1250EXT, 1250 VA/900W, 1 phase, 50/60 Hz, 120V 6-foot cord with 5-15P plug, (4) 5-15R receptacle, 9 minutes battery at full UPS load.
<b>4N-AEABF-BF</b>	Prestige 1250EXT, 1250 VA/900W, 1 phase, 50/60 Hz, 200-240V in/out selectable. Uses system power cord for detachable IEC320 input connection at UPS. Includes (3) IEC320 10A output receptacles, (2) output jumpers with IEC320 connectors to system.
<b>4N-AEABF-BB</b>	Extension pack for 120V 60 Hz models, up to four packs at 30 minutes per pack supported
<b>4N-AEABF-BD</b>	Extension pack for 240V 50 Hz models, up to four packs at 30 minutes per pack supported
<b>4N-AEAE0-PA</b>	Hot-swap Power-Pass Module for 60 Hz UPS with (7) 5-15R Surge Protected outlets.
<b>4N-AEAE0-PB</b>	Hot-swap Power-Pass Module for 50 Hz UPS with (6) IEC320, 10A surge protected outlets.
<b>4N-AEWAR-G1</b>	Prestige 5 year on-site exchange warranty upgrade (US only).

### Rackmount UPS

UPS Model	Application	Type	Receptacle module
<b>4N-AEAAH-FA 60Hz</b>	Rackmount UPS, supports up to 5 systems	3kVA Custom RM <sup>1</sup>	Included <sup>2</sup>
<b>4N-AEAAH-FB 50Hz</b>	Rackmount UPS, supports up to 5 systems	3kVA Custom RM <sup>1</sup>	Included
<b>4N-AEAAJ-CL<sup>3</sup> 60Hz</b>	Out of Cabinet UPS	6kVA Prestige <sup>4</sup>	Included
<b>4N-AEAAJ-CU 50Hz</b>	Out of Cabinet UPS	6kVA Prestige <sup>4</sup>	Hardwired

1. Factory installation must be specified at time of order. Up to two UPS systems, one UPS for up to 5 fully configured systems. Recommended UPS distribution option combines multiple UPS input plugs into a single L6-30P plug-in connection to simplify future UPS add-on. Order 4NAEAAH-FF 60 Hz; 4N-AEAAH-FG 50 Hz).
2. Includes six IEC receptacle strips for connection to IEC plugs in cabinet.
3. 208-120/208V shown; order 4N-AEAAJ-CT for 240-120/240V models
4. Optional mobile stacker with seismic mounting provision for 6kVA Prestige (4N-AEACH-HD)

<b>4N-AEAAJ-CL</b>	Prestige 6 kVA (4 kW), single phase, 60Hz, 208-120/208V, 6 ft. cord with L6-30P and (2) L6-30R, (8) 5-15R receptacle. Modular hot-swap design with 7 minute battery at full UPS load, extendible plug and play batteries and receptacle provisions. Substitute -CT for 240V 240/120V operation.
<b>4N-AEAAJ-CU</b>	Prestige 6 kVA (4 kW) 50Hz package, single phase, 50Hz, 200-240V in/out selectable, hardwired input/output.
<b>4N-AEWAR-G3/G4</b>	Prestige 5 year on-site exchange warranty upgrade for 4N-AEAAH-CM/CT. G4 provides on-site remedial and start-up service.

UPS Monitoring and Unattended Shutdown Software (for above UPS systems only) is included in ServerWORKS Kits shipping with all DIGITAL Servers. Order Cable Kit separately.

<b>4N-ONLIN-NT</b>	Cable Kit for Windows NT and DIGITAL UNIX
<b>4N-ONLIS-FE</b>	Cable Kit for OpenVMS

Network Management or multi system shutdown (via SNMP or ServerWORKS Manager) for DIGITAL UNIX and OpenVMS requires Network Adapter option.

60 Hz Applications	50 Hz Application	Network Adapter Option
<b>4N-AEAE0-DB/DD</b>	<b>4N-AEAE0-DB/DD</b>	Prestige 3 kVA RM, DB=Twisted pair; DD=ThinWire
<b>4N-AEAE0-DA/DC</b>	<b>4N-AEAE0-DB/DD</b>	Prestige 6 kVA and PUPS Plus UPS, DA/DB=Twisted pair; DC=ThinWire

**Note:** Multiple system shutdown via OpenVMS requires multi-port hardware option (RN-JMIU4-AB). Ports can be daisy chained.