



DIGITAL Personal Workstations i+-Series and Enhanced a-Series and au-Series V1.5—28 May 1998

DIGITAL Systems and Options Catalog

There are currently two versions of the Personal Workstation Systems and Options Catalog. This configuration menu contains the current i+-Series, and enhanced a-Series and au-Series. The enhanced a-Series and au-Series models are active and orderable. They will begin to ship in mid-Q4.

See DIGITAL Personal Workstations i+-Series, a-Series and au-Series for users with immediate requirements.

DIGITAL Personal Workstations feature

i+-Series

(Windows NT)

- Short-tower enclosure
- Pentium II 300/333 MHz, with Intel 440LX AGPset
- 512 KB cache
- On-board 3Dlabs Permedia P2 graphics on MLB, 4MB
- 6 slots (3 PCI, 2 PCI/ISA, 1 AGP)
- 4 DIMM banks (4 slots)
- 300W power supply
- 1.44 MB floppy drive
- CD-ROM drive
- On-board Qlogic UW SCSI adapter
- On-board UltraDMA controller

- On-board 16-bit audio
- On-board 10/100 BaseT Ethernet twisted pair (ThinWire—optional)
- Windows NT 4.0

- Includes microphone and headset

a-Series

(Windows NT)

- Short-tower enclosure
- DIGITAL 21164 500/600 MHz
- 0 MB, 2 MB or 4 MB cache
- Optional graphics
- 5 slots (2 PCI, 3 PCI/ISA)
- 3 DIMM banks (6 slots)
- 300W power supply
- 1.44 MB floppy drive
- CD-ROM drive
- On-board Qlogic UW SCSI adapter
- On-board EIDE controller for CD-ROM only
- On-board 16-bit audio
- 10/100 BaseT Ethernet twisted pair (ThinWire—optional)
- Windows NT 4.0

- Includes microphone and headset

au-Series

(DIGITAL UNIX and OpenVMS)

- Short-tower enclosure
- DIGITAL 21164 433/500/600 MHz
- 0 MB, 2 MB or 4 MB cache
- Optional graphics
- 5 slots (2 PCI, 3 PCI/ISA)
- 3 DIMM banks (6 slots)
- 300W power supply
- 1.44 MB floppy drive
- CD-ROM drive
- On-board Qlogic UW SCSI adapter
- On-board EIDE controller for CD-ROM only
- On-board 16-bit audio
- 10/100 BaseT Ethernet twisted pair (ThinWire—optional)
- DIGITAL UNIX 4.0D or OVMS 7.1-1H2

- Includes microphone and headset

DIGITAL believes the information in this publication is accurate as of its publication date; such information is subject to change without notice. DIGITAL is not responsible for any inadvertent errors.

DIGITAL conducts its business in a manner that conserves the environment and protects the safety and health of its employees, customers, and the community.

DIGITAL, the DIGITAL logo are trademarks of Digital Equipment Corporation.

Printed in USA. Copyright 1998 Digital Equipment Corporation. All rights reserved.

Step 1—DIGITAL Personal Workstations

DIGITAL Personal Workstations are available through distribution partners. A list of eligible partners is available on DIGITAL Business Link or through a local DIGITAL Sales Office.

DIGITAL Personal Workstations may be ordered as:

- .. System Building Blocks are designed for “a la carte” ordering and distributor integration. System Building Blocks contain a system kernel, minimum of 64 MB memory (except for Intel i+ package), UltraSCSI integrated disk controller, 4.3 GB UltraSCSI hard disk drive (except for i+ Series UltraDMA system), and factory-installed Windows NT, DIGITAL UNIX or OpenVMS operating system.
- .. Packaged Systems are designed for ease of ordering and stocking. Packaged Systems contain a system kernel, a minimum of 64 MB memory (except for Intel i+ package), UltraSCSI integrated disk controller (except for Intel i+ package), 4.3 GB hard disk drive, graphics controller, and factory-installed Windows NT operating system.

DIGITAL Personal Workstations come standard with a three-year limited warranty. Year one features on-site service; years two and three are return to DIGITAL service, parts only. This warranty represents one of the most comprehensive in the industry.

System Building Blocks

- .. Selection of a System and Country Kit from Steps 1 and 2 are mandatory
- .. Additional options in Steps 3 through 12 are optional.

i+-Series

Order Number	CPU	Operating System	Memory / Cache	Graphics	Controller	Hard Disk Drive
SN-K3B5W-VA	266i+	Windows NT 4.0	32 MB / 512 KB	Permedia P2 ¹ 4MB SGRAM	UltraDMA	4.3 GB EIDE disk
SN-K3B6W-VC	300i+	Windows NT 4.0	64 MB / 512 KB	Permedia P2 ¹ 4MB SGRAM	UltraSCSI	4.3 GB UltraSCSI disk
SN-K3B6W-VH	300i+	Windows NT 4.0	128 MB / 512 KB	Permedia P2 ¹ 4MB SGRAM	UltraSCSI	4.3 GB UltraSCSI disk
SN-K3B7W-VC	333i+	Windows NT 4.0	64 MB / 512 KB	Permedia P2 ¹ 4MB SGRAM	UltraSCSI	4.3 GB UltraSCSI disk
SN-K3B7W-VE	333i+	Windows NT 4.0	128 MB / 512 KB	Permedia P2 ¹ 4MB SGRAM	UltraSCSI	4.3 GB UltraSCSI disk

1. Permedia P2 graphics are onboard and do not use a PCI slot.

a-Series

Order Number	CPU	Operating System	Memory / Cache	Graphics	Controller	Hard Disk Drive
SN-B3DBP-SB	500a	Windows NT 4.0	64 MB / 0 MB	—	UltraSCSI	4.3 GB UltraSCSI disk
SN-B3DBP-SD	500a	Windows NT 4.0	128 MB / 0 MB	—	UltraSCSI	4.3 GB UltraSCSI disk
SN-B3DBP-SH	500a	Windows NT 4.0	512 MB / 0 MB	—	UltraSCSI	4.3 GB UltraSCSI disk
SN-B3EBP-SB	600a	Windows NT 4.0	64 MB / 0 MB	—	UltraSCSI	4.3 GB UltraSCSI disk
SN-B3EBP-SD	600a	Windows NT 4.0	128 MB / 0 MB	—	UltraSCSI	4.3 GB UltraSCSI disk
SN-B3EBP-SH	600a	Windows NT 4.0	512 MB / 0 MB	—	UltraSCSI	4.3 GB UltraSCSI disk

Step 1—DIGITAL Personal Workstations (*continued*)

System Building Blocks (*continued*)

au-Series (DIGITAL UNIX)

Order Number	CPU	Operating System	Memory / Cache	Graphics	Controller	Hard Disk Drive
SN-B3ABU-SB	433au	DIGITAL UNIX	64 MB / 0 MB	—	UltraSCSI	4.3 GB UltraSCSI disk
SN-B3ABU-SD	433au	DIGITAL UNIX	128 MB / 0 MB	—	UltraSCSI	4.3 GB UltraSCSI disk
SN-B3ABU-SH	433au	DIGITAL UNIX	512 MB / 0 MB	—	UltraSCSI	4.3 GB UltraSCSI disk
SN-B3DBU-SB	500au	DIGITAL UNIX	64 MB / 0 MB	—	UltraSCSI	4.3 GB UltraSCSI disk
SN-B3DBU-SD	500au	DIGITAL UNIX	128 MB / 0 MB	—	UltraSCSI	4.3 GB UltraSCSI disk
SN-B3DBU-SH	500au	DIGITAL UNIX	512 MB / 0 MB	—	UltraSCSI	4.3 GB UltraSCSI disk
SN-B3EBU-SB	600au	DIGITAL UNIX	64 MB / 0 MB	—	UltraSCSI	4.3 GB UltraSCSI disk
SN-B3EBU-SD	600au	DIGITAL UNIX	128 MB / 0 MB	—	UltraSCSI	4.3 GB UltraSCSI disk
SN-B3EBU-SH	600au	DIGITAL UNIX	512 MB / 0 MB	—	UltraSCSI	4.3 GB UltraSCSI disk

au-Series (OpenVMS)

Order Number	CPU	Operating System	Memory / Cache	Graphics	Controller	Hard Disk Drive
SN-B3ABV-SB	433au	OpenVMS	64 MB / 0 MB	—	UltraSCSI	4.3 GB UltraSCSI disk
SN-B3ABV-SD	433au	OpenVMS	128 MB / 0 MB	—	UltraSCSI	4.3 GB UltraSCSI disk
SN-B3ABV-SH	433au	OpenVMS	512 MB / 0 MB	—	UltraSCSI	4.3 GB UltraSCSI disk
SN-B3DBV-SB	500au	OpenVMS	64 MB / 0 MB	—	UltraSCSI	4.3 GB UltraSCSI disk
SN-B3DBV-SD	500au	OpenVMS	128 MB / 0 MB	—	UltraSCSI	4.3 GB UltraSCSI disk
SN-B3DBV-SH	500au	OpenVMS	512 MB / 0 MB	—	UltraSCSI	4.3 GB UltraSCSI disk
SN-B3EBV-SB	600au	OpenVMS	64 MB / 0 MB	—	UltraSCSI	4.3 GB UltraSCSI disk
SN-B3EBV-SD	600au	OpenVMS	128 MB / 0 MB	—	UltraSCSI	4.3 GB UltraSCSI disk
SN-B3EBV-SH	600au	OpenVMS	512 MB / 0 MB	—	UltraSCSI	4.3 GB UltraSCSI disk

Step 1—DIGITAL Personal Workstations (continued)**Packaged Systems**

- .. Selection of a System from Step 1 is mandatory.
- .. Selection of a Country Kit from Step 2 is mandatory if country kit is not included in packaged system.
- .. Additional options in Steps 3 through 12 are optional.
- .. Bulk system orders must include Country Kits equal to the total number of systems ordered.

i+-Series

Order Number	CPU	Operating System	Memory / Cache	Graphics	Controller	Hard Disk Drive	Country Kit & Keyboard
SN-K3B5W-VA	266i+	Windows NT 4.0	32 MB / 512 KB	Permedia P2, ¹ 4MB SGRAM	UltraDMA	4.3 GB EIDE disk	Mandatory
SN-K3B6W-VC	300i+	Windows NT 4.0	64 MB / 512 KB	Permedia P2, ¹ 4MB SGRAM	UltraSCSI	4.3 GB UltraSCSI disk	Mandatory
SN-K3B6W-VD	300i+	Windows NT 4.0	64 MB / 512 KB	PowerStorm 4D30T, 4MB	UltraSCSI	4.3 GB UltraSCSI disk	Mandatory
SN-K3B7W-VC	333i+	Windows NT 4.0	64 MB / 512 KB	Permedia P2, ¹ 4MB SGRAM	UltraSCSI	4.3 GB UltraSCSI disk	Mandatory
SN-K3B7W-VD	333i+	Windows NT 4.0	64 MB / 512 KB	PowerStorm 4D30T, 4MB	UltraSCSI	4.3 GB UltraSCSI disk	Mandatory
SN-K3B6W-VI	300i+	Windows NT 4.0	64 MB / 512 KB	P2 Graphics on MLB with 4MB SGRAM	UltraSCSI	4.3 GB UltraSCSI disk	Included ²
SN-K3B6W-VJ	300i+	Windows NT 4.0	64 MB / 512 KB	PowerStorm 4D51T	UltraSCSI	4.3 GB UltraSCSI disk	Included ²
SN-K3B7W-VF	333i+	Windows NT 4.0	64 MB / 512 KB	P2 Graphics on MLB with 4MB SGRAM	UltraSCSI	4.3 GB UltraSCSI disk	Included ²
SN-K3B7W-VG	333i+	Windows NT 4.0	128 MB / 512 KB	P2 Graphics on MLB with 4MB SGRAM	UltraSCSI	4.3 GB UltraSCSI disk	Included ²
SN-K3B7W-VH	333i+	Windows NT 4.0	64 MB / 512 KB	PowerStorm 4D51T	UltraSCSI	4.3 GB UltraSCSI disk	Included ²
SN-K3B7W-VI	333i+	Windows NT 4.0	128 MB / 512 KB	PowerStorm 4D51T	UltraSCSI	4.3 GB UltraSCSI disk	Included ²

1. Permedia P2 graphics are onboard and do not use a PCI slot.

2. Includes U.S. country kit and U.S. keyboard.

Step 1—DIGITAL Personal Workstations (continued)

Packaged Systems (continued)

a-Series

Order Number	CPU	Operating System	Memory / Cache	Graphics	Controller	Hard Disk Drive	Country Kit & Keyboard
SN-B3DBP-AB	500a	Windows NT 4.0	64 MB / 0 MB	PowerStorm 4D10T	UltraSCSI	4.3 GB UltraSCSI disk	Mandatory
SN-B3DBP-FB	500a	Windows NT 4.0	64 MB / 0 MB	PowerStorm 4D51T	UltraSCSI	4.3 GB UltraSCSI disk	Mandatory
SN-B3EBP-FB	600a	Windows NT 4.0	64 MB / 0 MB	PowerStorm 4D51T	UltraSCSI	4.3 GB UltraSCSI disk	Mandatory
SN-B3DCP-CA	500a	Windows NT 4.0	64MB / 2 MB	PowerStorm 4D10T	UltraSCSI	4.3 GB UltraSCSI disk	Included ¹
SN-B3DCP-CB	500a	Windows NT 4.0	64MB / 2 MB	PowerStorm 4D51T	UltraSCSI	4.3 GB UltraSCSI disk	Included ¹
SN-B3DCP-DB	500a	Windows NT 4.0	128MB / 2 MB	PowerStorm 4D51T	UltraSCSI	4.3 GB UltraSCSI disk	Included ¹
SN-B3ECP-DB	600a	Windows NT 4.0	128MB / 2 MB	PowerStorm 4D51T	UltraSCSI	4.3 GB UltraSCSI disk	Included ¹

1. Includes U.S. country kit and U.S. keyboard.

Step 2—Country Kit

- .. DIGITAL UNIX/OpenVMS universal country kit includes two country-specific power cords, user documentation, and mouse. DIGITAL UNIX license included in package system.
- .. Windows NT country kit includes two country-specific power cords, user documentation, mouse, operating system license, media and documentation. Country kit ordered determines language of operating system factory installed.
- .. Country kit must be ordered for system to be operational. Only one country kit allowed per system.
- .. Bulk system orders must include Country Kits equal to the total number of systems ordered.
- .. Keyboards must be ordered separately.

Country	Intel Windows NT 4.0 Country Kits i+-Series	Alpha Windows NT 4.0 Country Kits a-Series	Windows NT 4.0 Language	DIGITAL UNIX 4.0D OpenVMS 7.1-1H2 Country Kits au-Series	DIGITAL UNIX 4.0D OpenVMS 7.1-1H2 H/W Users Doc au-Series
Americas					
United States	SN-PCB4N-AA	SN-PBB4P-AA	English	SN-PBB4U-AA	English
French Canada	SN-PCB4N-AC	SN-PBB4P-AC	French	SN-PBB4U-AC	French
LACR-Spanish	SN-PCB4N-CS	SN-PBB4P-AR	Spanish	SN-PBB4U-AR	Spanish
Europe					
Belgium	SN-PCB4N-AB	SN-PBB4P-AB	English	SN-PBB4U-AB	French
Denmark	SN-PCB4N-AD	SN-PBB4P-AD	Danish	SN-PBB4U-AD	English
United Kingdom	SN-PCB4N-AE	SN-PBB4P-AE	English	SN-PBB4U-AE	English
Finland	SN-PCB4N-AF	SN-PBB4P-AF	Finish	SN-PBB4U-AF	English
Germany	SN-PCB4N-AG	SN-PBB4P-AG	German	SN-PBB4U-AG	German
Netherlands	SN-PCB4N-AH	SN-PBB4P-AH	Dutch	SN-PBB4U-AH	English
Italy	SN-PCB4N-AI	SN-PBB4P-AI	Italian	SN-PBB4U-AI	Italian
Switzerland	SN-PCB4N-AK	SN-PBB4P-AK	French	SN-PBB4U-AK	French
Switzerland/ Germany	SN-PCB4N-AL	SN-PBB4P-AL	German	SN-PBB4U-AL	English
Sweden	SN-PCB4N-AM	SN-PBB4P-AM	Swedish	SN-PBB4U-AM	English
Norway	SN-PCB4N-AN	SN-PBB4P-AN	Norwegian	SN-PBB4U-AN	English

Step 2—Country Kit (continued)

Country	Intel Windows NT 4.0 Country Kits i+-Series	Alpha Windows NT 4.0 Country Kits a-Series	Windows NT 4.0 Language	DIGITAL UNIX 4.0D OpenVMS 7.1-1H2 Country Kits au-Series	DIGITAL UNIX 4.0D OpenVMS 7.1-1H2 H/W Users Doc au-Series
Europe (continued)					
France	SN-PCB4N-AP	SN-PBB4P-AP	French	SN-PBB4U-AP	French
Spain	SN-PCB4N-AS	SN-PBB4P-AS	Spanish	SN-PBB4U-AS	Spanish
Israel	SN-PCB4N-AT	SN-PBB4P-AT	English	SN-PBB4U-AT	English
Portugal	SN-PCB4N-AV	SN-PBB4P-AV	English	SN-PBB4U-AV	English
Greece	SN-PCB4N-BH	SN-PBB4P-BH	English	SN-PBB4U-BH	English
Poland	SN-PCB4N-BP	SN-PBB4P-BP	Polish	SN-PBB4U-BP	English
Hungary	SN-PCB4N-BQ	SN-PBB4P-BQ	Hungarian	SN-PBB4U-BQ	English
Arabic	SN-PCB4N-BR	SN-PBB4P-BR	English	SN-PBB4U-BR	English
Russia	SN-PCB4N-BT	SN-PBB4P-BT	Russian	SN-PBB4U-BT	English
Turkey	SN-PCB4N-BU	SN-PBB4P-BU	English	SN-PBB4U-BU	English
Serbia	—	SN-PBB4P-BY	English	SN-PBB4U-BY	English
Iceland	SN-PCB4N-CQ	SN-PBB4P-CQ	English	SN-PBB4U-CQ	English
Czech Republic	SN-PCB4N-CZ	SN-PBB4P-CZ	Czech	SN-PBB4U-CZ	English
European	SN-PCB4N-EC	SN-PBB4P-EC	English	SN-PBB4U-EC	English
Asia Pacific					
Japan	SN-PCB4N-AJ	SN-PBB4P-AJ	Japanese	SN-PBB4U-AJ	Japanese
Australia/ NZ	SN-PCB4N-AZ	—	English	—	—
Taiwan	SN-PCB4N-BI	SN-PBB4P-BI	Trad. Chinese	SN-PBB4U-BI	English
South Korea	SN-PCB4N-BK	SN-PBB4P-BK	Korean	SN-PBB4U-BK	English
Far East	SN-PCB4N-CA	SN-PBB4P-CA	English	SN-PBB4U-CA	English
Philippines	SN-PCB4N-CE	SN-PBB4P-CE	English	SN-PBB4U-CE	English
Vietnam	SN-PCB4N-CG	SN-PBB4P-CG	English	SN-PBB4U-CG	English
Thailand	SN-PCB4N-CP	SN-PBB4P-CP	English	SN-PBB4U-CP	English
China	SN-PCB4N-CV	SN-PBB4P-CV	Simp.Chinese	SN-PBB4U-CV	English

Step 3—Keyboards (Optional)**Americas**

DIGITAL VMS style keyboards used on Alpha, OpenVMS and DIGITAL UNIX products.

Windows NT/ DIGITAL UNIX Keyboard	Country	DIGITAL VMS Style Keyboard	Country
SN-LK97W-A2	United States	LK46W-A2	United States/United Kingdom
SN-LK97W-AC	French Canada	LK46W-AC	French Canada
SN-LK97W-AR	LACR-Spanish	—	—

Step 3—Keyboards (Optional) (continued)

Europe

Windows NT/ DIGITAL UNIX Keyboard	Country	DIGITAL VMS Style Keyboard	Country
SN-LK97W-AB	Belgium	LK46W-AB	Belgium
SN-LK97W-AD	Denmark	LK46W-AD	Denmark
SN-LK97W-AE	United Kingdom	—	—
SN-LK97W-AF	Finland	LK46W-AF	Finland
SN-LK97W-AG	Germany	LK46W-AG	Germany
SN-LK97W-AH	Netherlands	LK46W-AH	Netherlands
SN-LK97W-AI	Italy	LK46W-AI	Italy
SN-LK97W-AK	Switzerland	LK46W-AK	Switzerland
SN-LK97W-AM	Sweden	LK46W-AM	Sweden
SN-LK97W-AN	Norway	LK46W-AN	Norway
SN-LK97W-AP	France	LK46W-AP	France
SN-LK97W-AS	Spain	LK46W-AS	Spain
SN-LK97W-AT	Israel	LK46W-AT	Israel
SN-LK97W-AV	Portugal	LK46W-AV	Portugal
SN-LK97W-BH	Greece	LK46W-BH	Greece
SN-LK97W-BP	Poland	LK46W-BP	Poland
SN-LK97W-BQ	Hungary	LK46W-BQ	Hungary
SN-LK97W-BR	Arabic	—	—
SN-LK97W-BT	Cyrillic/Russian	LK46W-BT	Russia
SN-LK97W-BU	Turkey	LK46W-BU	Turkey
SN-LK97W-BW	Turkey	LK46W-BW	Turkey
SN-LK97W-BY	Serbia	LK46W-BY	Serbia
SN-LK97W-CQ	Iceland	—	—
SN-LK97W-BV	Czech Republic	LK46W-BV	Czech Republic
SN-LK97W-CZ	Slovak	LK46W-CZ	Slovak

Asia Pacific

Windows NT/ DIGITAL UNIX Keyboard	Country	DIGITAL VMS Style Keyboard	Country
SN-LK97W-AJ	Japan	—	—
SN-LK97W-BI	Taiwan	—	—
SN-LK97W-BK	South Korea	—	—
SN-LK97W-CB	Thailand	—	—

Note: Keyboards are not included in country kits, they must be ordered separately if required.

Step 4—Processor Upgrades (Optional)

SN-D3B5W-5U	266 MHz Pentium II processor, must match speed of first processor, for PWS 266i+, with 440LX
SN-D3B6W-5U	300 MHz Pentium II processor, must match speed of first processor, for PWS 300i+, with 440LX
SN-D3B7W-5U	333 MHz Pentium II processor, must match speed of first processor, for PWS 333i+, with 440LX

Step 5—Memory (Optional)

i+-Series Memory

i+-Series, with 440LX chipsets supports four memory options (4 DIMM banks with 1 slot each)

SN-MSP01-JB	32 MB ECC SDRAM DIMMs (1 x 32 MB)
SN-MSP01-JC	64 MB ECC SDRAM DIMMs (1 x 64 MB)
SN-MSP01-JD	128 MB ECC SDRAM DIMMs (1 x 128 MB)

a- and au-Series Memory

a- and au- series support three memory options (3 DIMM banks with 2 slots each)

SN-MSP01-HB	32 MB ECC SDRAM DIMMs (2 x 16 MB)
SN-MSP01-HC	64 MB ECC SDRAM DIMMs (2 x 32 MB)
SN-MSP01-HD	128 MB ECC SDRAM DIMMs (2 x 64 MB)
SN-MSP01-HE	256 MB ECC SDRAM DIMMs (2 x 128 MB)
SN-MSP01-HF¹	512 MB ECC SDRAM DIMMs (2 x 256 MB)

1. OpenVMS systems support maximum of 1 GB total memory.

a- and au-Series Cache Memory

Supported in MLB cache slot.

SN-MSC01-AB	2 MB Level 3 SRAM cache
SN-MSC01-AC	4 MB Level 3 SRAM cache

Step 6—Storage (Optional)

- .. Systems include one 4.3 GB hard disk drive
- .. Systems support three additional hard disk drives: one 3.5-inch x 1.0-inch hard disk drive in dedicated hard disk drive bay and two 3.5-inch x 1.0-inch hard disk drives supported in 5.25-inch removable media bays.

SCSI disk drives

Maximum of four UltraSCSI internal drives are supported per system.

SN-PBXRW-NB	4.3 GB UltraSCSI wide disk drive 7200 RPM, 1.0-inch or 1.6-inch bay (OpenVMS only)
SN-PBXRW-NC	4.3 GB UltraSCSI wide disk drive 7200 RPM, 1.0-inch or 1.6-inch bay (Digital UNIX/Windows NT only)
SN-PBXRW-RA¹	4.3 GB UltraSCSI wide disk drive 10,000 RPM, 1.6-inch bay (includes fan kit) (Windows NT only)
SN-PBXRW-SA¹	9.1 GB UltraSCSI wide disk drive 7200 RPM, 1.6-inch bay
SN-PBXRW-TA¹	18.2 GB UltraSCSI wide disk drive 7200 RPM, 1.6-inch bay

1. Maximum two per system, supported in 5.25-inch removable media bays only.

Ultra DMA EIDE Drives

Ultra DMA EIDE disk drives are supported on i+-Series only, maximum of two per system.

SN-PCXRA-AT	4.3 GB Ultra DMA EIDE disk drive, 5400 RPM, 1.0-inch or 1.6-inch bay
SN-PCXRA-AU	6.4 GB Ultra DMA EIDE disk drive, 5400 RPM, 1.0-inch or 1.6-inch bay

Step 6—Storage (Optional) (continued)

Tape Drives

Maximum of two tape drives supported per system. Tape drive operation in narrow mode and requires a wide to narrow SCSI adapter (SN-PBXKP-BA) if connected to Ultra Wide SCSI controller included with systems.

Note: 5.25-inch removable media bays support 3.5-inch x 1.6-inch hard disk drives.

SN-TLZ10-LK	12/24 GB 4mm DAT internal SCSI tape drive, 1.6-inch front accessible bay
SN-TLZ09-LK	4/8 GB 4mm DAT internal SCSI tape drive, 1.6-inch front accessible bay
SN-PBXKP-BA	Wide to narrow SCSI adapter

Floppy Drives

SN-PBXR-BA	100 MB Floppy SCSI Zip drive (Windows NT only)
-------------------	--

Controllers/Adapters

- .. Systems include an on-board UltraSCSI adapter.
- .. i+-Series systems supports one RAID controller.
- .. a-Series and au-Series systems support two additional UltraSCSI adapters for a system maximum of three (including the onboard adapter).
- .. An UltraSCSI adapter and a RAID controller are not supported in the same system enclosure.

Maximum controllers/adapters supported per system		i+ Series	a Series	au Series
SN-PCTAZ-DE¹	Adaptec 2940 UltraSCSI adapter, requires 1 PCI 32-bit slot	1	—	—
SN-KZPBA-CA¹	Q-Logic 1040B UltraSCSI adapter, requires 1 PCI 32-bit slot	—	2	2
SN-KZPAC-AA²	1-port PCI-based RAID controller, 4MB EDRAM cache, requires 1 PCI 32-bit slot	1	—	—
SN-KZPAC-CA²	3-port PCI-based RAID controller, 4MB EDRAM cache, requires 1 PCI 32-bit slot, third port requires one additional PCI bulkhead slot, and one BN31K-0E bulkhead assembly kit.	1	—	—
SN-KZPAC-CB²	3-port PCI-based RAID controller, 8MB EDRAM cache, requires 1 PCI 32-bit slot, third port requires one additional PCI bulkhead slot, and one BN31K-0E bulkhead assembly kit.	1	—	—

1. Order UltraSCSI cable (BN38C-xx) with 68-pin HD to 68-pin VHDCI connectors. Required for UltraSCSI StorageWorks Pedestal enclosure attached to SN-PCTAZ-DE or SN-KZPBA-CA UltraSCSI adapters.
2. Order UltraSCSI cable (BN37A-xx) with two 68-pin VHDCI connectors. Required for UltraSCSI StorageWorks Pedestal enclosure attached to KZPAC RAID controller.

Step 7—Graphics Options (Optional)

Graphics Options require 1 PCI slot—Maximum supported per system		i+ Series	a Series	au Series
SN-PBXGB-AA	PowerStorm 3D30 graphics with 2 MB VRAM	—	—	3/3 ¹
SN-PBXGK-AA	PowerStorm 4D10T graphics with 4 MB SGRAM	3 ²	2	—
SN-PBXGK-AB	PowerStorm 4D10T graphics with 8 MB SGRAM	3 ²	2	—
SN-PBXGB-CA	PowerStorm 4D20 graphics with 16 MB VRAM	—	—	3/3 ¹
SN-PBXGD-AA	PowerStorm 4D30T 3D graphics with 4 MB texture memory	1	1	—
SN-PBXGD-AB	PowerStorm 4D30T 3D graphics with 16 MB texture memory	1	1	—
SN-PBXGI-AD	PowerStorm 4D51T 3D graphics with 16 MB texture memory	2	1	2 ³
SN-PBXGI-MB	PowerStorm 4D51T GFX 3D graphics with 16 MB texture memory	1	—	—

Graphics Options require 2 PCI slots—Maximum supported per system		i+ Series	a Series	au Series
SN-PBXGI-AB	PowerStorm 4D50T 3D graphics with 16 MB VRAM, maximum 32 MB texture memory	—	1	1 ³
SN-PBXGI-AC ⁴	PowerStorm 4D60T 3D graphics with 32 MB VRAM, plus 16MB texture memory, maximum 64 MB texture memory	—	1	1 ³

1. au-Series running DIGITAL UNIX and OpenVMS support a maximum of three PowerStorm 3D30s/4D20s running 2D/3D or a maximum of four PowerStorm 3D30s running 2D only.
2. Requires driver V2.0. Multihead support is 2D only. Included Permedia P2 with two additional PowerStorm 4D10T graphics options supports three-head graphics systems on Intel.
3. Not supported on OpenVMS.
4. Upgrading to 32 MB of texture memory requires replacing the existing 16 MB of texture memory.

Step 8—Graphics Memory Options (Optional)

		i+ Series	a Series	au Series
SN-PBXGD-GB ¹	16 MB Texture memory for PowerStorm 4D30T supported in 4D30T memory slot	X	X	—
SN-PBXGI-GA	4 MB Texture memory for PowerStorm series supported in 4D40T, 4D50T, 4D60T memory slot	—	X	X
SN-PBXGK-GA	Additional 4 MB Texture memory for on-board P2 Graphics Chipset – to install in SO DIMM Slot	X	—	—
SN-PBXGI-GB	16 MB Texture memory for PowerStorm series supported in 4D40T, 4D50T, 4D60T memory slot	—	X	X ²
SN-PBXGI-GC	32 MB Texture memory for PowerStorm series supported in 4D40T, 4D50T, 4D60T memory slot	—	X	X ²
SN-PBXGI-GD	64 MB Texture memory for PowerStorm 4D60T	—	X	X ²

1. Adding texture memory to PowerStorm 4D30T requires removal of 4 MB texture memory installed in memory slot.
2. Not supported on OpenVMS.

Step 9—Color Monitors (Optional)

		i+ Series	a Series	au Series
FR-PCXBV-EZ	15"(13.9" viewable) Corporate Northern Hemisphere 120/240V	X	—	—
SN-PCXBV-EZ	15"(13.9" viewable) Corporate Northern Hemisphere 120/240V	X	X	X
FR-PCXAV-KZ	15" TFT Flat Panel Display (15" VIS) Analog Input, Worldwide Variant	X	X	X
SN-PCXAV-KZ	15" TFT Flat Panel Display (15" VIS) Analog Input, Worldwide Variant	X	X	X
FR-PCXBV-FZ	17"(16.0" viewable) Corporate Northern Hemisphere 120/240V	X	X	X
SN-PCXBV-FZ	17"(16.0" viewable) Corporate Northern Hemisphere 120/240V	X	X	X
FR-PCXAV-VZ	17"(16.0" viewable) Professional Northern Hemisphere 120/240V	X	X	X
SN-PCXAV-VZ	17"(16.0" viewable) Professional Northern Hemisphere 120/240V	X	X	X
FR-PCXAV-CZ	19"(18.0" viewable) Professional Northern Hemisphere 120V	X	X	X
SN-PCXAV-CZ	19"(18.0" viewable) Professional Northern Hemisphere 120V	X	X	X
FR-PCXAV-TZ	19"(18.0" viewable) Professional Northern Hemisphere 120/240V	X	X	X
SN-PCXAV-TZ	19"(18.0" viewable) Professional Northern Hemisphere 120/240V	X	X	X
FR-PCXAV-WZ	21"(19.6" viewable) Professional Northern Hemisphere 120/240V	X	X	X
SN-PCXAV-WZ	21"(19.6" viewable) Professional Northern Hemisphere 120/240V	X	X	X
SN-PCXAV-AZ	24"(22.5" viewable) Professional Northern Hemisphere 120/240V	—	X	X
SN-PCXBV-EY	15"(13.9" viewable) Corporate Southern Hemisphere 120/240V	X	X	X
SN-PCXBV-FY	17"(16.0" viewable) Corporate Southern Hemisphere 120/240V	X	X	X
FR-PCXAV-VY	17"(16.0" viewable) Professional Southern Hemisphere 120/240V	X	X	X
SN-PCXAV-VY	17"(16.0" viewable) Professional Southern Hemisphere 120/240V	X	X	X
SN-PCXAV-WY	21"(19.6" viewable) Professional Southern Hemisphere 120/240V	X	X	X

Step 10—Network Options (Optional)

PCI-based Network options require 1 PCI slot Maximum supported per system		i+ Series	a Series	au Series
SN-DE500-BA	Fast Ethernet PCI 10/100mbs (twisted pair)	1	2	2
SN-DE500-FA	PC Ethernet (Fiber) DCI MMJ	1	2	—
SN-PBXNP-AC	PCI Token Ring adapter	1	2	2
SN-DEFPA-AB	PCI – FDDI adapter SAS fiber	1	2	2
SN-DEFPA-DB	PCI – FDDI adapter DAS Fiber	1	2	2
SN-DEFPA-MB	PCI – FDDI adapter DAS UTP	1	2	2
SN-DEFPA-UB	PCI – FDDI adapter SAS UTP	1	2	2
PBXDA-AA	PCI Asynchronous 4-port adapter	1	2	2
PBXDA-AB	PCI Asynchronous 8-port adapter	1	2	2
SN-PBXIP-AA	PCI ISDN BRI S/T	1	2	2
SN-PBXIP-AB	PCI ISDN BRI U	1	2	2
SN-DGLPA-FA	PCI ATM adapter	—	—	2 ¹
SN-DGLPA-UA	PCI ATM adapter	—	—	2 ¹
PBXDP-AA	2 Port PC-Synchronous	—	2	—
PBXDP-AB	4 Port PC-Synchronous	—	2	—
PBXDP-AC	8 Port PC-Synchronous	—	2	—

1. Not supported on OpenVMS.

Step 10—Network Options (Optional) (continued)

ISA-based Network options require 1 ISA slot		Maximum supported per system	i+ Series	a Series	au Series
SN-PCXHF-AA	ISA Fax/modem 28.8 Kbps (US only)		2	1	—
PBXDF-BA	ISA Fax/modem 28.8 Kbps		—	1	1
FR-PCXFA-AA	FAX/Modem 56 Kbps		1	—	—
System Enclosure Options			i+ Series	a Series	au Series
SN-PCXAN-DB	10BaseT/10Base 2 Ethernet Bulkhead Connector		—	1	1
SN-PCXAN-DC	10BaseT/10Base2 Ethernet bulkhead Connector, AUI		1	—	—
SN-PCXAN-DD	10BaseT/10Base2 Ethernet bulkhead Connector, BNC		1	—	—

Step 11—Input/Multimedia Devices (Optional)

PBXWA-AA	2-button spaceball
PBXWB-AA	3-button trackball
PBXWT-AA	12x12 Digitizing tablet, 16-button cordless cursor 120V US wall mount power supply
PBXWT-AB	12x12 Digitizing tablet, 16-button cordless cursor 220V European wall mount power supply
PBXWT-AC	12x12 Digitizing tablet, 16-button cordless cursor 240V UK wall mount power supply
PBXWT-AD	12x12 Digitizing tablet, 16-button cordless cursor 100V Japan wall mount power supply
PBXWT-BA	2-button cordless click pen for all variants of PBXWT-Ax
FR-PCDJA-DE	Video Conferencing - NTSC/PAL Video Conferencing Card w/ camera - PCI Bus
FR-PCDJA-BN	Video Conferencing - NTSC/PAL Video Conferencing Card w/ camera - PCI Bus

Step 12—Hardware Supplemental Services (Optional)

FM-W****-**	Hardware supplemental price depends on total price of the order, type of extension (e.g. Onsite Next Business Day, Onsite same business day, 7 x 24, and number of months). Refer to "Multivendor Customer Services Quick Quote Card" for part numbers (In Europe, refer to on-line Quoting System). First * after W could be A through P, depending on total list price of the hardware. Second through fourth * represent different levels (e.g. XHW for Onsite next business day service, 4 hour Onsite same business day service, and 7 x 24 service). Last two ** represent duration in months (e.g. 12, 36, 60)
FM-WSDTP-IN	Hardware Installation

Step 12a—Software Supplemental Services—Windows NT

FM-HD5**-**	5 x 9 Helpdesk Support
FM-HD7**-**	7 x 24 Helpdesk Support First two ** after 5 or 7 represent the number of calls, and could be 05, 15, or 25. Last two ** represent duration in months, and could be 12, 36, or 60

Step 12b—Software Supplemental Services—UNIX

FM-3BUNS-12	12 Month FULL Software Supplemental Support Services
FM-3BUNS-36	36 Month FULL Software Supplemental Support Services
FM-3BUNS-60	60 Month FULL Software Supplemental Support Services
FM-3BUNN-12	12 Month NODE Software Supplemental Support Services
FM-3BUNN-36	36 Month NODE Software Supplemental Support Services
FM-3BUNN-60	60 Month NODE Software Supplemental Support Services

Step 13—Media and Documentation (optional)

a-Series and au-Series User Documentation

EK-ALMIG-SI	DIGITAL Personal Workstation Set Up and Installation Guide—English
EK-ALMIF-SI	DIGITAL Personal Workstation Set Up and Installation Guide—French
EK-ALMID-SI	DIGITAL Personal Workstation Set Up and Installation Guide—German
EK-ALMIJ-SI	DIGITAL Personal Workstation Set Up and Installation Guide—Japanese
EK-ALMIS-SI	DIGITAL Personal Workstation Set Up and Installation Guide—Spanish
EK-ALMII-SI	DIGITAL Personal Workstation Set Up and Installation Guide—Italian

DIGITAL UNIX User Documentation

QA-MT4AA-GZ	DIGITAL UNIX 4.0D Full Documentation kit
QA-MT4AB-GZ¹	DIGITAL UNIX 4.0D End-User Documentation kit

1. Included in Full Documentation kit

DIGITAL UNIX Software Media and Optional Licenses

QA-MT4AA-H8	DIGITAL UNIX 4.0D Media & Documentation kit
QL-MT7AE-AA	DIGITAL UNIX 4.0D Unlimited User License
QL-MT6AE-AA	DIGITAL UNIX 4.0D Server Extensions License
QL-MT5AE-AA	DIGITAL UNIX 4.0D C Developer's Extensions License
QL-MT7AM-3B	DIGITAL UNIX 4.0D 1-User Concurrent License
QL-MT7AM-3C	DIGITAL UNIX 4.0D 2-User Concurrent License
QL-MT7AM-3D	DIGITAL UNIX 4.0D 4-User Concurrent License
QL-MT7AM-3E	DIGITAL UNIX 4.0D 8-User Concurrent License
QL-MT7AM-3F	DIGITAL UNIX 4.0D 16-User Concurrent License
QL-MT7AM-3G	DIGITAL UNIX 4.0D 32-User Concurrent License
QL-MT7AM-3H	DIGITAL UNIX 4.0D 64-User Concurrent License

Note: All DIGITAL UNIX systems include 2-user Base license.

OpenVMS Media and Documentation

- .. OpenVMS Packaged and Base systems require operating system media and documentation for first system on site.
- .. Software Processor Code = E

QA-MT1AD-H8	OpenVMS V7.1-1H1 Media on CD-ROM
QA-MT1AA-H8	OpenVMS V7.1 media and on-line doc on CD-ROM
QA-001AA-GZ	OpenVMS hardcopy documentation

Step 13—Media and Documentation (optional) (continued)**OpenVMS Optional Licenses**

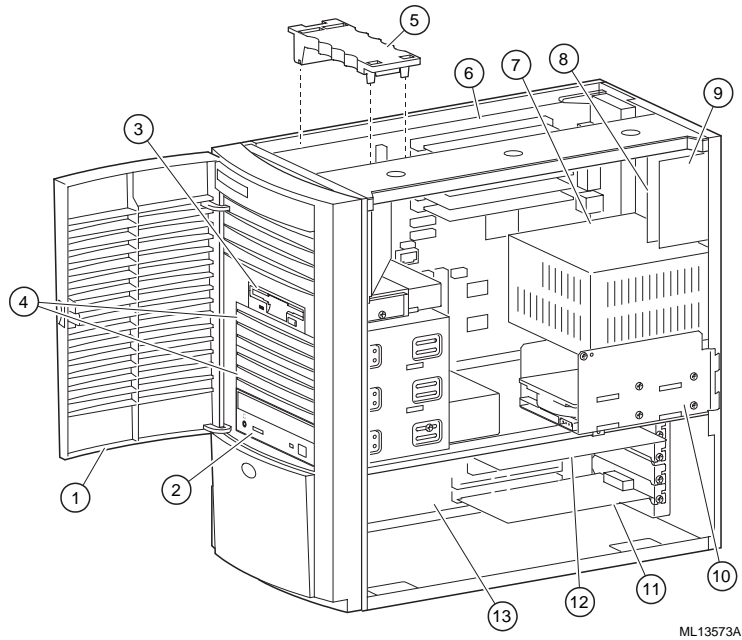
- .. OpenVMS Concurrent Use Licenses are not specific to a single system and can be moved between systems at user discretion. OpenVMS Concurrent Use Licenses can also be shared in a mixed OpenVMS VAX and OpenVMS Alpha Cluster. The OpenVMS traditional unlimited use license is system specific and can only be used on one single system at a time. It can not be shared between systems or in an OpenVMS VAX or OpenVMS Alpha Cluster.

QL-MT3AA-3B	OpenVMS Concurrent Use 1-user license
QL-MT3AA-3C	OpenVMS Concurrent Use 2-user license
QL-MT3AA-3D	OpenVMS Concurrent Use 4-user license
QL-MT3AA-3E	OpenVMS Concurrent Use 8-user license
QL-MT3AA-3F	OpenVMS Concurrent Use 16-user license
QL-MT3AA-3G	OpenVMS Concurrent Use 32-user license
QL-MT3AA-3H	OpenVMS Concurrent Use 64-user license
QL-MT3AA-3J	OpenVMS Concurrent Use 128-user license
QL-MT3AA-3K	OpenVMS Concurrent Use 256-user license
QL-MT2AE-AA	OpenVMS traditional unlimited user license

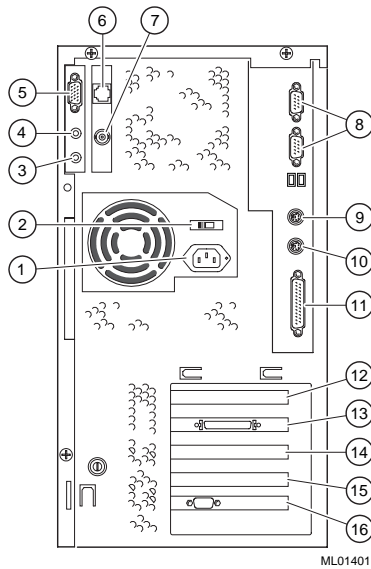
Specifications

Height	40.64 cm (16-inches)
Width	21.59 cm (8.5-inches)
Depth	44.45 cm (17.5-inches)

DIGITAL Personal Workstations System Diagram (a-Series, au-Series)



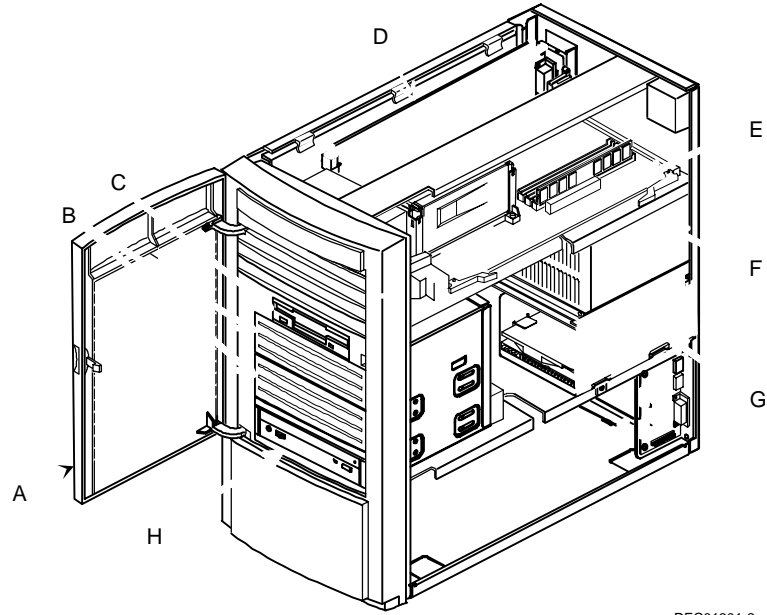
- | | |
|---|---|
| <ol style="list-style-type: none"> 1. Front door assembly 2. 5.25" CD-ROM drive bay 3. 3.5" floppy diskette drive bay 4. Two 5.25" removable media bays 5. Main Logic Board retainer bracket 6. Main Logic Board 7. Power supply | <ol style="list-style-type: none"> 8. Ethernet connector card (MAU or MII) 9. Audio connector card 10. Two 3.5" x 1" hard disk drive bays 11. 16-bit (or 32-bit) PCI option installed on riser card 12. ISA card installed in PCI/ISA combination slot 13. Riser card |
|---|---|



- | | |
|---|--|
| <ol style="list-style-type: none"> 1. AC power connector 2. Voltage selector switch 3. Audio line In 4. Speaker Out 5. MIDI adapter or joystick connector 6. Ethernet Twisted pair 7. ThinWire Ethernet (optional) 8. Communication ports 1 and 2 | <ol style="list-style-type: none"> 9. Mouse port 10. Keyboard port 11. Parallel port 12. Slot 1: 32-bit PCI (half size slot) 13. Slot 2: 32-bit PCI/ISA (half size slot) 14. Slot 3: 32-bit PCI/ISA (full size slot) 15. Slot 4: 64-bit PCI/ISA (full size slot) 16. Slot 5: 64-bit PCI (full size slot) |
|---|--|

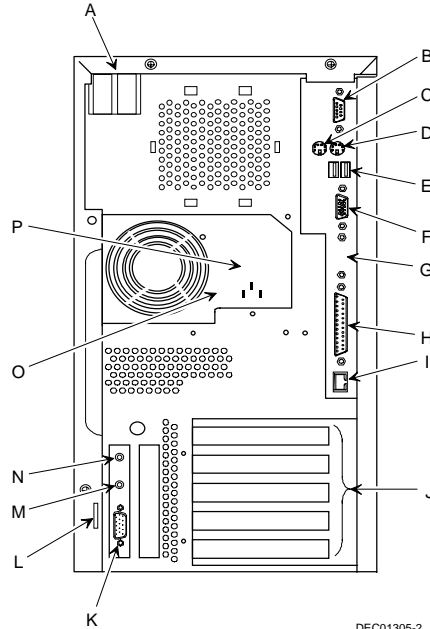
DIGITAL Personal Workstations

DIGITAL Personal Workstations System Diagram (i+-Series)



DEC01301-2

- | | |
|--|--|
| A. Door assembly | F. Power supply |
| B. Two Front access 5¼-inch removable media bays | G. Internal 3½-inch drive bays (supports IDE, and wide SCSI hard disk) |
| C. 3½-inch diskette drive | H. CD-ROM drive |
| D. Main Logic Board | |
| E. Pentium II processor module | |



DEC01305-2

- | | |
|--------------------------------|------------------------------------|
| A. Optional AGP port connector | I. 10 Base-T port connector (RJ45) |
| B. Video port connector | J. Expansion board slots |
| C. Keyboard connector | K. MIDI/joystick port connector |
| D. Mouse connector | L. Chassis lockdown |
| E. USB ports | M. Speaker out |
| F. Serial port connector 1 | N. Line in (microphone) |
| G. Serial port connector 2 | O. ac line connector |
| H. Parallel port connector | P. Voltage select switch |