



**DIGITAL Personal Workstations New i-Series,
and Enhanced a-Series & au-Series
V2.8—09 November 1998
DIGITAL Systems and Options Catalog**

This configuration menu contains the new i-Series (350MHz & 400MHz) and enhanced a-Series and au-Series.

DIGITAL Personal Workstations feature

**i-Series (350i, 400i)
(Windows NT)**

- Short-tower enclosure
- Pentium II 350/400 MHz with Intel 440BX AGPset
- 512 KB L2 cache
- On-board 3Dlabs Permedia P2v graphics on MLB, 4MB
- 6 slots (3 PCI, 2 PCI/ISA, 1 AGP)
- 4 DIMM banks (4 slots)
- 300W power supply
- 1.44 MB floppy drive
- 32x CD-ROM drive
- On-board Qlogic UW SCSI adapter
- On-board UltraDMA controller
- On-board 16-bit audio
- 10/100 BaseT Ethernet twisted pair (ThinWire—optional)
- Windows NT 4.0
- Includes microphone and headset.

**a-Series (500a, 600a)
(Windows NT)**

- Short-tower enclosure
- DIGITAL 21164 500/600 MHz
- 0 MB, 2 MB or 4 MB cache
- Optional graphics
- 5 slots (2 PCI, 3 PCI/ISA)
- 3 DIMM banks (6 slots)
- 300W power supply
- 1.44 MB floppy drive
- 32x CD-ROM drive
- On-board Qlogic UW SCSI adapter
- On-board EIDE controller for CD-ROM only
- On-board 16-bit audio
- 10/100 BaseT Ethernet twisted pair (ThinWire—optional)
- Windows NT 4.0
- Includes microphone and headset

**au-Series (433au, 500au, 600au)
(DIGITAL UNIX
and OpenVMS)**

- Short-tower enclosure
- DIGITAL 21164 433/500/600 MHz
- 0 MB, 2 MB or 4 MB cache
- Optional graphics
- 5 slots (2 PCI, 3 PCI/ISA)
- 3 DIMM banks (6 slots)
- 300W power supply
- 1.44 MB floppy drive
- 32x CD-ROM drive
- On-board Qlogic UW SCSI adapter
- On-board EIDE controller for CD-ROM only
- On-board 16-bit audio
- 10/100 BaseT Ethernet twisted pair (ThinWire—optional)
- DIGITAL UNIX 4.0D¹ or OpenVMS 7.1-1H2²
- Includes microphone and headset

1. Digital Personal Workstations au-Series Digital UNIX 4.0D includes the Digital UNIX Performance Personal Workstations License Package (QP-03GAE-AD) which contains: Digital UNIX Base System Performance Personal Workstation License, MultiMedia Services Run Time Traditional License, and Open3D Traditional License.
2. Digital Personal Workstations au-Series OpenVMS 7.1-1H2 includes the OpenVMS System Value License Package (QP-03FAE-AA) which contains: OpenVMS Alpha BASE License, OpenVMS 1-User License, NAS Client 150 Traditional License, Open3D Traditional License, and MultiMedia Services Run Time Traditional License.

DIGITAL believes the information in this publication is accurate as of its publication date; such information is subject to change without notice. DIGITAL is not responsible for any inadvertent errors.

DIGITAL conducts its business in a manner that conserves the environment and protects the safety and health of its employees, customers, and the community.

DIGITAL, the DIGITAL logo are trademarks of Digital Equipment Corporation.

Printed in USA. Copyright 1998 Digital Equipment Corporation. All rights reserved.

Step 1—DIGITAL Personal Workstations

DIGITAL Personal Workstations are available through distribution partners. A list of eligible partners is available on DIGITAL Business Link or through a local DIGITAL Sales Office.

DIGITAL Personal Workstations may be ordered as:

- System Building Blocks are designed for “a la carte” ordering and distributor integration. System Building Blocks contain a system kernel, minimum of 64 MB memory, UltraSCSI integrated disk controller, 4.3 GB UltraSCSI hard disk drive, and factory-installed Windows NT, DIGITAL UNIX or OpenVMS operating system.
- Packaged Systems are designed for ease of ordering and stocking. Packaged Systems contain a system kernel, a minimum of 64 MB memory, UltraSCSI integrated disk controller, 4.3 GB hard disk drive, graphics controller, and factory-installed Windows NT operating system.

DIGITAL Personal Workstations come standard with a three-year limited warranty. Year one features on-site service; years two and three are return to DIGITAL service, parts only. This warranty represents one of the most comprehensive in the industry.

System Building Blocks

- Selection of a System and Country Kit from Steps 1 and 2 are mandatory
- Additional options in Steps 3 through 12 are optional.

i-Series (350 MHz and 400 MHz)

Memory is available as unbuffered or registered. It cannot be mixed in a system.

Order Number	CPU	Operating System	Memory / Cache	Graphics	Controller	Hard Disk Drive
SN-D4B8W-VC	350i	Windows NT 4.0	64 MB ² / 512 KB	Permedia P2v ¹ 4MB SGRAM	UltraSCSI	4.3 GB UltraSCSI
SN-D4B8W-VI	350i	Windows NT 4.0	128 MB ² / 512 KB	Permedia P2v ¹ 4MB SGRAM	UltraSCSI	4.3 GB UltraSCSI
SN-D4B8W-VB	350i	Windows NT 4.0	256 MB ³ / 512 KB	Permedia P2v ¹ 4MB SGRAM	UltraSCSI	4.3 GB UltraSCSI
SN-D4B9W-VC	400i	Windows NT 4.0	64 MB ² / 512 KB	Permedia P2v ¹ 4MB SGRAM	UltraSCSI	4.3 GB UltraSCSI
SN-D4B9W-VI	400i	Windows NT 4.0	128 MB ² / 512 KB	Permedia P2v ¹ 4MB SGRAM	UltraSCSI	4.3 GB UltraSCSI
SN-D4B9W-VB	400i	Windows NT 4.0	256 MB ³ / 512 KB	Permedia P2v ¹ 4MB SGRAM	UltraSCSI	4.3 GB UltraSCSI

1. Permedia P2v graphics are onboard and do not use a PCI slot.
2. Unbuffered PC100 ECC SDRAM.
3. Registered PC100 ECC SDRAM.

System Building Blocks (continued)

a-Series—Windows NT (500 MHz and 600 MHz)

Order Number	CPU	Operating System	Memory / Cache	Graphics	Controller	Hard Disk Drive
SN-B3DBP-SB	500a	Windows NT 4.0	64 MB / 0 MB	—	UltraSCSI	4.3 GB UltraSCSI
SN-B3DBP-SD	500a	Windows NT 4.0	128 MB / 0 MB	—	UltraSCSI	4.3 GB UltraSCSI
SN-B3DBP-SH	500a	Windows NT 4.0	512 MB / 0 MB	—	UltraSCSI	4.3 GB UltraSCSI
SN-B3EBP-SB	600a	Windows NT 4.0	64 MB / 0 MB	—	UltraSCSI	4.3 GB UltraSCSI
SN-B3EBP-SD	600a	Windows NT 4.0	128 MB / 0 MB	—	UltraSCSI	4.3 GB UltraSCSI
SN-B3EBP-SH	600a	Windows NT 4.0	512 MB / 0 MB	—	UltraSCSI	4.3 GB UltraSCSI

Step 1—DIGITAL Personal Workstations (continued)**au-Series—DIGITAL UNIX (433 MHz, 500 MHz and 600 MHz)**

Order Number	CPU	Operating System	Memory / Cache	Graphics	Controller	Hard Disk Drive
SN-B3ABU-SB	433au	DIGITAL UNIX	64 MB / 0 MB	—	UltraSCSI	4.3 GB UltraSCSI
SN-B3ABU-SD	433au	DIGITAL UNIX	128 MB / 0 MB	—	UltraSCSI	4.3 GB UltraSCSI
SN-B3ABU-SH	433au	DIGITAL UNIX	512 MB / 0 MB	—	UltraSCSI	4.3 GB UltraSCSI
SN-B3DBU-SB	500au	DIGITAL UNIX	64 MB / 0 MB	—	UltraSCSI	4.3 GB UltraSCSI
SN-B3DBU-SD	500au	DIGITAL UNIX	128 MB / 0 MB	—	UltraSCSI	4.3 GB UltraSCSI
SN-B3DBU-SH	500au	DIGITAL UNIX	512 MB / 0 MB	—	UltraSCSI	4.3 GB UltraSCSI
SN-B3EBU-SB	600au	DIGITAL UNIX	64 MB / 0 MB	—	UltraSCSI	4.3 GB UltraSCSI
SN-B3EBU-SD	600au	DIGITAL UNIX	128 MB / 0 MB	—	UltraSCSI	4.3 GB UltraSCSI
SN-B3EBU-SH	600au	DIGITAL UNIX	512 MB / 0 MB	—	UltraSCSI	4.3 GB UltraSCSI

au-Series—OpenVMS (433 MHz, 500 MHz and 600 MHz)

Order Number	CPU	Operating System	Memory / Cache	Graphics	Controller	Hard Disk Drive
SN-B3ABV-SB	433au	OpenVMS	64 MB / 0 MB	—	UltraSCSI	4.3 GB UltraSCSI
SN-B3ABV-SD	433au	OpenVMS	128 MB / 0 MB	—	UltraSCSI	4.3 GB UltraSCSI
SN-B3ABV-SH	433au	OpenVMS	512 MB / 0 MB	—	UltraSCSI	4.3 GB UltraSCSI
SN-B3DBV-SB	500au	OpenVMS	64 MB / 0 MB	—	UltraSCSI	4.3 GB UltraSCSI
SN-B3DBV-SD	500au	OpenVMS	128 MB / 0 MB	—	UltraSCSI	4.3 GB UltraSCSI
SN-B3DBV-SH	500au	OpenVMS	512 MB / 0 MB	—	UltraSCSI	4.3 GB UltraSCSI
SN-B3EBV-SB	600au	OpenVMS	64 MB / 0 MB	—	UltraSCSI	4.3 GB UltraSCSI
SN-B3EBV-SD	600au	OpenVMS	128 MB / 0 MB	—	UltraSCSI	4.3 GB UltraSCSI
SN-B3EBV-SH	600au	OpenVMS	512 MB / 0 MB	—	UltraSCSI	4.3 GB UltraSCSI

Packaged Systems

- Selection of a System from Step 1 is mandatory.
- Selection of a Country Kit from Step 2 is mandatory if country kit is not included in packaged system.
- Additional options in Steps 3 through 12 are optional.
- Bulk system orders must include Country Kits equal to the total number of systems ordered.

i-Series (350 MHz and 400 MHz)

Order Number	CPU	Operating System	Memory / Cache	Graphics	Controller	Hard Disk Drive	Country Kit & Keyboard
SN-D4B8W-VD	350i	Windows NT 4.0	64 MB ³ / 512 KB	PowerStorm 4D51T	UltraSCSI	4.3 GB UltraSCSI	Mandatory
SN-D4B9W-VD	400i	Windows NT 4.0	64 MB ³ / 512 KB	PowerStorm 4D51T	UltraSCSI	4.3 GB UltraSCSI	Mandatory
SN-D4B8W-VE	350i	Windows NT 4.0	64 MB ³ / 512 KB	Permedia P2v, ¹ 4MB SGRAM	UltraSCSI	4.3 GB UltraSCSI	Included ²
SN-D4B8W-VF	350i	Windows NT 4.0	64 MB ³ / 512 KB	PowerStorm 4D51T	UltraSCSI	4.3 GB UltraSCSI	Included ²

1. Permedia P2v graphics are onboard and do not use a PCI slot.
2. Includes U.S. country kit and U.S. keyboard.
3. Unbuffered PC100 ECC SDRAM.

Step 1—DIGITAL Personal Workstations (continued)**i-Series (350 MHz and 400 MHz) (continued)**

Order Number	CPU	Operating System	Memory / Cache	Graphics	Controller	Hard Disk Drive	Country Kit & Keyboard
SN-D4B9W-VE	400i	Windows NT 4.0	64 MB ³ / 512 KB	Permedia P2v, ¹ 4MB SGRAM	UltraSCSI	4.3 GB UltraSCSI	Included ²
SN-D4B9W-VF	400i	Windows NT 4.0	128 MB ³ / 512 KB	Permedia P2v, ¹ 4MB SGRAM	UltraSCSI	4.3 GB UltraSCSI	Included ²
SN-D4B9W-VG	400i	Windows NT 4.0	64 MB ³ / 512 KB	PowerStorm 4D51T	UltraSCSI	4.3 GB UltraSCSI	Included ²
SN-D4B9W-VH	400i	Windows NT 4.0	128 MB ³ / 512 KB	PowerStorm 4D51T	UltraSCSI	4.3 GB UltraSCSI	Included ²

1. Permedia P2v graphics are onboard and do not use a PCI slot.

2. Includes U.S. country kit and U.S. keyboard.

3. Unbuffered PC100 ECC SDRAM.

a-Series (500 MHz and 600 MHz)

Order Number	CPU	Operating System	Memory / Cache	Graphics	Controller	Hard Disk Drive	Country Kit & Keyboard
SN-B3DBP-AB	500a	Windows NT 4.0	64 MB / 0 MB	PowerStorm 4D10T	UltraSCSI	4.3 GB UltraSCSI	Mandatory
SN-B3DBP-FB	500a	Windows NT 4.0	64 MB / 0 MB	PowerStorm 4D51T	UltraSCSI	4.3 GB UltraSCSI	Mandatory
SN-B3EBP-FB	600a	Windows NT 4.0	64 MB / 0 MB	PowerStorm 4D51T	UltraSCSI	4.3 GB UltraSCSI	Mandatory
SN-B3DCP-CA	500a	Windows NT 4.0	64MB / 2 MB	PowerStorm 4D10T	UltraSCSI	4.3 GB UltraSCSI	Included ¹
SN-B3DCP-CB	500a	Windows NT 4.0	64MB / 2 MB	PowerStorm 4D51T	UltraSCSI	4.3 GB UltraSCSI	Included ¹
SN-B3DCP-DB	500a	Windows NT 4.0	128MB / 2 MB	PowerStorm 4D51T	UltraSCSI	4.3 GB UltraSCSI	Included ¹
SN-B3ECP-DB	600a	Windows NT 4.0	128MB / 2 MB	PowerStorm 4D51T	UltraSCSI	4.3 GB UltraSCSI	Included ¹

1. Includes U.S. country kit and U.S. keyboard.

Step 2—Country Kit

- DIGITAL UNIX/OpenVMS universal country kits includes two country-specific power cords, user documentation, and mouse. DIGITAL UNIX license included in package system.
- Windows NT country kit includes two country-specific power cords, user documentation, mouse, operating system license, media and documentation. Country kit ordered determines language of operating system factory installed.
- Country kit must be ordered (if not included in package system) for system to be operational. Only one country kit allowed per system.
- Bulk system orders must include Country Kits equal to the total number of systems ordered.
- Keyboards must be ordered separately.

Country	Intel Windows NT 4.0 Country Kits i-Series	Alpha Windows NT 4.0 Country Kits a-Series	Windows NT 4.0 Language	DIGITAL UNIX V4.0D OpenVMS V7.1-1H2 Country Kits au-Series	
Americas					
United States	SN-PCD4N-AA	SN-PBB4P-AA	English	SN-PBB4U-AA	English
French Canada	SN-PCD4N-AC	SN-PBB4P-AC	French	SN-PBB4U-AC	French
LACR-Spanish	SN-PCD4N-CS	SN-PBB4P-AR	Spanish	SN-PBB4U-AR	Spanish
Europe					
Belgium	SN-PCD4N-AB	SN-PBB4P-AB	English	SN-PBB4U-AB	French
Denmark	SN-PCD4N-AD	SN-PBB4P-AD	Danish	SN-PBB4U-AD	English
United Kingdom	SN-PCD4N-AE	SN-PBB4P-AE	English	SN-PBB4U-AE	English
Finland	SN-PCD4N-AF	SN-PBB4P-AF	Finish	SN-PBB4U-AF	English
Germany	SN-PCD4N-AG	SN-PBB4P-AG	German	SN-PBB4U-AG	German
Netherlands	SN-PCD4N-AH	SN-PBB4P-AH	Dutch	SN-PBB4U-AH	English
Italy	SN-PCD4N-AI	SN-PBB4P-AI	Italian	SN-PBB4U-AI	Italian
Switzerland	SN-PCD4N-AK	SN-PBB4P-AK	French	SN-PBB4U-AK	French
Switzerland/ Germany	SN-PCD4N-AL	SN-PBB4P-AL	German	SN-PBB4U-AL	English
Sweden	SN-PCD4N-AM	SN-PBB4P-AM	Swedish	SN-PBB4U-AM	English
Norway	SN-PCD4N-AN	SN-PBB4P-AN	Norwegian	SN-PBB4U-AN	English
France	SN-PCD4N-AP	SN-PBB4P-AP	French	SN-PBB4U-AP	French
Spain	SN-PCD4N-AS	SN-PBB4P-AS	Spanish	SN-PBB4U-AS	Spanish
Israel	SN-PCD4N-AT	SN-PBB4P-AT	English	SN-PBB4U-AT	English
Portugal	SN-PCD4N-AV	SN-PBB4P-AV	English	SN-PBB4U-AV	English
Greece	SN-PCD4N-BH	SN-PBB4P-BH	English	SN-PBB4U-BH	English
Poland	SN-PCD4N-BP	SN-PBB4P-BP	Polish	SN-PBB4U-BP	English
Hungary	SN-PCD4N-BQ	SN-PBB4P-BQ	Hungarian	SN-PBB4U-BQ	English
Arabic	SN-PCD4N-BR	SN-PBB4P-BR	English	SN-PBB4U-BR	English
Russia	SN-PCD4N-BT	SN-PBB4P-BT	Russian	SN-PBB4U-BT	English
Turkey	SN-PCD4N-BU	SN-PBB4P-BU	English	SN-PBB4U-BU	English
Serbia	—	SN-PBB4P-BY	English	SN-PBB4U-BY	English
Iceland	SN-PCD4N-CQ	SN-PBB4P-CQ	English	SN-PBB4U-CQ	English
Czech Republic	SN-PCD4N-CZ	SN-PBB4P-CZ	Czech	SN-PBB4U-CZ	English
European	SN-PCD4N-EC	SN-PBB4P-EC	English	SN-PBB4U-EC	English
Asia Pacific					
Japan	SN-PCD4N-AJ	SN-PBB4P-AJ	Japanese	SN-PBB4U-AJ	Japanese
Australia/ NZ	SN-PCD4N-AZ	—	English	—	—
Taiwan	SN-PCD4N-BI	SN-PBB4P-BI	Trad. Chinese	SN-PBB4U-BI	English
South Korea	SN-PCD4N-BK	SN-PBB4P-BK	Korean	SN-PBB4U-BK	English
Far East	SN-PCD4N-CA	SN-PBB4P-CA	English	SN-PBB4U-CA	English
Philippines	SN-PCD4N-CE	SN-PBB4P-CE	English	SN-PBB4U-CE	English
Vietnam	SN-PCD4N-CG	SN-PBB4P-CG	English	SN-PBB4U-CG	English
Thailand	SN-PCD4N-CP	SN-PBB4P-CP	English	SN-PBB4U-CP	English
China	SN-PCD4N-CV	SN-PBB4P-CV	Simple Chinese	SN-PBB4U-CV	English

Step 3—Keyboards (Optional)

DIGITAL VMS style keyboards used on Alpha, OpenVMS and DIGITAL UNIX products.

Windows NT/DIGITAL UNIX Keyboard	Country	DIGITAL VMS Style Keyboard	Country
SN-LK97W-A2	United States	LK46W-A2	United States/United Kingdom
SN-LK97W-AC	French Canada	LK46W-AC	French Canada
SN-LK97W-AR	LACR-Spanish	—	—
Europe			
SN-LK97W-AB	Belgium	LK46W-AB	Belgium
SN-LK97W-AD	Denmark	LK46W-AD	Denmark
SN-LK97W-AE	United Kingdom	—	—
SN-LK97W-AF	Finland	LK46W-AF	Finland
SN-LK97W-AG	Germany	LK46W-AG	Germany
SN-LK97W-AH	Netherlands	LK46W-AH	Netherlands
SN-LK97W-AI	Italy	LK46W-AI	Italy
SN-LK97W-AK	Switzerland	LK46W-AK	Switzerland
SN-LK97W-AL	Sweden	LK46W-AM	Sweden
SN-LK97W-AN	Norway	LK46W-AN	Norway
SN-LK97W-AP	France	LK46W-AP	France
SN-LK97W-AS	Spain	LK46W-AS	Spain
SN-LK97W-AT	Israel	LK46W-AT	Israel
SN-LK97W-AV	Portugal	LK46W-AV	Portugal
SN-LK97W-BH	Greece	LK46W-BH	Greece
SN-LK97W-BP	Poland	LK46W-BP	Poland
SN-LK97W-BQ	Hungary	LK46W-BQ	Hungary
SN-LK97W-BR	Arabic	—	—
SN-LK97W-BT	Cyrillic/Russian	LK46W-BT	Russia
SN-LK97W-BU	Turkey	LK46W-BU	Turkey
SN-LK97W-BW	Turkey	LK46W-BW	Turkey
SN-LK97W-BY	Serbia	LK46W-BY	Serbia
SN-LK97W-CQ	Iceland	—	—
SN-LK97W-BV	Czech Republic	LK46W-BV	Czech Republic
SN-LK97W-CZ	Slovak	LK46W-CZ	Slovak
Asia Pacific			
SN-LK97W-AJ	Japan	—	—
SN-LK97W-BI	Taiwan	—	—
SN-LK97W-BK	South Korea	—	—
SN-LK97W-CB	Thailand	—	—

Note: Keyboards are not included in country kits, they must be ordered separately if required.

Step 4—Processor Upgrades (Optional)

SN-D3B5W-5U	266 MHz Pentium II processor, must match speed of first processor, for PWS 266i+, with 440LX
SN-D3B6W-5U	300 MHz Pentium II processor, must match speed of first processor, for PWS 300i+, with 440LX
SN-D3B7W-5U	333 MHz Pentium II processor, must match speed of first processor, for PWS 333i+, with 440LX
SN-D4B8U-5A	350 MHz Pentium II kit to upgrade to dual 350 system, must match speed of first processor, for DPWS 350i with 440BX AGPset.
SN-D4B9U-5A	400 MHz Pentium II kit to upgrade from 350 MHz processor or to upgrade to dual 400 system, must match speed of first processor, for DPWS i-Series with 440BX AGPset.

Step 5—Memory (Optional)

i-Series Memory

- i-Series, with 440BX chipsets supports four memory options (4 DIMM banks with 1 slot each).
- Do not mix unbuffered and registered memory in a system.
- Systems can support to 1GB memory, using registered DIMMs only.

SN-PCMA1-AB¹	32 MB PC100 (100MHz) ECC SDRAM DIMMs (1 x 32 MB) unbuffered
SN-PCMA1-BB	64 MB PC100 (100MHz) ECC SDRAM DIMMs (1 x 64 MB) unbuffered
SN-PCMA1-CB	128 MB PC100 (100MHz) ECC SDRAM DIMMs (1 x 128 MB) unbuffered
SN-PCMA1-BC	64 MB PC100 (100MHz) ECC SDRAM DIMMs (1 x 64 MB) registered
SN-PCMA1-CC	128 MB PC100 (100MHz) ECC SDRAM DIMMs (1 x 128 MB) registered
SN-PCMA1-DC	256 MB PC100 (100MHz) ECC SDRAM DIMMs (1 x 256 MB -"stacked") registered

1. Supported as add-on only.

a-Series and au-Series Memory

a- and au- series support three memory options (3 DIMM banks with 2 slots each)

SN-MSP01-HB	32 MB ECC SDRAM DIMMs (2 x 16 MB)
SN-MSP01-HC	64 MB ECC SDRAM DIMMs (2 x 32 MB)
SN-MSP01-HD	128 MB ECC SDRAM DIMMs (2 x 64 MB)
SN-MSP01-HE	256 MB ECC SDRAM DIMMs (2 x 128 MB)
SN-MSP01-HF¹	512 MB ECC SDRAM DIMMs (2 x 256 MB)

1. OpenVMS systems support maximum of 1 GB total memory.

a-Series and au-Series Cache Memory

Supported in MLB cache slot.

SN-MSC01-AB	2 MB Level 3 SRAM cache
SN-MSC01-AC	4 MB Level 3 SRAM cache

Step 6—Storage (Optional)

- Systems include one 4.3 GB hard disk drive
- Systems support three additional hard disk drives: one 3.5-inch x 1.0-inch hard disk drive in dedicated hard disk drive bay and two 3.5-inch x 1.0-inch hard disk drives supported in 5.25-inch removable media bays.

SCSI disk drives

Maximum of four UltraSCSI internal drives are supported per system.

SN-PBXRW-ND	4.3 GB Ultra SCSI wide disk drive 7200 RPM, 1.0-inch or 1.6-inch bay (Digital UNIX & Open VMS au-series and Windows NT i & a-series)
SN-PBXRW-RA¹	4.3 GB UltraSCSI wide disk drive 10,000 RPM, 1.6-inch bay (includes fan kit) (Windows NT only)
SN-PBXRW-SB	9.1 GB Ultra SCSI wide disk drive 7200 RPM, 1.0 or 1.6-inch bay
SN-PBXRW-TA¹	18.2 GB UltraSCSI wide disk drive 7200 RPM, 1.6-inch bay

1. Maximum two per system, supported in 5.25-inch removable media bays only.

Ultra DMA EIDE Drives

Ultra DMA EIDE disk drives are supported on i-Series only, maximum of two per system.

SN-PCXRA-AT	4.3 GB Ultra DMA EIDE disk drive, 5400 RPM, 1.0-inch or 1.6-inch bay
SN-PCXRA-AU	6.4 GB Ultra DMA EIDE disk drive, 5400 RPM, 1.0-inch or 1.6-inch bay

Step 6—Storage (Optional) (continued)**Tape Drives**

Maximum of two tape drives supported per system.

Note: 5.25-inch removable media bays support 3.5-inch x 1.6-inch hard disk drives.

SN-TLZ10-LK 12/24 GB 4mm DAT internal SCSI tape drive, 1.6-inch front accessible bay

SN-TLZ09-LK 4/8 GB 4mm DAT internal SCSI tape drive, 1.6-inch front accessible bay

Table Top DAT Tape Drives

- Table Top tapes require SN-KZPBA-CA adapter.
- Table Top tapes are not supported on same adapter as internal storage.

TLZ09-DC 4/8 GB 4mm DAT external table top SCSI tape drive, 1.6-inch front accessible bay.
Cables/Adapters Required: Wide to Narrow terminator adapter included.
Requires BC09D-03/06 (3 ft/6 ft) 50 pin HD to 50 pin LD cable.

DS-TLZ10-DB 12/24 GB 4mm DAT external table top SCSI tape drive, 1.6-inch front accessible bay.
Cables/Adapters Required: Requires BN36A-0B Wide to Narrow terminator adapter.
Requires BC09D-03/06 (3/6 foot) 50 pin HD to 50 pin LD cable.

Floppy Drives

SN-PBXR-BB 100 MB Floppy SCSI Zip drive (Windows NT only)

Controllers/Adapters

- Systems include an on-board UltraSCSI adapter.
- i-Series systems support one RAID controller
- au-Series systems running DIGITAL UNIX V4.0D support on RAID controller (SN-KZPAC-xx).
- a-Series and au-Series systems support two additional UltraSCSI adapters for a system maximum of three (including the onboard adapter).

Maximum controllers/adapters supported per system		i Series	a Series	au Series
SN-PCTAZ-DE ¹	Adaptec 2940 UltraSCSI adapter, requires 1 PCI 32-bit slot	1	—	—
SN-KZPBA-CA ¹	Q-Logic 1040B UltraSCSI adapter, requires 1 PCI 32-bit slot	—	2	2
SN-KZPAC-AA ²	1-port PCI-based RAID controller, 4MB EDRAM cache, requires 1 PCI 32-bit slot	1	1	1 ³
SN-KZPAC-CA ²	3-port PCI-based RAID controller, 4MB EDRAM cache, requires 1 PCI 32-bit slot, third port uses one additional PCI bulkhead slot, requires BN31K-0E bulkhead assembly kit and SCSI cable.	1	1	1 ³
SN-KZPAC-CB ²	3-port PCI-based RAID controller, 8MB EDRAM cache, requires 1 PCI 32-bit slot, third port uses one additional PCI bulkhead slot, requires BN31K-0E bulkhead assembly kit and SCSI cable.	1	1	1 ³

1. Order UltraSCSI cable (BN38C-xx) with 68-pin HD to 68-pin VHDCI connectors. Required for UltraSCSI StorageWorks Pedestal enclosure attached to SN-PCTAZ-DE or SN-KZPBA-CA UltraSCSI adapters.
2. Order UltraSCSI cable (BN37A-xx) with two 68-pin VHDCI connectors. Required for UltraSCSI StorageWorks Pedestal enclosure attached to KZPAC RAID controller.
3. Support on au-Series systems running DIGITAL UNIX V4.0D **only**.

Step 7—Graphics Options (Optional)

Graphics Options require 1 PCI slot—Maximum supported per system		i Series	a Series	au Series
SN-PB2GA-KB	Matrox Millennium II graphics with 4 MB WRAM, maximum 8 MB WRAM	—	—	—
SN-PBXGB-AA	PowerStorm 3D30 graphics with 2 MB VRAM	—	—	3/3 ¹
SN-PBXGK-AA	PowerStorm 4D10T graphics with 4 MB SGRAM	4 ⁴	3	—
SN-PBXGK-AB	PowerStorm 4D10T graphics with 8 MB SGRAM	4 ⁴	3	—
SN-PBXGK-BC	ELSA GLoria Synergy PCI Video Adapter with 8MB memory	4 ⁵	3	3
SN-PBXGB-CA	PowerStorm 4D20 graphics with 16 MB VRAM	—	—	3/3 ¹
SN-PBXGD-AA	PowerStorm 4D30T 3D graphics with 4 MB texture memory	—	1	—
SN-PBXGD-AB	PowerStorm 4D30T 3D graphics with 16 MB texture memory	—	1	—
SN-PBXGI-AD	PowerStorm 4D51T 3D graphics with 16 MB texture memory	1	1	2 ²
Graphics Options require 2 PCI slots—Maximum supported per system		i Series	a Series	au Series
SN-PBXGI-AB	PowerStorm 4D50T 3D graphics with 16 MB VRAM, maximum 32 MB texture memory	—	1	1 ²
SN-PBXGI-AC ⁴	PowerStorm 4D60T 3D graphics with 32 MB VRAM, plus 16MB texture memory, maximum 64 MB texture memory	—	1	1 ²
SN-PBXGI-MB	PowerStorm 4D51T GFX 3D graphics with 16 MB texture memory	—	—	—

1. au-Series running DIGITAL UNIX and OpenVMS support a maximum of three PowerStorm 3D30s/4D20s running 2D/3D or a maximum of four PowerStorm 3D30s running 2D only.
2. Not supported on OpenVMS.
3. Upgrading to 32 MB of texture memory requires replacing the existing 16 MB of texture memory.
4. For multi-head support on the i series, 4D10T driver (version 2.0B or better) must be used. 2-displays use the integrated P2v and 1-4D10T card (disable VGA); 3-displays use integrated P2v and 2-4D10T cards (1 in primary slot, other in secondary slot, disable VGA.); 4-displays use 0-integrated P2v and 4-4D10T cards (enable all VGA, 1 in primary slot, remainder in secondary slots.)
5. For multi-head configuration on the i-series, only one primary slot may be used. All ELSA cards must have VGA enabled, unless the onboard graphics is being used. If the onboard P2 graphics is used as part of a multi-head configuration, the only supported configuration is dual-head. The ELSA option card must have VGA disabled. For a four-head configuration, use four ELSA cards, enabled all VGAs, with only one card in a primary slot.

Step 8—Graphics Memory Options (Optional)

		i Series	a Series	au Series
SN-PB2GA-KE	4 MB WRAM Frame Buffer Upgrade: Millennium II supported in Millennium II memory slot	—	—	—
SN-PBXGD-GB ¹	16 MB Texture memory for PowerStorm 4D30T supported in 4D30T memory slot	—	X	—
SN-PBXGI-GA	4 MB Texture memory for PowerStorm series supported in 4D40T, 4D50T, 4D60T memory slot	—	X	X ²
SN-PBXGK-GA	Additional 4 MB Texture memory for on-board P2/P2v Graphics	X	—	—
SN-PBXGI-GB	16 MB Texture memory for PowerStorm series supported in 4D40T, 4D50T, 4D60T memory slot	—	X	X ²
SN-PBXGI-GC	32 MB Texture memory for PowerStorm series supported in 4D40T, 4D50T, 4D60T memory slot	—	X	X ²
SN-PBXGI-GD	64 MB Texture memory for PowerStorm 4D60T	—	X	X ²

1. Adding texture memory to PowerStorm 4D30T requires removal of 4 MB texture memory installed in memory slot.
2. Not supported on OpenVMS.

Step 9—Color Monitors (Optional)

Professional Series Monitors		i Series	a Series	au Series
SN-PCXAV-VZ	17"(16" viewable) Professional Monitor, .25mm aperture grille, 1280x1024 @ 75Hz max resolution, northern hemisphere variant, 120/240V, TCO'95	X	X	X
SN-PCXAV-VY	17"(16" viewable) Professional Monitor, .25mm aperture grille, 1280x1024 @ 75Hz max resolution, southern hemisphere variant, 120/240V, MPR-II	X	X	X
SN-PCXAV-CZ ²	19"(18" viewable) Professional Monitor, .26mm aperture grille, 1280x1024 @ 75Hz max resolution, northern hemisphere variant, 120/240V, TCO'95	X	X	X
SN-PCXAV-WZ	21"(19.7" viewable) Professional Monitor, .28mm aperture grille, 1600x1200 @ 75Hz max resolution, northern hemisphere variant, 120/240V, TCO'95	X	X	X
SN-PCXAV-WY	21"(19.7" viewable) Professional Monitor, .28mm aperture grille, 1600x1200 @ 75Hz max resolution, southern hemisphere variant, 120/240V, MPR-II	X	X	X
SN-PCXAV-AZ ^{1,2}	24"(22.5" viewable) Professional Monitor, .26mm(center) to .29mm(corner) aperture grille, 1920x1200 @ 75Hz max resolution, northern hemisphere variant, 120/240V, TCO'92	—	X	X
Flat Panel Monitors		i Series	a Series	au Series
SN-PCXAV-KZ	15"(15" viewable) TFT Flat Panel Monitor, .297mm pixel pitch, 1024x768 @ 75Hz max resolution, analog input, worldwide variant, 120/240V, TCO'95	X	X	X
Corporate Series Monitors		i Series	a Series	au Series
SN-PCXBV-HZ	15"(13.8" viewable) Corporate Monitor, .28mm dot pitch, 1024x768 @ 85Hz max resolution, northern hemisphere variant, 120/240V, TCO'95	X	X	—
SN-PCXBV-HY	15"(13.8" viewable) Corporate Monitor, .28mm dot pitch, 1024x768 @ 85Hz max resolution, southern hemisphere variant, 120/240V, MPR-II	X	X	—
SN-PCXBV-JZ	17"(15.9" viewable) Corporate Monitor, .28mm dot pitch, 1024x768 @ 85Hz max resolution, northern hemisphere variant, 120/240V, TCO'95	X	X	—
SN-PCXBV-JY	17"(15.9" viewable) Corporate Monitor, .28mm dot pitch, 1024x768 @ 85Hz max resolution, southern hemisphere variant, 120/240V, MPR-II	X	X	—

1. Supported with Powerstorm 4D60T graphics options only.
 2. This monitor is only available with a Northern Hemisphere CRT.
 Note: FR-xxxxx-xx equivalent monitors are acceptable alternates.

Step 10—Network Options (Optional)

PCI-based Network options require 1 PCI slot		Maximum supported per system		
		i Series	a Series	au Series
SN-DE450-CA	PCI Ethernet Card (TW,TP,AUI)	—	2	2
SN-DE500-BA	Fast Ethernet PCI 10/100mbs (twisted pair)	1	2	2
SN-DE500-FA	PC Ethernet (Fiber) DCI MMJ	1	2	—
SN-PBXNP-AC	PCI Token Ring adapter	—	2	2
SN-DEFPA-AB	PCI – FDDI adapter SAS fiber	1	2	2
SN-DEFPA-DB	PCI – FDDI adapter DAS Fiber	1	2	2
SN-DEFPA-MB	PCI – FDDI adapter DAS UTP	—	2	2

Step 10—Network Options (Optional) (continued)

PCI-based Network options require 1 PCI slot		Maximum supported per system	i Series	a Series	au Series
SN-DEFFA-UB	PCI – FDDI adapter SAS UTP		—	2	2
PBXDA-AA	PCI Asynchronous 4-port adapter		—	2	2
PBXDA-AB	PCI Asynchronous 8-port adapter		—	2	2
SN-PBXIP-AA	PCI ISDN BRI S/T		—	2	2
SN-PBXIP-AB	PCI ISDN BRI U		—	2	2
SN-DGLPA-FA	PCI ATM adapter		—	—	2 ¹
SN-DGLPA-UA	PCI ATM adapter		—	—	2 ¹
PBXDP-AA	2 Port PC-Synchronous		—	2	—
PBXDP-AB	4 Port PC-Synchronous		—	2	—
PBXDP-AC	8 Port PC-Synchronous		—	2	—

1. Not supported on OpenVMS.

ISA-based Network options require 1 ISA slot		Maximum supported per system	i Series	a Series	au Series
SN-PCXHF-AA	ISA Fax/modem 28.8 Kbps (US only)		—	1	—
FR-PCXFA-AA	FAX/Modem 56 Kbps		—	—	—

System Enclosure Options			i Series	a Series	au Series
SN-PCXAN-DB	10BaseT/10Base 2 Ethernet Bulkhead Connector		—	1	1
SN-PCXAN-DC	10BaseT/10Base2 Ethernet bulkhead Connector, AUI		1	—	—
SN-PCXAN-DD	10BaseT/10Base2 Ethernet bulkhead Connector, BNC		1	—	—

Step 11—Input/Multimedia Devices (Optional)

SN-PBXWA-AA	2-button spaceball
SN-PBXWB-AA	3-button trackball
SN-PBXWT-AA	12x12 Digitizing tablet, 16-button cordless cursor 120V US wall mount power supply
SN-PBXWT-AB	12x12 Digitizing tablet, 16-button cordless cursor 220V European wall mount power supply
SN-PBXWT-AC	12x12 Digitizing tablet, 16-button cordless cursor 240V UK wall mount power supply
SN-PBXWT-AD	12x12 Digitizing tablet, 16-button cordless cursor 100V Japan wall mount power supply
SN-PBXWT-BA	2-button cordless click pen for all variants of PBXWT-Ax
SN-AV901-NT	Video Capture Card for Windows NT
SN-AV901-UX	Video Capture Card for Digital UNIX
SN-AVC91-NA	NTSC Desktop Camera for North America (120V)
SN-AVC91-EU	PAL Desktop Camera for Central Europe (220V)
SN-AVC91-JP	NTSC Desktop Camera for Japan (100V)

Step 12—Hardware Supplemental Services (Optional)

FM-W****.**	Hardware supplemental price depends on total price of the order, type of extension (e.g. Onsite Next Business Day, Onsite same business day, 7 x 24, and number of months). Refer to “Multivendor Customer Services Quick Quote Card” for part numbers (In Europe, refer to on-line Quoting System). First * after W could be A through P, depending on total list price of the hardware. Second through fourth * represent different levels (e.g. XHW for Onsite next business day service, 4 hour Onsite same business day service, and 7 x 24 service). Last two ** represent duration in months (e.g. 12, 36, 60)
FM-WSDTP-IN	Hardware Installation

Step 12a—Software Supplemental Services—Windows NT

FM-HD5**.**	5 x 9 Helpdesk Support
FM-HD7**.**	7 x 24 Helpdesk Support
	First two ** after 5 or 7 represent the number of calls, and could be 05, 15, or 25. Last two ** represent duration in months, and could be 12, 36, or 60

Step 12b—Software Supplemental Services—UNIX

FM-3BUNS-12	12 Month FULL Software Supplemental Support Services
FM-3BUNS-36	36 Month FULL Software Supplemental Support Services
FM-3BUNS-60	60 Month FULL Software Supplemental Support Services
FM-3BUNN-12	12 Month NODE Software Supplemental Support Services
FM-3BUNN-36	36 Month NODE Software Supplemental Support Services
FM-3BUNN-60	60 Month NODE Software Supplemental Support Services

Step 13—Media and Documentation (optional)

a-Series and au-Series User Documentation

EK-ALMIG-SI	DIGITAL Personal Workstation Set Up and Installation Guide—English
EK-ALMIF-SI	DIGITAL Personal Workstation Set Up and Installation Guide—French
EK-ALMID-SI	DIGITAL Personal Workstation Set Up and Installation Guide—German
EK-ALMIJ-SI	DIGITAL Personal Workstation Set Up and Installation Guide—Japanese
EK-ALMIS-SI	DIGITAL Personal Workstation Set Up and Installation Guide—Spanish
EK-ALMII-SI	DIGITAL Personal Workstation Set Up and Installation Guide—Italian

DIGITAL UNIX User Documentation

QA-MT4AA-GZ	DIGITAL UNIX 4.0D Full Documentation kit
QA-MT4AB-GZ¹	DIGITAL UNIX 4.0D End-User Documentation kit

1. Included in Full Documentation kit

DIGITAL UNIX Software Media and Optional Licenses

QA-MT4AA-H8	DIGITAL UNIX 4.0D Media & Documentation kit
QL-MT7AE-AA	DIGITAL UNIX 4.0D Unlimited User License
QL-MT6AE-AA	DIGITAL UNIX 4.0D Server Extensions License
QL-MT5AE-AA	DIGITAL UNIX 4.0D C Developer’s Extensions License
QL-MT7AM-3B	DIGITAL UNIX 4.0D 1-User Concurrent License
QL-MT7AM-3C	DIGITAL UNIX 4.0D 2-User Concurrent License

Step 13—Media and Documentation (optional) (continued)**DIGITAL UNIX Software Media and Optional Licenses (continued)**

QL-MT7AM-3D	DIGITAL UNIX 4.0D 4-User Concurrent License
QL-MT7AM-3E	DIGITAL UNIX 4.0D 8-User Concurrent License
QL-MT7AM-3F	DIGITAL UNIX 4.0D 16-User Concurrent License
QL-MT7AM-3G	DIGITAL UNIX 4.0D 32-User Concurrent License
QL-MT7AM-3H	DIGITAL UNIX 4.0D 64-User Concurrent License

Note: All DIGITAL UNIX systems include 2-user Base license.

DIGITAL UNIX Layered Products CD-ROM

QA-054AA-H8	Layered products media and documentation for DIGITAL UNIX on CD-ROM
--------------------	---------------------------------------------------------------------

DIGITAL Open3D for DIGITAL UNIX CD-ROM

QA-0AFAA-H8	DIGITAL Open3D for DIGITAL UNIX on CD-ROM, includes graphics drivers
--------------------	----------------------------------------------------------------------

OpenVMS Media and Documentation

- OpenVMS Packaged and Base systems require operating system media and documentation for first system on site.
- Software Processor Code = E

QA-MT1AD-H8	OpenVMS V7.1-1H1 Media on CD-ROM
QA-MT1AA-H8	OpenVMS V7.1 media and on-line doc on CD-ROM
QA-001AA-GZ	OpenVMS hardcopy documentation

OpenVMS Optional Licenses

- OpenVMS Concurrent Use Licenses are not specific to a single system and can be moved between systems at user discretion. OpenVMS Concurrent Use Licenses can also be shared in a mixed OpenVMS VAX and OpenVMS Alpha Cluster. The OpenVMS traditional unlimited use license is system specific and can only be used on one single system at a time. It can not be shared between systems or in an OpenVMS VAX or OpenVMS Alpha Cluster.

QL-MT3AA-3B	OpenVMS Concurrent Use 1-user license
QL-MT3AA-3C	OpenVMS Concurrent Use 2-user license
QL-MT3AA-3D	OpenVMS Concurrent Use 4-user license
QL-MT3AA-3E	OpenVMS Concurrent Use 8-user license
QL-MT3AA-3F	OpenVMS Concurrent Use 16-user license
QL-MT3AA-3G	OpenVMS Concurrent Use 32-user license
QL-MT3AA-3H	OpenVMS Concurrent Use 64-user license
QL-MT3AA-3J	OpenVMS Concurrent Use 128-user license
QL-MT3AA-3K	OpenVMS Concurrent Use 256-user license
QL-MT2AE-AA	OpenVMS traditional unlimited user license

OpenVMS Layered Products CD-ROM

QA-03XAA-H8	Layered products media and documentation for OpenVMS on CD-ROM
--------------------	----------------------------------------------------------------

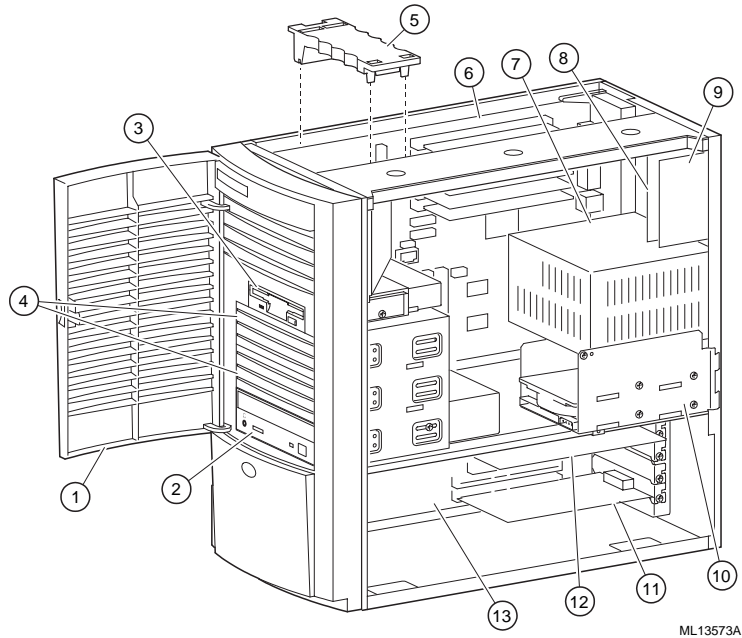
DIGITAL Open3D for OpenVMS CD-ROM

QA-0ADAA-H8	DIGITAL Open3D for OpenVMS on CD-ROM, includes graphics drivers
--------------------	-----------------------------------------------------------------

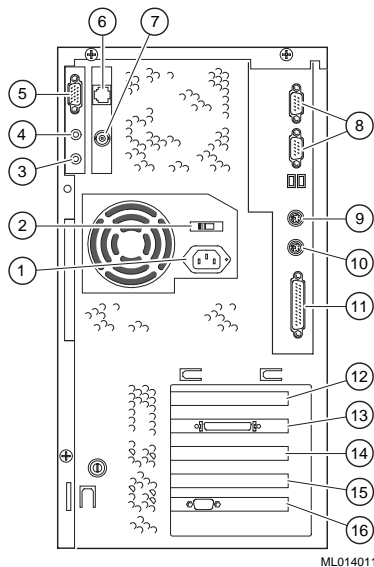
Specifications

Height	40.64 cm (16-inches)
Width	21.59 cm (8.5-inches)
Depth	44.45 cm (17.5-inches)

DIGITAL Personal Workstations System Diagram (a-Series, au-Series)



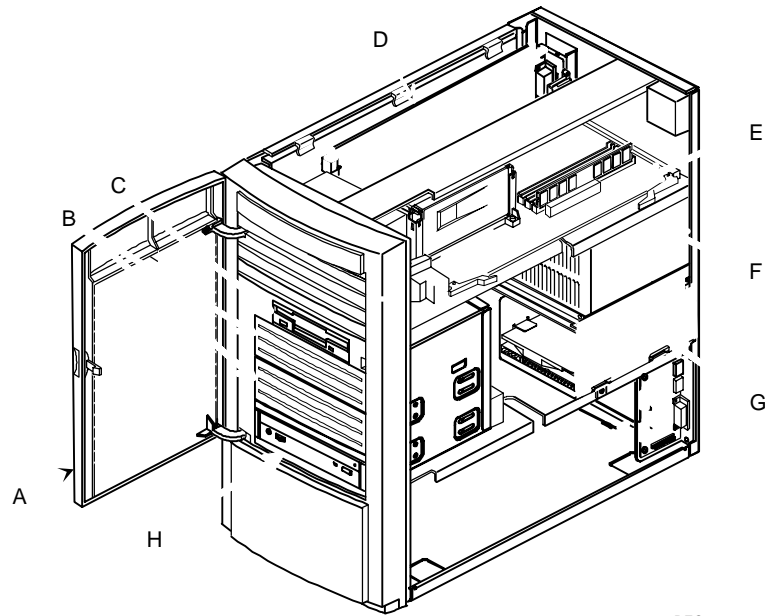
- | | |
|-------------------------------------------------------------------------------------------------------------------------------------------------------------------------------------------------------------------------------------------------------------------------------------------------------|-----------------------------------------------------------------------------------------------------------------------------------------------------------------------------------------------------------------------------------------------------------------------------------------------------------------------------------|
| <ol style="list-style-type: none"> 1. Front door assembly 2. 5.25" CD-ROM drive bay 3. 3.5" floppy diskette drive bay 4. Two 5.25" removable media bays 5. Main Logic Board retainer bracket 6. Main Logic Board 7. Power supply | <ol style="list-style-type: none"> 8. Ethernet connector card (MAU or MII) 9. Audio connector card 10. Two 3.5" x 1" hard disk drive bays 11. 64-bit (or 32-bit) PCI option installed on riser card 12. ISA card installed in PCI/ISA combination slot 13. Riser card |
|-------------------------------------------------------------------------------------------------------------------------------------------------------------------------------------------------------------------------------------------------------------------------------------------------------|-----------------------------------------------------------------------------------------------------------------------------------------------------------------------------------------------------------------------------------------------------------------------------------------------------------------------------------|



- | | |
|---------------------------------------------------------------------------------------------------------------------------------------------------------------------------------------------------------------------------------------------------------------------------------------------------------------------------------|----------------------------------------------------------------------------------------------------------------------------------------------------------------------------------------------------------------------------------------------------------------------------------------------------------------------------------------------------------------------------------------|
| <ol style="list-style-type: none"> 1. AC power connector 2. Voltage selector switch 3. Audio line In 4. Speaker Out 5. MIDI adapter or joystick connector 6. Ethernet Twisted pair 7. ThinWire Ethernet (optional) 8. Communication ports 1 and 2 | <ol style="list-style-type: none"> 9. Mouse port 10. Keyboard port 11. Parallel port 12. Slot 1: 32-bit PCI (half size slot) 13. Slot 2: 32-bit PCI/ISA (half size slot) 14. Slot 3: 32-bit PCI/ISA (full size slot) 15. Slot 4: 64-bit PCI/ISA (full size slot) 16. Slot 5: 64-bit PCI (full size slot) |
|---------------------------------------------------------------------------------------------------------------------------------------------------------------------------------------------------------------------------------------------------------------------------------------------------------------------------------|----------------------------------------------------------------------------------------------------------------------------------------------------------------------------------------------------------------------------------------------------------------------------------------------------------------------------------------------------------------------------------------|

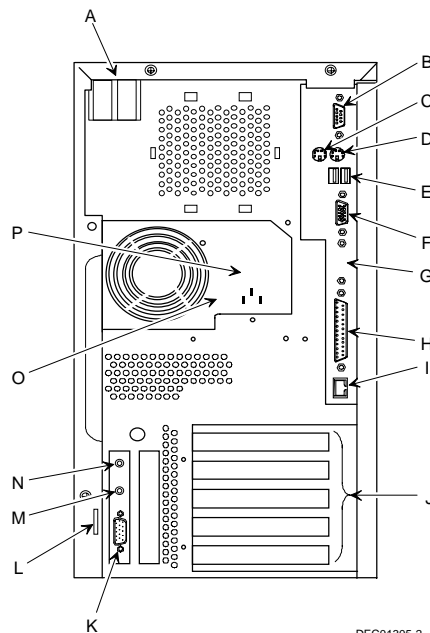
DIGITAL Personal Workstations

DIGITAL Personal Workstations System Diagram (i-Series)



DEC01301-2

- | | |
|-----------------------------------------------------|---------------------------------------------------------------------------|
| A. Door assembly | F. Power supply |
| B. Two Front access 5 1/4-inch removable media bays | G. Internal 3 1/2-inch drive bays (supports IDE, and wide SCSI hard disk) |
| C. 3 1/2-inch diskette drive | H. CD-ROM drive |
| D. Main Logic Board | |
| E. Pentium II processor module | |



DEC01305-2

- | | |
|--------------------------------|------------------------------------|
| A. Optional AGP port connector | I. 10 Base-T port connector (RJ45) |
| B. Video port connector | J. Expansion board slots |
| C. Keyboard connector | K. MIDI/joystick port connector |
| D. Mouse connector | L. Chassis lockdown |
| E. USB ports | M. Speaker out |
| F. Serial port connector 1 | N. Line in (microphone) |
| G. Serial port connector 2 | O. ac line connector |
| H. Parallel port connector | P. Voltage select switch |