



DIGITAL Server 3300 Pedestal—Rackmount
V2.9—25 January 1999
DIGITAL Systems and Options Catalog

Product Description

DIGITAL Server 3300 is an Alpha CPU server for Windows NT, available in 400 MHz, and 500 MHz versions, both with 2 MB ECC cache. The system is available in Pedestal and Rackmount versions. DIGITAL Server 3300 offers the following high-reliability features: hot swap drives, Remote Management Console, and ECC memory. Integrated on the system motherboard is an UltraSCSI controller, SVGA controller (TRIO-S3, 1 MB RAM), Remote Management Console, diskette controller, two serial ports, one parallel port, and keyboard and mouse interfaces.

DIGITAL Server 3300 Packaged Systems offer up to eight internal storage devices, including a floppy diskette drive, a CD-ROM, two additional 5.25-inch removable media bays for optional removable media drives, and four hot swap SCA-2 UltraSCSI disk devices. The system supports up to 72 GB of internal storage with four 18.2 GB disks and 2 GB memory.

DIGITAL Server 3300 integrated Remote Management Console (RMC) features significantly enhance the ability to remotely manage and diagnose system conditions. The RMC allows a remote operator to monitor server voltages, temperatures, and fan, as well as manipulate the server (Power On/Off, reset, halt). An auxiliary regulator powers the RMC in the main power system that allows systems to be remotely interrogated.

ServerWORKS Manager provides proactive server and network management capabilities and is bundled with all DIGITAL Server systems. Simple Network Management Protocol (SNMP) enables information to pass from the managed system to the ServerWORKS management console for Windows NT systems.. System, network, storage, and environmental information is retrievable. Alarms can be set on critical system parameters and events to notify the administrator of a problem before it occurs enabling proactive management (instead of reactive management) of systems. All DIGITAL Server systems are supplied with management tools to complement ServerWORKS Manager.

Compaq and the names of Compaq products referenced herein are either trademarks and/or service marks or registered trademarks and/or service marks of Compaq.

DIGITAL is a Trademark of Compaq Computer Corporation.

Microsoft, Windows, Windows NT, SQL Server, Office and BackOffice are either trademarks or registered trademarks of Microsoft Corporation.

Intel and Pentium are registered trademarks of Intel Corporation.

Other product and company names mentioned herein may be trademarks and/or service marks of their respective owners.

Step 1—DIGITAL Server 3300 Pedestal and Rackmount Systems

DIGITAL Server 3300 are available in three configurations

- **Windows NT Packaged Systems**
 - Includes one memory kit (64 MB or 128 MB,
One 4.3 GB hard disk drive
Windows NT Factory Installed Software (FIS) Windows NT Server 4.0 on hard disk drive
 - Selection of Windows NT Server 4.0 plus 10-client access license, media kit (CD-ROM) is **mandatory** for DIGITAL Server 3300 Windows NT Packaged Systems
- **Memory Packaged Systems**
 - Includes one memory kit (64 MB or 128 MB)
 - Disk drives and Windows NT operating system are not included
 - Order disk drives separately
 - Windows NT license and media kit is **not** available from Compaq for DIGITAL Server 3300 Memory Packaged Systems. Order directly from Microsoft, or from an authorized Microsoft reseller.
- **System Building Blocks**
 - Memory, disk drives, and Windows NT operating system are not included
 - Order memory and disk drives separately
 - Windows NT license and media kit is **not** available from Compaq for DIGITAL Server 3300 System Building Blocks. Order directly from Microsoft, or from an authorized Microsoft reseller.
- Options ordered will be factory installed unless specified as spares.

All Pedestal and Rackmount Systems include

- Processor module with:
 - Alpha microprocessor 21164
with 400 MHz CPU or 500 MHz CPU
each CPU includes 2 MB ECC onboard cache
- Pedestal or Rackmount enclosure with:
 - Six expansion slots: three 32 bit-PCI and one
64 bit-PCI/EISA combination and two EISA slots
 - Onboard UltraSCSI adapter supports removable media
(CD-ROMs and tapes) and internal drive shelf only.
 - Support for maximum 2 GB system memory.
 - Eight storage bays:
One floppy drive bay
One CD-ROM drive bay
Two additional half height (or one full height)
removable media device bays
Four hot-swap hard drive bays
- 350 Watt switchable (120/240 V, 50/60 Hz) power supply
- Two serial ports support full duplex asynchronous modem control
- One bi-directional enhanced parallel port
- PS/2 style keyboard port and mouse port
- 1.44 MB floppy drive
- 600 MB CD-ROM drive
- PCI-based Fast 100 Ethernet (Twisted Pair)—uses one PCI slot
- US English documentation
- Integrated Advanced Server Management features, including ServerWORKS Manager kit
- Hardware warranty: three-year on-site¹
- Software warranty¹

1. Service upgrades are available; see Step 10.

Step 1a—DIGITAL Server 3300 Pedestal and Rackmount Systems

- Digital's OEM license agreement for Windows NT mandates compliance with specific configuration rules:
- Windows NT Language Configuration
 - All Windows NT Packaged Systems include factory-installed software (FIS).
 - Selection of language-specific Windows NT Server 4.0 license/media (CD-ROM) kit is **mandatory** when ordering a Windows NT Packaged System.
- Windows NT is **not** available from Digital for DIGITAL Server 3300 System Building Blocks or Memory Packages Systems.
- Software Warranty
 - Warranty on Microsoft's Windows NT Server 4.0 is conformance to the written material accompanying the software for a period of ninety days.
- Video monitor is required for system management; order separately if not available at customer site.

Step 1a—DIGITAL Server 3300 Pedestal and Rackmount Systems (*continued*)**Pedestal Windows NT Packaged Systems**

Selection of language-specific Windows NT Server 4.0 license/media (CD-ROM) kit is **mandatory** when ordering a Windows NT Packaged System, see Step 9.

Order Number	O/S Media	CPU Speed	Country kit	Memory	Disk	Fast Ethernet	Graphics	Monitor
FR-K7F2W-AA	Mandatory	400 MHz	Mandatory	64 MB	4.3 GB	Included	Included	Required
FR-K7F2W-AB	Mandatory	400 MHz	Mandatory	128 MB	4.3 GB	Included	Included	Required
FR-K7F4W-AA	Mandatory	500 MHz	Mandatory	64 MB	4.3 GB	Included	Included	Required
FR-K7F4W-AB	Mandatory	500 MHz	Mandatory	128 MB	4.3 GB	Included	Included	Required

Pedestal Memory Packaged Systems

Windows NT is not available from DIGITAL for Memory Packaged Systems. Order directly from Microsoft, or from an authorized Microsoft reseller.

Order Number	O/S Media	CPU Speed	Country kit	Memory	Disk	Fast Ethernet	Graphics	Monitor
FR-K7F2W-WB	Required ¹	400 MHz	Mandatory	64 MB	Required	Included	Included	Required
FR-K7F2W-WC	Required ¹	400 MHz	Mandatory	128 MB	Required	Included	Included	Required
FR-K7F4W-WB	Required ¹	500 MHz	Mandatory	64 MB	Required	Included	Included	Required
FR-K7F4W-WC	Required ¹	500 MHz	Mandatory	128 MB	Required	Included	Included	Required

Pedestal System Building Blocks

Windows NT is not available from DIGITAL for System Building Blocks. Order directly from Microsoft, or from an authorized Microsoft reseller.

Order Number	O/S Media	CPU Speed	Country kit	Memory	Disk	Fast Ethernet	Graphics	Monitor
FR-K7F2W-WA	Required ¹	400 MHz	Mandatory	Required	Required	Included	Included	Required
FR-K7F4W-WA	Required ¹	500 MHz	Mandatory	Required	Required	Included	Included	Required

1. Windows NT Server 4.0 license and media (CD-ROM) kit is **not** available from DIGITAL for these systems. Order directly from Microsoft, or from an authorized Microsoft reseller.

Key: Mandatory items must be on purchase order at initial order acceptance.
Required items are essential for full system operation.

Step 1a—DIGITAL Server 3300 Pedestal and Rackmount Systems (continued)**DIGITAL Server 3300 Rackmount Systems**

Rackmount systems must be installed in a cabinet. Customers may install system in an existing cabinet or select cabinet from Step 8.

Rackmount Windows NT Packaged Systems

Selection of language-specific Windows NT Server 4.0 license/media (CD-ROM) kit is **mandatory** when ordering a Windows NT Packaged System, see Step 9.

Order Number	O/S Media	CPU Speed	Country kit	Memory	Disk	Fast Ethernet	Graphics	Monitor
FR-R7F2W-AA	Mandatory	400 MHz	Mandatory	64 MB	4.3 GB	Included	Included	Required
FR-R7F2W-AB	Mandatory	400 MHz	Mandatory	128 MB	4.3 GB	Included	Included	Required
FR-R7F4W-AA	Mandatory	500 MHz	Mandatory	64 MB	4.3 GB	Included	Included	Required
FR-R7F4W-AB	Mandatory	500 MHz	Mandatory	128 MB	4.3 GB	Included	Included	Required

Rackmount Memory Packaged Systems

Windows NT is not available from DIGITAL for Memory Packaged Systems. Order directly from Microsoft, or from an authorized Microsoft reseller.

Order Number	O/S Media	CPU Speed	Country kit	Memory	Disk	Fast Ethernet	Graphics	Monitor
FR-R7F2W-WB	Required ¹	400 MHz	Mandatory	64 MB	Required	Included	Included	Required
FR-R7F2W-WC	Required ¹	400 MHz	Mandatory	128 MB	Required	Included	Included	Required
FR-R7F4W-WB	Required ¹	500 MHz	Mandatory	64 MB	Required	Included	Included	Required
FR-R7F4W-WC	Required ¹	500 MHz	Mandatory	128 MB	Required	Included	Included	Required

Rackmount System Building Blocks

Windows NT is not available from DIGITAL for System Building Blocks. Order directly from Microsoft, or from an authorized Microsoft reseller.

Order Number	O/S Media	CPU Speed	Country kit	Memory	Disk	Fast Ethernet	Graphics	Monitor
FR-R7F2W-WA	Required ¹	400 MHz	Mandatory	Required	Required	Included	Included	Required
FR-R7F4W-WA	Required ¹	500 MHz	Mandatory	Required	Required	Included	Included	Required

1. Windows NT Server 4.0 license and media (CD-ROM) kit is **not** available from DIGITAL for these systems. Order directly from Microsoft, or from an authorized Microsoft reseller.

Key: Mandatory items must be on purchase order at initial order acceptance.
Required items are essential for full system operation.

Step 2—Memory

- Memory Packaged Systems and Windows NT Packaged Systems include one memory kit.
- Memory is not included in the System Building Blocks.
- System supports up to two memory kits. (Each kit includes four industry-standard DIMMs with ECC support.)
- System supports maximum of 2 GB of memory.

FR-PC SMA-BB	64 MB	(4 x 16 MB DIMMs) memory kit
FR-PC SMA-BC	128 MB	(4 x 32 MB DIMMs) memory kit
FR-PC SMA-BD	256 MB	(4 x 64 MB DIMMs) memory kit
FR-PC SMA-BE	512 MB	(4 x 128 MB DIMMs) memory kit
FR-PC SMA-BF	1.0 GB	(4 x 256 MB DIMMs) memory kit

Step 3—Storage

All Pedestal and Rackmount systems include an onboard UltraSCSI adapter which supports a maximum of seven internal devices, four hot-swap hard disk drives and three removable devices.

Step 3a—Pedestal and Rackmount Internal Storage

- **Windows NT Packaged Systems include:**
 - One CD-ROM drive
 - One 4.3 GB UltraSCSI hard disk drive
 - One 1.44 MB diskette drive in dedicated bay
- **Memory Packaged Systems and System Building Blocks include:**
 - One CD-ROM drive
 - One 1.44 MB diskette drive in dedicated bay

Internal Hard Disk Drives

- Windows NT Packaged Systems include one 4.3 GB UltraSCSI SCA-2 hard disk drive (FR-CECBA-DA). Up to three additional internal hot-swap hard disk drives are supported.
- Memory Packaged Systems and System Building Blocks do not include a disk drive. Up to four hot-swap hard disk drives are supported.

FR-DECBA-CA 4.3 GB UltraSCSI 7200 RPM disk drive in frost white SBB

FR-DFCBA-CA 9.1 GB UltraSCSI 7200 RPM disk drive in frost white SBB

FR-CGCBA-CA 18.2 GB UltraSCSI 7200 RPM disk drive in frost white SBB

Note: The Operating System disk drive is supported in the removable media drive bay as a JBOD device. This allows a RAID configuration of all four drive bays in system enclosure. Installing O/S disk in removable media bay requires a one-port PCI UltraSCSI single-ended adapter (FR-PCTAZ-DF).

Internal Removable Media Devices

- All Pedestal and Rackmount systems include one 600 MB CD-ROM drive in removable media bay, and one diskette drive in dedicated bay.
- System supports two additional 5.25" half-height removable media devices, **or** one additional 5.25" full-height removable media device. Note above regarding installing hard disk drive in removable media bay.

RRD47-AB 32X SCSI CD-ROM 5.25-inch half height, Frost White

FR-PCXRJ-AD 1.44 MB 3.5-inch replacement floppy, Frost White

Tape Drives

FR-PCXAT-AJ 4/8 GB 5.25-inch half-height SCSI DDS2 DAT tape drive

FR-PCXAT-AK 12/24 GB 5.25-inch half-height SCSI DDS3 DAT drive

TLZ10-LK 12/24 GB 5.25-inch half height 4mm SCSI DAT drive

FR-PCXAT-EA 25/50 GB 5.25-inch half-height AIT tape drive, requires an FR-PCTAZ-DF controller and an PB8HA-FA SCSI cable for internal connection.

Step 3a—Pedestal and Rackmount Internal Storage

Internal SCSI Cable Kits

PB8HA-DA	Includes 68-pin SCSI cable, connects 16-bit wide SCSI controller to internal storage assembly Example – connects FR-KZPAC-xx PCI RAID controller to internal storage assembly, maximum one per system.
BC25V-1H	Includes 68-pin SCSI cable, connects 16-bit wide SCSI controller to bulkhead for external 16-bit wide SCSI expansion, maximum two per system

Step 3b—Storage Controllers

- All packaged systems include an onboard UltraSCSI adapter that supports seven internal devices (four SCA-2 hard disk drives, plus three removable media drives).
- Maximum four PCI-based FR-KZPAC-xx SCSI controllers supported per system.
 - FR-KZPAC-xx RAID controller includes RAID Array 230/Plus Subsystem Software and documentation kit for Windows NT.
 - FR-KZPAC-AA one-port controller installed in system requires a PB8HA-DA SCSI cable kit for connection to internal storage assembly.
 - FR-KZPAC-CA and FR-KZPAC-CB three-port RAID controllers installed in system require one PB8HA-DA SCSI cable kit for connection to internal storage assembly, or one BC25V-1H cable kit to connect third-port to expansion bulkhead breakout for external expansion.
 - If the internal drives are connected to a PCI based RAID controller (instead of the integral UltraSCSI controller), Fault Management must be disabled when the RCU (Raid Configuration Utility) is executed.

SCSI Controllers

FR-PCTAZ-DF	One-port PCI UltraSCSI Single-Ended adapter (68 pin HD), maximum four per system
FR-PCTAZ-EC	Two-port PCI UltraSCSI Single-Ended adapter (68 pin HD), maximum four per system
FR-PCTAZ-FB	One-port PCI Differential SCSI controller, maximum four per system
FR-PCTBZ-AA	Two-Port PCI UltraSCSI Single-Ended (.8 mm 68-pin VHDCI) 1 Channel 10/100Mb Ethernet combination adapter, maximum three per system
FR-KZPAC-AA	One-port PCI UltraSCSI RAID controller with 4 MB cache memory, includes RAID Array 230/Plus Subsystem Software and documentation kit. 68-pin HD connector on the module for internal connection and .8 mm 68-pin VHDCI connector on module's standard PCI bulkhead for external connections. Requires selection of appropriate SCSI cables listed below
FR-KZPAC-CA	Three-port PCI UltraSCSI RAID controller with 4 MB cache memory, includes RAID Array 230/Plus Subsystem Software and documentation kit. Tape drives are not supported. Two external 68-pin VHDCI connectors on module's standard PCI bulkhead for external connections. SCSI cable are required for each active port. BN31K-0E or FR-KZPAC-SB or BC25V-1H must be ordered for connection of third port to DIGITAL Server 3300 bulkhead breakout
FR-KZPAC-CB	Same as FR-KZPAC-CA with 8 MB cache memory
FR-PCTAR-UB	Cache battery-backup option for FR-KZPAC-xx controllers
BN31K-0E	SCSI cable/bulkhead assembly kit for connection of third port on FR-KZPAC-CA/CB to PCI/EISA bulkhead slot. Uses one PCI/EISA bulkhead slot.
FR-KZPAC-SB	SCSI bulkhead assembly kit with two ports, allows connection of two third-port outputs on FR-KZPAC controllers to a single bulkhead PCI/EISA slot. Uses one PCI/EISA bulkhead slot.
KZPSA-BB	PCI one-port FWD SCSI adapter; requires DWZZB-VW signal converter if connecting directly to StorageWorks shelf.
KZPBA-CB	PCI-based one port UltraSCSI Differential adapter, 68HD male connector (external tapes only)

Step 3b—Storage Controllers (continued)**Cables**

FR-BN21K-02	External 2 meter SCSI cable, 68-pin HD to 68 HD right angle
FR-PCXAR-WK	External 2 meter SCSI cable, 68-pin HD to 50 pin HD
FR-PCXAR-WL	External 2 meter SCSI cable, 68-pin HD to 50 pin LD
FR-BN31S-1E	External 1.5 meter SCSI cable, VHDCI to 68 pin HD
FR-PCXAR-WJ	External SCSI 68 pin terminator
FR-BN38C-02/05	External 2/5 meter UltraSCSI cable, 68-pin HD male to 68-pin VHDCI male
FR-BN37A-02/05	External 2/5 meter UltraSCSI cable, VHDCI male to VHDCI male
BN38C-02	External 2 meter SCSI cable, required for each StorageWorks shelf attached to KZPBA adapter.

External Tape Drives

DS-TLZ10-DB	12/24GB 4 mm DAT SCSI tape drive, tabletop, requires SCSI cable
TZK11-DA	2 GB QIC tape drive, tabletop, includes SCSI cable
DS-TZS20-DB	25/50 GB AIT 8mm tape drive, tabletop, requires SCSI cable
TZ88N-TA	20/40 GB DLT drive, tabletop
DS-TZ89N-TA	35/70 GB Single-Ended DLT drive, tabletop
TZ887-NT	140/280 GB DLT 7 cartridge loader, tabletop
DS-TL891-NE	350/700GB DLT 10 slot mini library, rackmount
DS-TL891-NT	350/700GB DLT 10 slot mini library, tabletop

Step 3c—Windows NT Cluster Kits

- The BA356 and RA7000 Cluster Kits (FR-CK356-xx and FR-CK700-xx) support DIGITAL Clusters for Windows NT (requires Windows NT Server 4.0 for each server and one copy of the DCNT software, QB-53V9A-SA) and Microsoft Cluster Server (requires purchase of Windows NT Server Enterprise for each server).

FR-CK356-UP	BA356 UltraSCSI Cluster Kit, pedestal
FR-CK356-UR	BA356 UltraSCSI Cluster Kit, rackmount
FR-CK700-UP	RA7000 Cluster Kit, pedestal
FR-CK700-UR	RA7000 Cluster Kit, rackmount

Cluster Storage

DS-RZ1BB-VW	2.1 GB UltraSCSI (blue SBB), 7200 RPM
DS-RZ1CF-VW	4.3 GB UltraSCSI (blue SBB), 7200 RPM
DS-RZ1DF-VW	9.1 GB UltraSCSI (blue SBB), 7200 RPM
DS-RZ1EF-VW	18.2 GB UltraSCSI (blue SBB), 7200 RPM

Step 3d—RAID Array Expansion**RAID Array 450**

DS-SWXRA-W0	RAID Array 450 Subsystem, office enclosure (blue box, blue drives)
DS-SWXRA-W4	RAID Array 450 Subsystem, rackmount enclosure (blue box, blue drives)
HSZ50-AF	RAID 450/HSZ50 controller, 32MB cache
HSSIM-AA	32 MB cache module for HSZ50 controller
SWXBP-SD	RA450 150 watt Shelf Power Supply
HS35X-BA	Single cache battery in one SBB
HS35X-BB	Dual cache batteries in one SBB

Step 3d—RAID Array Expansion (continued)**RAID Array 3000**

Supported by Adaptec 2944UW host adapter and V2.11 S29 driver.

DS-SWXRA-GA	RAID Array 3000 with one HSZ22 controller, pedestal, 120V (blue box, blue drives)
DS-SWXRA-GC	RAID Array 3000 with one HSZ22 controller, pedestal, 120V (blue box, blue drives)
QB-5TWAD-SA	RA3000 Solutions Software Kit for Windows NT/Alpha
DS-SWXRA-GD	Expansion pedestal
DS-HSZ22-AA	Second HSZ22 controller with 16 MB mirrored cache

RAID Array 7000

DS-SWXRA-HA	RAID Array 7000 with dual HSZ70 controllers (blue box, blue drives)
DS-SWXRA-HC	RAID Array 7000 with single HSZ70 controller (blue box, blue drives)
DS-HSZ70-AH	RAID 7000 controller, 64MB cache
DS-BA35X-HH	Additional 180 watt power supply
DS-BA35X-HE	ac Input Box for BA370
DS-BA35X-EB	Environmental Monitoring Unit (EMU)
DS-BA35X-EC	Power Verification and Addressing (PVA)
DS-BA35X-MK	Dual-speed Fan Kit
BNF01-10	10-meter host connection cable

RAID Array 7000/Fibre Channel

DS-SWXRA-KA	RAID Array 7000/FC with dual HSG80 FC controllers (blue box, blue drives)
DS-SWXRA-KC	RAID Array 7000/FC with single HSG80 controller (blue box, blue drives)
DS-BA35X-HH	Additional 180 watt power supply
DS-BA35X-HE	Power Control Unit
DS-BA35X-EB	Environmental Monitoring Unit (EMU)
DS-BA35X-EC	Power Verification and Addressing (PVA)
DS-BA35X-MK	Dual-speed Fan Kit
BNF01-10	10-meter host connection cable

RAID Array 10000

DS-SWXES-AA/AB	ESA 10000 high capacity/general base unit (blue box, blue drives)
DS-SWXES-BA/BB	ESA 10000 high bandwidth base unit (blue box, blue drives)
DS-SWXES-CA/CB	ESA 10000 dual expansion base unit (blue box, blue drives)
DS-SWXES-DA/DB	ESA 10000 single expansion, dual controllers base unit (blue box, blue drives)
DS-HSSIM-AB	64 MB cache upgrade for HSZ70
DS-BA35X-HH	Additional 180 watt power supply
DS-BA35X-HE	ac Input Box for BA370
DS-SW6XP-AA/AB	SW600 power distribution unit, SW600 support one power distribution unit

Storage Expansion Boxes

FR-BA356-PA	UltraSCSI expansion pedestal with power supply (FR-BA35X-HK) white box
FR-BA356-PD	UltraSCSI expansion rackmount with power supply (FR-BA35X-HK) white box
FR-BA35X-HK	180 Watt universal ac input power supply, maximum two power supplies per FR-BA365-PA/PD
FR-DECBA-CA	4.3 GB UltraSCSI (white SBB), 7200 RPM
FR-DFCBA-CA	9.1 GB UltraSCSI (white SBB), 7200 RPM
FR-CGCBA-CA	18.2 GB UltraSCSI (white SBB), 7200 RPM

Step 3d—RAID Array Expansion (continued)**Power Cords**

Order country-specific power cord for external Storage expansion

Order Number	Country/Voltage	Amps	Plug	Meters (Feet)
BN27S-03	U.S./Japan, 250 V	15	NEMA 5-15	3.0 (9.8)
BN19H-2E	Australia/New Zealand, 250 V	10	AS 3112-1981	2.5 (8.2)
BN19C-2E	Central Europe, 250 V	10	CEE 7/7(Schuko)	2.5 (8.2)
BN19A-2E	U.K./Ireland, 250 V	10	BS 1363	2.5 (8.2)
BN19E-2E	Switzerland, 250 V	10	SEV 1011	2.5 (8.2)
BN19K-2E	Denmark, 250 V	10	Afsnit 107	2.5 (8.2)
BN19Z-2E	Italy, 250 V	10	CEI 23-16/VII	2.5 (8.2)
BN19S-2E	India/South Africa, 250 V	10	BS 546	2.5 (8.2)
BN18L-2E	Israel, 250 V	10	SI 32	2.5 (8.2)

Step 4—Monitors

- Systems require a graphics monitor to run all functions.
- Monitors do not include power cord. Country specific power cord is included in country kit (Step 7).
- Graphics monitors other than those listed below can be used if compatible with SVGA graphics included with system.

FR-PCXBV-EZ	15" (13.9" viewable image size) Corporate Series auto-scanning color monitor, flat square invar CRT, 0.28 mm dot pitch, VGA to 1024 x 768 @ 65 Hz, TCO 92, MPRII, Energy Star, attached video cable. Select country specific power cords for -EZ (Northern Hemisphere) variants.
FR-PCXAV-YZ	17" (16.0" viewable image size) professional series auto-scanning color monitor, Trinitron CRT, 0.25 mm aperture grill pitch, VGA to 1280 x 1024 at 65 Hz, TCO 92, MPR-II, Energy Star, HD15 male to male video cable. Select country specific power cords for -YZ (Northern Hemisphere) variants.
FR-PCXAV-WZ	21" (19.7" viewable image size) auto-scanning color monitor, 0.28 Dot Pitch, VGA to 1280 x 1024 at 65 Hz NI, TCO 92, Energy Star, includes video cable. Select country specific power cords for -WZ (Northern Hemisphere) variants.

Step 5—Graphics Adapters

- Systems include onboard SVGA with 1 MB video RAM. On-board SVGA must be disabled before installing a PCI graphics options.
- Select only if additional PCI graphics card is required.
- Maximum one graphics card supported per system. Onboard SVGA must be disabled.

FR-PB2GA-JC	PCI-based 1 MB DRAM graphics adapter, Windows NT.
--------------------	---

Step 6—Networks and Communications

- Systems include PCI-based Fast-100 Ethernet (Twisted Pair) controller (FR-DE500-BA).
- Select networking cable for Ethernet controller
 - BN25G-03/04/07 or BN24Q-xx for 10BaseT (Twisted Pair)

FR-DE500-BA	PCI-based Fast Ethernet network interface card, maximum four per system
FR-DE450-CA	PCI-based DIGITAL Etherworks 32-bit network interface card (Twisted Pair, Thick wire, ThinWire), maximum four per system
DE504-BA	PCI-based 4-port Fast Ethernet network interface card
SN-PBXNP-AC	PCI-based Token Ring network card
FR-DEFPA-AB	PCI-based FDDI adapter, single attachment; maximum four per system
FR-DEFPA-DB	PCI-based FDDI adapter, dual attachment, maximum four per system
FR-DEFPA-UB	PCI-based FDDI adapter (UTP); maximum four per system
PBXDP-AA	PCI-based 2 port asynchronous controller
PBXDP-AB	PCI-based 4 port asynchronous controller
PBXDP-AC	PCI-based 8 port asynchronous controller
CXI01-AA	ISA-based asynchronous multiport MUX 16 port XEM
CXI01-AB	ISA-based asynchronous multiport MUX expander XEM
CXI01-AC	ISA-based asynchronous MUX cable convert (RJ45-DB25)
CXI01-AF	ISA-based asynchronous MUX adapter (Rj45-MJ11), 8 pack
FR-PCXFA-AA	PCI-based, 56 Kbps modem, maximum four per system
FR-PCXFA-AB	External 56 Kbps model

Step 7—Country Kits and Miscellaneous Options

- Selection of country kit is mandatory.
- Country kits include a 105-key, PC-style keyboard, three button mouse, and two 2.5 meter power cords.

Note: For Rackmount systems, selection of a 16" keyboard and mouse kit is recommended if keyboard is to fit in the rack.

Country Kits		Country Kits	
FR-PCK8W-AA	North American country kit	FR-PCK8W-BI	Taiwan country kit
FR-PCK8W-AB	Belgium country kit	FR-PCK8W-BK	South Korea country kit
FR-PCK8W-AC	French Canadian country kit	FR-PCK8W-BQ	Hungarian country kit
FR-PCK8W-AD	Danish country kit	FR-PCK8W-BR	Arabic country kit
FR-PCK8W-AE	UK/Ireland country kit	FR-PCK8W-BT	Russian (Cyrillic) country kit
FR-PCK8W-AF	Finnish (SUOMI) country kit	FR-PCK8W-BU	Turkish country kit
FR-PCK8W-AG	German country kit	FR-PCK8W-BY	Japanese Kangi country kit
FR-PCK8W-AI	Italian country kit	FR-PCK8W-CA	Far East country kit
FR-PCK8W-AK	Swiss country kit	FR-PCK8W-CE	Philippine country kit
FR-PCK8W-AM	Swedish country kit	FR-PCK8W-CG	Vietnam country kit
FR-PCK8W-AN	Norwegian country kit	FR-PCK8W-CP	Thailand country kit
FR-PCK8W-AP	French country kit	FR-PCK8W-CQ	Iceland country kit
FR-PCK8W-AQ	Isobilingual Canadian country kit	FR-PCK8W-CS	Latin American Portuguese
FR-PCK8W-AS	Spanish country kit	FR-PCK8W-CT	Latin America Spanish country kit
FR-PCK8W-AT	Hebrew (Israel) country kit	FR-PCK8W-CV	PRC China country kit
FR-PCK8W-AV	Portuguese country kit	FR-PCK8W-CZ	Czechoslovakian country kit
FR-PCK8W-AZ	Australia country kit	FR-PCK8W-EC	European country kit
FR-PCK8W-BH	Greek country kit		

Step 7—Country Kits and Miscellaneous Options *(continued)*

Air Filter Option

PB8HA-CA Pedestal Air filter (installs in front of fixed storage disk area)

Pedestal to Rackmount Conversion Kit

PB8HA-BA DIGITAL Server 3300 Pedestal to Rackmount conversion kit. Includes bezel, slide rails and mounting hardware necessary to mount system in any cabinet equipped with industry-standard RETMA or METRIC rails. Rackmount power cords must be ordered separately.

Mouse

PCXLN-AD 3-button mouse (included with all country kits, order as spare or replacement)

Step 8—Cabinet Enclosure

- Selection of Rackmount enclosure and accessories is optional.
Note: Rackmount enclosures do not include power strips, they must be ordered separately.
- Rackmount systems and cabinet enclosures ship separately. System will **not** be integrated into cabinet prior to shipment.

Rackmount Enclosure

FR-PCSRA-RC 115 V Cabinet 81” high 42U

FR-PCSRA-RD 240 V Cabinet 81” high 42U

Power Strips

FR-H7600-AA Power Controller Strip 100-120 V, 5 Duplex 5-15R Outlets

FR-H7600-AB Power Controller Strip 200-240 V, 5 Duplex 6-15R Outlets

FR-H7600-CB Power Distribution Unit 200-240 V, 12 C13 EIA 320 Outlets

FR-H7600-DB Power Distribution Unit 200-240 V, 12 C13 EIA 320 Outlets

FR-H7600-EA Power Distribution Unit 100-120 V, 12 C13 IEC 320 Outlets

FR-H7600-EB Power Distribution Unit, 200-240 V, 12 C13 IEC 320 Outlets

Power Cord Kits

FR-PCTXH-JA U.S. 2.5 m power cord

FR-BN19A-2E UK/Ireland 2.5 m power cord

FR-BN19C-2E Central Europe 2.5 m power cord

FR-BN19K-2E Denmark 2.5 m power cord

FR-BN24T-2E Switzerland 2.5 m power cord

Power Access Options

Power access options kits include eight 2.5 meter power cords.

FR-PCSRA-DS North America Server Power Cord Kit

FR-PCSRA-DT Danish Server Power Cord Kit

FR-PCSRA-DU UK/Ireland Server Power Cord Kit

FR-PCSRA-DV Central Europe Server Power Cord Kit

FR-PCSRA-DW Israeli Server Power Cord Kit

FR-PCSRA-DX Swiss Server Power Cord Kit

FR-PCSRA-DY Australian Server Power Cord Kit

Step 8—Cabinet Enclosure (*continued*)

Mounting Options

FR-PCSRA-CT	FR-BA356 Mounting Kit
FR-PCSRA-EA	19-inch Steel mounting angles (17U)
FR-PCSRA-CS	19-inch Steel mounting angles (12U)
FR-PCSRA-DP	19-inch Steel mounting angles (4U)
FR-PCSRA-DZ	19-inch Steel mounting angles (2U)
FR-PCSRA-EP	Chassis support rails

Shelf Options

Select fixed monitor shelf or keyboard/mouse shelf to mount monitor and keyboard into FR-PCSRA-RA/RD cabinet.

FR-PCSRA-CI	Universal Shelf (1U)
FR-PCSRA-EN	Fixed monitor shelf
FR-PCSRA-EM	Keyboard/mouse shelf

Console Options

FR-PCSRA-CY	4 Port Desktop Console
FR-PCSRA-CZ	8 Port Desktop Console
FR-PCSRA-CW	Rackmounting Kit for 4 Port Desktop Console
FR-PCSRA-CX	Rackmounting Kit for 8 Port Desktop Console

Cables and Console Options

FR-PCSRA-DA	10 ft cable kit for connecting Server to Console
FR-PCSRA-DB	20 ft cable kit for connecting Server to Console
FR-PCSRA-DD	25 ft cable kit for connecting Server to Console
FR-PCSRA-DE	3 ft Daisy chain cable kit
FR-PCSRA-DF	50 ft Master Console Remote System
FR-PCSRA-DG	100 ft Master Console Remote System
FR-PCSRA-DH	150 ft Master Console Remote System
FR-PCSRA-DI	Virtual Keyboard and mouse

Keyboards and Mouse Kits

Keyboard and mouse kits include a 16" keyboard and a two-button mouse.

Select if Rackmounting keyboard into cabinet. Order keyboard/mouse shelf separately (FR-PCSRA-EM).

FR-PCR2K-AA	Keyboard and mouse—English
FR-PCR2K-AB	Keyboard and mouse—Belgium
FR-PCR2K-AE	Keyboard and mouse—UK
FR-PCR2K-AF	Keyboard and mouse—Finnish/Swedish
FR-PCR2K-AG	Keyboard and mouse—German/Austrian
FR-PCR2K-AI	Keyboard and mouse—Italian
FR-PCR2K-AK	Keyboard and mouse—Swiss
FR-PCR2K-AN	Keyboard and mouse—Norwegian
FR-PCR2K-AP	Keyboard and mouse—French
FR-PCR2K-AS	Keyboard and mouse—Spanish

Step 8—Cabinet Enclosure (*continued*)

Additional Rackmount Options

FR-PCSRA-DK	Side panel locks (2 pair)
FR-PCSRA-DQ	15U Blanking Panel Kit
FR-PCSRA-ER	Auxiliary cable management arm, RETMA
FR-PCSRA-DR	Rack Baying Kit

Step 9—Software

Selection of language-specific Windows NT Server 4.0 license/media (CD-ROM) kit is **mandatory** when ordering a Windows NT Package System.

Windows NT Server 4.0 license and media (CD-ROM) kit is **not** available from Compaq for Memory Packaged Systems and System Building Blocks. Order directly from Microsoft, or from an authorized Microsoft reseller.

Windows NT Server plus 10-client access license, media kits (CD-ROM)

Select for DIGITAL Server 3300 Windows NT Packaged Systems **only**

QB-23CAA-SB	Windows NT server license, media kit North American English
QB-23C8A-SB	Windows NT Server license, media kit International English
QB-23CPA-SB	Windows NT server license, media kit French
QB-23CGA-SB	Windows NT server license, media kit German
QB-23CSA-SB	Windows NT server license, media kit Spanish
QB-23CUA-SB	Windows NT server license, media kit Italian
QB-23CJA-SB	Windows NT server license, media kit Japanese
QB-23CMA-SB	Windows NT server license, media kit Swedish
QB-23CHA-SB	Windows NT server license, media kit Dutch
QB-23CVA-SB	Windows NT server license, media kit Brazilian/Portuguese
QB-23C4A-SB	Windows NT server license, media kit Korean
QB-23C3A-SB	Windows NT server license, media kit Taiwanese
QB-23C2A-SB	Windows NT server license, media kit PRC Chinese

Step 10—Hardware and Software Supplemental Support Services

Hardware—Americas and Asia Pacific only

- Systems include three-year hardware warranty, on-site with 5 x 9, 24-hour response time.
- Select optional Hardware Supplemental Support Services if required.
- Select optional Hardware Installation.

FM-3A4HR-36	5 x 9, 4-hour response time
FM-3A724-36	7 x 24, 4-hour response time
FM-3AINS-IN	Hardware Installation

Software—Americas and Asia Pacific Only

Bronze Software Support for Tier 3 (9 hours a day, 5 days a week, two hour callback)

The following part numbers provides Bronze software support for Tier 3 Windows NT server and layered products as identified on Supported Products List 1. Telephone and electronic communications provide access to DIGITAL Windows NT technical expertise 9 hours a day, 5 days a week for time period indicated. Includes two hour callback and product support provided by specialists.

FM-NMB53-12	1 year, 9 hours a day, 5 days a week, two hour callback Bronze Software Support for Tier 3 Windows NT Server and Layered Products
FM-NMB53-36	3 year, 9 hours a day, 5 days a week, two hour callback Bronze Software Support for Tier 3 Windows NT Server and Layered Products
FM-NMB53-60	5 year, 9 hours a day, 5 days a week, two hour callback Bronze Software Support for Tier 3 Windows NT Server and Layered Products

Extension for Bronze Software Support for Tier 3 (9 hours a day, 5 days a week, two hour callback)

Extends Bronze software support for Tier 3 Windows NT Hardware platforms. Support is extended for all supported products from the main system to each additional system. Telephone and electronic communications provide access to Digital Windows NT technical expertise 9 hours a day, 5 days a week for time period indicated. Main System Support is a prerequisite, see Bronze Software Support for Tier 3 above.

FM-NDB53-12	Extends 1 year Bronze Software Support (FM-NMB53-12) for 1 year
FM-NDB53-36	Extends 3 year Bronze Software Support (FM-NMB53-36) for 3 years
FM-NDB53-60	Extends 5 year Bronze Software Support (FM-NMB53-60) for 5 years

Bronze Software Support for Tier 3 (24 hours a day, 7 days a week, two hour callback)

Provides Bronze Software Support for Tier 3 Windows NT server and layered products as identified on Supported Products List 1. Telephone and electronic communications provide access to Digital Windows NT technical expertise 24 hours a day, 7 days a week for time period indicated. Includes two hour callback and product support provided by specialists.

FM-NMB73-12	1 year 24 hours a day, 7 days a week, two hour callback Bronze Software Support for Windows NT Server and Layered Products
FM-NMB73-36	3 year 24 hours a day, 7 days a week, two hour callback Bronze Software Support for Windows NT Server and Layered Products
FM-NMB73-60	5 year 24 hours a day, 7 days a week, two hour callback Bronze Software Support for Windows NT Server and Layered Products

Step 10—Hardware and Software Supplemental Support Services (*continued*)

Silver Software Support for Tier 3 (24 hours a day, 7 days a week, high priority product support)

Provides Silver Software Support for Tier 3 Windows NT server and layered products as identified on Supported Products List 1. Telephone and electronic communications provide: access to Digital Windows NT technical expertise 24 hours a day, 7 days a week; technical account management; higher queue priority; product support provided by specialists; one hour call back during business hours, two hours other times for time period indicated.

FM-NMS73-12	1 year 24 hours a day, 7 days a week, high priority product support Silver Software Support for Windows NT Server and layered products
FM-NMS73-36	3 year 24 hours a day, 7 days a week, high priority product support Silver Software Support for Windows NT Server and layered products
FM-NMS73-60	5 year 24 hours a day, 7 days a week, high priority product support Silver Software Support for Windows NT Server and layered products

Extension for Silver Software Support for Tier 3 (24 hours a day, 7 days a week, high priority product support)

Extends Silver Software Support for Tier 3 Windows NT Hardware platforms. Support is extended for all supported products from the main system to each additional system. Telephone and electronic communications provide access to Digital Windows NT technical expertise 24 hours a day, 7 days a week for time period indicated. Main System Support is a prerequisite, see Silver Software Support for Tier 3 above.

FM-NDS73-12	Extends 1 year Silver Software Support (FM-NMS73-12) for 1 year
FM-NDS73-36	Extends 3 year Silver Software Support (FM-NMS73-36) for 3 year
FM-NDS73-60	Extends 5 year Silver Software Support (FM-NMS73-60) for 5 year

Windows NT Incident Software Support

FM-NTICB-12	Provides 1 year of 10 incidents Bronze Software Support for Windows NT Server and layered products as identified on the Supported Products List 1. This allows up to 10 problems (incidents) to be submitted to Customer Support Center. An incident is considered "used" upon closure of specific support problem regardless of the number of telephone calls involved.
FM-NTICS-12	Provides 1 year of 75 incidents Silver Software Support for Windows NT Server and layered products as identified on the Supported Products List 1. This allows up to 75 problems (incidents) to be submitted to Customer Support Center. An incident is considered "used" upon closure of specific support problem regardless of the number of telephone calls involved.

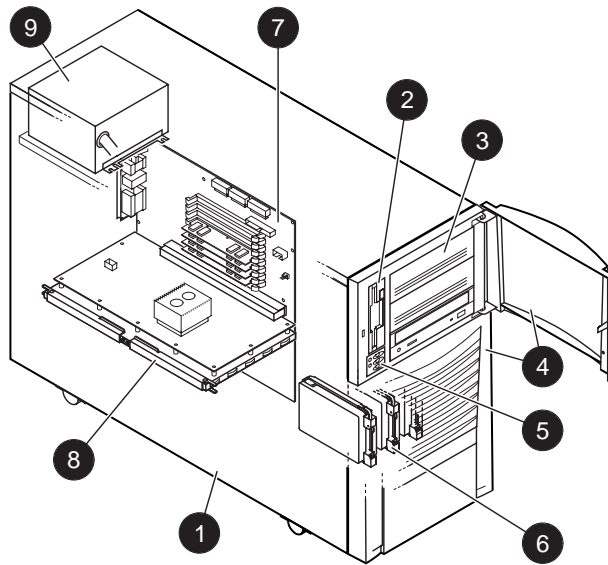
Installation Service

FM-SMWNT-IN	Provides up to two days of Windows NT start-up activities including installation and configuration of basic functionality of Windows NT Server software, configuration includes default network protocols, up to 10 existing networked clients, and 1 local printer; and a brief on-site orientation.
--------------------	---

Step 10a—Hardware and Software Supplemental Support Services (Europe only)

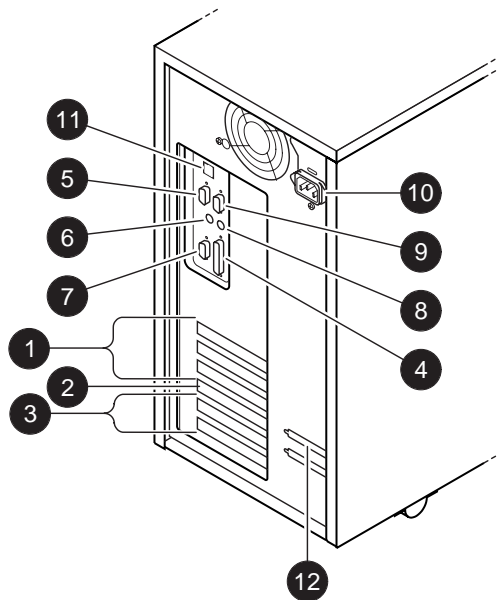
Europe does **not** have specific part numbers for Hardware and Software Supplemental Support Services. Prices are quoted based on world wide service reference pricing, contact MCS Sales in your country for information on Hardware and Software Supplemental Support Services.

DIGITAL Server 3300 System Diagram – Side view



- | | |
|---|----------------------|
| 1. Removable side cover of system enclosure | 6. Hard disk drives |
| 2. Floppy diskette drive | 7. System board |
| 3. Removable media drives | 8. CPU daughter card |
| 4. Lower and upper doors | 9. Power supply |
| 5. Control panel | |

DIGITAL Server 3300 System Diagram – Rear of Enclosure



- | | |
|-----------------------------|--|
| 1. Three 32-bit PCI slots | 7. VGA port |
| 2. One 64-bit PCI/EISA slot | 8. Keyboard port |
| 3. Two EISA slots | 9. Remote console modem port |
| 4. Parallel port | 10. Power inlet |
| 5. Serial port | 11. Serial port/terminal port (MMJ with data leads only) |
| 6. Mouse port | 12. SCSI breakouts |

DIGITAL Server 3300 Pedestal System Specifications

Shipping Dimension		
Height	18.5 in. (47 cm)	
Width	23.6 in. (60 cm)	
Depth	30.5 in. (77.5 cm)	
Weight	73 LB (33 kg) typical 82 LB (37 kg) maximum	
Installed Dimensions		
Height	17.1 in. (45 cm)	
Width	8.9 in. (22.6 cm)	
Depth	25.9 in. (65.8 cm)	
Weight	54 LB (24.5 kg) typical 62 LB (28 kg) maximum	
Clearances	Operating	Service
Front	29.5 in. (75 cm)	29.5 in. (75 cm)
Rear	5.9 in. (15 cm)	29.5 in. (75 cm)
Left side	None	29.5 in. (75 cm)
Right side	None	2 in. (5 cm)
Environmental		
Temperature	Operating ¹	10–40° C (50–104° F)
	Non-operating	Not tested
	Storage (60 days)	-40–66° C (-40–151° F)
	Rate of change	11° C/hr (20° F/hr)
Relative humidity	Operating	20–80%
	Non-operating	20–80%
	Storage (60 days)	10–95%
	Rate of change	20%/hr
Maximum wet bulb temperature	Operating	28° C (82° F)
	Storage (60 days)	46° C (115° F)
Minimum dew point temperature	Operating	2° C (36° F)
	Storage (60 days)	Not tested
Maximum heat dissipation	380 Watt	
	1297 Btu/hr	
Air flow and quality	Intake location	Front
	Exhaust location	Rear
	Particle size	N/A
	Concentration	N/A
Altitude	Operating ²	3097 m (10,000 ft)
	Non-operating	12190 m (40,000 ft)
Mechanical shock	Operating	7.5 G 10 ms
	Non-operating	20 G peak 30 ms
Vibration	Operating	10-500 Hz .1 G peak
Acoustics	Operating	LNPEc (BELs) 6.0 MAX per ISO 7779
Electrical—Power Supplies are universal 120/240 V AC		
Nominal ac voltage	100-120 V AC	220-240 V AC
Operating Voltage range	90-128 V AC	180-256 V AC
Power source phase	Single	Single
Nominal frequency	50/60 Hz	50/60 Hz
Frequency range	49/51/59-61 Hz	49-51/59-61 Hz
RMS current at nominal voltage (steady state)		
Maximum Power	7.0 Amps	3.0 Amps
Consumption (Watts)	380 Watts	
Power cord	Type	IEC 320 C13
	Length	190 cm (75 in.)
	US plug	NEMA 5-15

1. Maximum operating temperature at Sea Level. Reduce by 1 C (1.8 F) for each 600 m (2000 ft) above Sea Level.
2. Higher altitudes are possible if maximum operating temperature is reduced (see Temperature, above); other restrictions may apply, such as maximum permissible altitude for hard drives.

DIGITAL Server 3300 Pedestal System Specifications *(continued)*

Regulatory	
Agency approvals	UL Listed to UL1950 (3 rd edition) CSA Certified to CAN/CSA-C22.2 No. 950-M95 TUV EN 60950 GS marked CB Certification pending FCC (Class B) Part 15, Subpart B (CFR 54,1995) EMC Directive 89/336/EEC EN 55022:1994 Class B EN 50082-1 1992 Light Industrial CE Class B VCCI Class II ITE AS/NZS 3548:1992 (Class B)
Reviewed to	AS 3260:1993 Australian/New Zealand Standard EN 60 950: 1995 European Norm IEC 950

DIGITAL Server 3300 Rackmount System Specifications

Shipping Dimension	
Same as Pedestal	
Installed Dimensions	
Height	22 cm (8.6 in.) fits 8.75 in. [5U] standard EIA 310D
Width	standard EIA 310D (RETMA)
Depth	63.8 cm (25.1 in.)
Weight	24.5 kg (54 LB) typical 28 kg (62LB) maximum
Clearances	Service
Front	See requirements of specific cabinet
Rear	Slides forward 68.6 cm (27 in.)
Sides	then accessible from the top
Environmental	
Temperature	
Operating	10–35° C (50–95° F)
Non-operating	Not tested
Storage (60 days)	-40–66° C (-40–151° F) 11 c/hr (20 F/HR)
Relative humidity	
Operating	20–80%
Non-operating	20–80%
Storage (60 days)	10–95%
Rate of change	20%/hr
Air flow and quality	
Intake location	Front
Exhaust location	Rear
Electrical—Power Supplies are universal 120/240 V ac	
Same as Pedestal	
Regulatory	
Same as Pedestal	

Uninterruptable Power Supplies

Prestige 1250EXT

UPS offerings include EIA232 port for local or network monitoring and plug-in battery extension provisions to increase run time up to two hours. For complete protection, UPS products should be used with data line surge protectors and UPS monitoring software.

Solutions for Pedestal Systems

4N-AEABF-AA	Prestige 1250EXT, 1250 VA/900W, 1 phase, 50/60 Hz, 120V 6-foot cord with 5-15P plug, (4) 5-15R receptacle, 9 minutes battery at full UPS load.
4N-AEABF-BF	Prestige 1250EXT, 1250 VA/900W, 1 phase, 50/60 Hz, 200-240V in/out selectable. Uses system power cord for detachable IEC320 input connection at UPS. Includes (3) IEC320 10A output receptacles, (2) output jumpers with IEC320 connectors to system.
4N-AEABF-BB	Extension pack for 120V 60 Hz models, up to four packs at 30 minutes per pack supported
4N-AEABF-BD	Extension pack for 240V 50 Hz models, up to four packs at 30 minutes per pack supported
4N-AEAE0-PA	Hot-swap Power-Pass Module for 60 Hz UPS with (7) 5-15R Surge Protected outlets.
4N-AEAE0-PB	Hot-swap Power-Pass Module for 50 Hz UPS with (6) IEC320, 10A surge protected outlets.
4N-AEWAR-G1	Prestige 5 year on-site exchange warranty upgrade (US only).

Rackmount UPS

UPS Model	Application	Type	Receptacle module
4N-AEAAJ-CL³ 60Hz	Out of Cabinet UPS	6kVA Prestige ⁴	Included
4N-AEAAJ-CU 50Hz	Out of Cabinet UPS	6kVA Prestige ⁴	Hardwired

1. Factory installation must be specified at time of order. Up to two UPS systems, one UPS for up to 5 fully configured systems. Recommended UPS distribution option combines multiple UPS input plugs into a single L6-30P plug-in connection to simplify future UPS add-on. Order 4NAEAAH-FF 60 Hz; 4N-AEAAH-FG 50 Hz).
2. Includes six IEC receptacle strips for connection to IEC plugs in cabinet.
3. 208-120/208V shown; order 4N-AEAAJ-CT for 240-120/240V models
4. Optional mobile stacker with seismic mounting provision for 6kVA Prestige (4N-AEACH-HD)

4N-AEAAJ-CL	Prestige 6 kVA (4 kW), single phase, 60Hz, 208-120/208V, 6 ft. cord with L6-30P and (2) L6-30R, (8) 5-15R receptacle. Modular hot-swap design with 7 minute battery at full UPS load, extendible plug and play batteries and receptacle provisions. Substitute -CT for 240V 240/120V operation.
4N-AEAAJ-CU	Prestige 6 kVA (4 kW) 50Hz package, single phase, 50Hz, 200-240V in/out selectable, hardwired input/output.
4N-AEWAR-G3/G4	Prestige 5 year on-site exchange warranty upgrade for 4N-AEAAH-CM/CT. G4 provides on-site remedial and start-up service.

UPS Monitoring and Unattended Shutdown Software (for above UPS systems only) is included in ServerWORKS Kits shipping with all DIGITAL Servers. Order Cable Kit separately.

4N-ONLIN-NT	Cable Kit for Windows NT and DIGITAL UNIX
4N-ONLIS-FE	Cable Kit for OpenVMS

Network Management or multi system shutdown (via SNMP or ServerWORKS Manager) for DIGITAL UNIX and OpenVMS requires Network Adapter option.

60 Hz Applications	50 Hz Application	Network Adapter Option
4N-AEAE0-DB/DD	4N-AEAE0-DB/DD	Prestige 3 kVA RM, DB=Twisted pair; DD=ThinWire
4N-AEAE0-DA/DC	4N-AEAE0-DB/DD	Prestige 6 kVA and PUPS Plus UPS, DA/DB=Twisted pair; DC=ThinWire

Note: Multiple system shut down via OpenVMS requires multi-port hardware option (RN-JMIU4-AB). Ports can be daisy chained.