

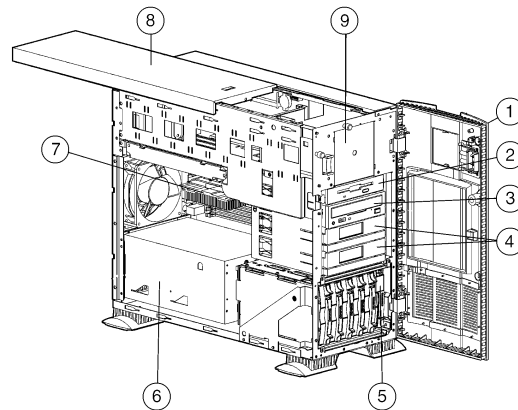
Overview

What's New

- Intel Pentium® III 1.0 GHz Processor (dual capability)

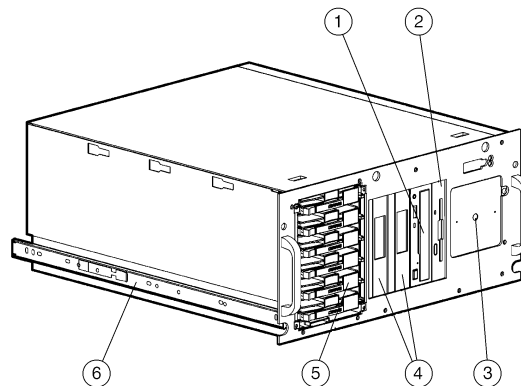
AT A GLANCE

- The ultimate workgroup server designed for demanding workgroups and remote/branch sites that need a powerful and highly available platform that is easy to use
- Dual Peer PCI Architecture
- ServerWorks LE 3.0 Chipset with 133-MHz Front Side Bus
- Intel Pentium III 1.0 GHz, 933 MHz, 866 MHz, 800 MHz, 733 MHz or 667 MHz processors
- 256-KB second level ECC cache standard (full speed)
- 128-MB PC133-MHz Registered ECC SDRAM memory expandable to 4 GB
- Six expansion PCI slots: Four 64-bit and two 32-bit
- Compaq NC3163 Fast Ethernet NIC (embedded) 10/100 WOL (Wake On LAN)
- Integrated Dual Channel Wide Ultra2 SCSI Adapter
- Wide Ultra2/Ultra3 Drive Cage standard
- Support for up to six 1-inch Wide Ultra2/Ultra3 SCSI hot plug drives
- 218.4-GB maximum internal storage (internal hot plug drive cage only)
- Internal mass storage capacity up to 291.2 GB (6 x 36.4 GB (HP) + 2 x 36.4 GB (NHP))
- Single thumb screw system board removal for fast and easy servicing
- Compaq Insight Manager, SmartStart, Integrated Remote Console (IRC) and Automatic Server Recovery-2 (ASR-2)
- Protected by Compaq Services, including a three-year, Next Business Day on-site, limited Global warranty and extended Pre-Failure Warranty which covers processors, memory and disk drives — Certain restrictions and exclusions apply. Consult the Compaq Customer Support Center at 1-800-345-1518 for details.



Tower Model

1. Front Bezel
2. 1.44-MB Diskette Drive
3. High speed IDE CD-ROM Drive
4. Two available Removable Media Bays
5. Wide Ultra2/Ultra3 Hot Plug Drive Cage (6 x 1")
6. Power Supply
7. Processor
8. Small access panel
9. Optional Integrated Management Display (IMD) slot



Rack Model

1. High Speed IDE CD-ROM Drive
2. 1.44-MB Diskette Drive
3. Optional Integrated Management Display (IMD) slot
4. Two available Removable Media Bays
5. Wide Ultra2/Ultra3 Hot Plug Drive Cage (6 x 1")
6. Side Rails

Standard Features

Processor <i>One of the following</i>	Intel Pentium III processor 1.0 GHz	
	Intel Pentium III processor 933 MHz	
	Intel Pentium III processor 866 MHz	
	Intel Pentium III processor 800 MHz	
	Intel Pentium III processor 733 MHz	
	Intel Pentium III processor 667 MHz	
Cache Memory	256-KB second level ECC cache (full speed)	
Upgradability	Upgradable to dual processing	
Memory	Standard	128 MB (PC133-MHz Registered ECC SDRAM DIMM memory)
	Maximum	4 GB
Network Controller	Compaq NC3163 Fast Ethernet NIC (embedded) 10/100 WOL (Wake On LAN)	
Expansion Slots	I/O (Total)	6
	64-bit PCI	4
	32-bit PCI	2
Storage Controller	Integrated Dual Channel Wide Ultra2 SCSI Adapter (upgradable with optional Integrated Smart Array Controller)	
Storage	Diskette Drives	1.44 MB
	CD-ROM	High Speed IDE CD-ROM Drive
	Hard Drives	None
	Maximum Internal Storage	218.4 GB (6 x 36.4 GB 1" internal hot plug drive cage only) 291.2 GB (6 x 36.4 GB 1" internal hot plug drive cage + 2 x 36.4 internal non-hot plug drives in the removable media bays)
Interfaces	Parallel	1
	Serial	2
	Pointing Device (Mouse)	1
	Graphics	1
	Hot Plug Keyboard	1
	External SCSI (for tape only)	1
	Network RJ-45	1
Graphics	Integrated ATI Rage IIC Video Controller with 4-MB Video Memory	
Form Factor	Tower or Rack (5U)	
Compaq Software	Compaq <i>Insight Manager</i> [™]	The comprehensive system management tool that monitors the operation of Compaq servers, workstations and clients
	Compaq <i>SmartStart</i> [™]	The server configuration and software integration tool from Compaq
	Array Configuration Utility (ACU) with Smart Array Controllers	Same easy to use yet powerful graphical user interface (GUI) configuration utility and easy to navigate wizards for all Smart Array Controllers

Standard Features

Manageability	Compaq Insight Manager Compaq Insight Manager XE Compaq Remote Insight Board (PCI) (optional) Compaq Remote Lights-Out Edition (optional) Automatic Server Recovery-2 (ASR-2) Integrated Remote Console (IRC) Hardware Remote Console Full Remote Server Reboot Capability Reset and Failure Sequence Replay Host Hardware Independent Operating System Independent Communication is out-of-band Integrated Management Display (IMD) (Optional) Integrated Management Log Server Health Logging Revision History Table Automatic Revision Tracking Drive Parameter Tracking (with Smart Array controller) Dynamic Sector Repairing (with Smart Array controller) Recovery Server Option (optional) Off-Line Backup Processor capability Pre-Failure Warranty (covers processors, hard drives and memory)
----------------------	-----------------------------------------------------------------------------------------------------------------------------------------------------------------------------------------------------------------------------------------------------------------------------------------------------------------------------------------------------------------------------------------------------------------------------------------------------------------------------------------------------------------------------------------------------------------------------------------------------------------------------------------------------------------------------------------------------------------------------------------------------------------------------------------------------------------------------------------------------------------------------

Security	Power-on password Keyboard password Diskette drive control Diskette boot control QuickLock, Network Server Mode Parallel and serial interface control Administrator's password Disk configuration lock
-----------------	-----------------------------------------------------------------------------------------------------------------------------------------------------------------------------------------------------------------------------

Power Supply	325 Watt-CE Mark Compliant Optional Hot Plug Redundant Power Supply Capability
---------------------	-----------------------------------------------------------------------------------

Required Cabling	For required cabling information, refer to the Compaq Web site at http://www.compaq.com/products/servers/proliantML370 Note: This Web site is available in English only.
-------------------------	------------------------------------------------------------------------------------------------------------------------------------------------------------------------------------------------------------------------------------------------

OS Support	Microsoft Windows NT Server Microsoft Windows 2000 Novell NetWare Novell NetWare Small Business Suite SCO OpenServer SCO UnixWare IBM OS/2 Warp Family LINUX (RedHat, S.U.S.E., TurboLinux Server, Caldera eServer) Sun Solaris Intel Platform Edition Banyan VINES
-------------------	------------------------------------------------------------------------------------------------------------------------------------------------------------------------------------------------------------------------------------------------------------------------------------------------

Note: For a more complete and up-to-date listing of supported OS's and versions, please visit our OS Support Matrix at: <ftp://ftp.compaq.com/pub/products/servers/os-support-matrix-310.pdf>

Note: For an up-to-date listing of the latest drivers available for the Compaq ProLiant ML370, please see: <http://www.compaq.com/support/files/server/us/index.html>.
Please note that these Web sites are available in English only.

Standard Features

Service and Support

Compaq Services provides a three-year, limited warranty, including Pre-Failure Warranty (coverage of hard drives, memory and processors) fully supported by a worldwide network of resellers and service providers and lifetime toll-free 7 x 24 hardware technical phone support. In addition, available service offerings include:

A full range of CarePaq packaged hardware and software services:

- Installation and start up
- Extended coverage hours and enhanced response times
- System management and performance services
- Availability and recovery services

Note: Certain restrictions and exclusions apply. Consult the Compaq Customer Support Center at 1-800-345-1518 for details. In Canada, consult the Product Information Center at 1-800-567-1616 for details.

Standard Features

ML370T01 P1000-256KB <i>193689-001</i>	Processor(s)	Intel Pentium III processor 1.0 GHz
	Cache Memory	256-KB second-level ECC cache
	Memory	128 MB (Standard) to 4 GB (Maximum) PC133-MHz Registered ECC SDRAM DIMM
	Network Controller	Compaq NC3163 Fast Ethernet NIC (embedded) 10/100 WOL
	Storage Controller	Integrated Dual Channel Wide Ultra2 SCSI Adapter
	Internal Storage	218.4 GB maximum hot plug 291.2 GB maximum hot plug & non-hot plug
	Optical Drive	High Speed IDE CD-ROM Drive
	Form Factor	Tower (5U)

ML370T01 P933-256KB <i>161058-001</i>	Processor(s)	Intel Pentium III processor 933 MHz
	Cache Memory	256-KB second-level ECC cache
	Memory	128 MB (Standard) to 4 GB (Maximum) PC133-MHz Registered ECC SDRAM DIMM
	Network Controller	Compaq NC3163 Fast Ethernet NIC (embedded) 10/100 WOL
	Storage Controller	Integrated Dual Channel Wide Ultra2 SCSI Adapter
	Internal Storage	218.4 GB maximum hot plug
	Optical Drive	High Speed IDE CD-ROM Drive
	Form Factor	Tower (5U)

ML370T01 P866-256KB <i>161060-001</i>	Processor(s)	Intel Pentium III processor 866 MHz
	Cache Memory	256-KB second-level ECC cache
	Memory	128 MB (Standard) to 4 GB (Maximum) PC133-MHz Registered ECC SDRAM DIMM
	Network Controller	Compaq NC3163 Fast Ethernet NIC (embedded) 10/100 WOL
	Storage Controller	Integrated Dual Channel Wide Ultra2 SCSI Adapter
	Internal Storage	218.4 GB maximum hot plug 291.2 GB maximum hot plug & non-hot plug
	Optical Drive	High Speed IDE CD-ROM Drive
	Form Factor	Tower (5U)

ML370T01 P800-256KB <i>160550-001</i>	Processor(s)	Intel Pentium III processor 800 MHz
	Cache Memory	256-KB second-level ECC cache
	Memory	128 MB (Standard) to 4 GB (Maximum) PC133-MHz Registered ECC SDRAM DIMM
	Network Controller	Compaq NC3163 Fast Ethernet NIC (embedded) 10/100 WOL
	Storage Controller	Integrated Dual Channel Wide Ultra2 SCSI Adapter
	Internal Storage	218.4 GB maximum hot plug 291.2 GB maximum hot plug & non-hot plug
	Optical Drive	High Speed IDE CD-ROM Drive
	Form Factor	Tower (5U)

ML370T01 P733-256KB <i>157831-001</i>	Processor(s)	Intel Pentium III processor 733 MHz
	Cache Memory	256-KB second-level ECC cache
	Memory	128 MB (Standard) to 4 GB (Maximum) PC133-MHz Registered ECC SDRAM DIMM
	Network Controller	Compaq NC3163 Fast Ethernet NIC (embedded) 10/100 WOL
	Storage Controller	Integrated Dual Channel Wide Ultra2 SCSI Adapter
	Internal Storage	218.4 GB maximum hot plug 291.2 GB maximum hot plug & non-hot plug
	Optical Drive	High Speed IDE CD-ROM Drive
	Form Factor	Tower (5U)

Standard Features

ML370T01 P667-256KB <i>102118-001</i>	Processor(s)	Intel Pentium III processor 667 MHz
	Cache Memory	256-KB second-level ECC cache
	Memory	128 MB (Standard) to 4 GB (Maximum) PC133-MHz Registered ECC SDRAM DIMM
	Network Controller	Compaq NC3163 Fast Ethernet NIC (embedded) 10/100 WOL
	Storage Controller	Integrated Dual Channel Wide Ultra2 SCSI Adapter
	Internal Storage	218.4 GB maximum hot plug 291.2 GB maximum hot plug & non-hot plug
	Optical Drive	High Speed IDE CD-ROM Drive
	Form Factor	Tower (5U)

ML370R01 P1000-256KB <i>193691-001</i>	Processor(s)	Intel Pentium III processor 1.0 GHz
	Cache Memory	256-KB second-level ECC cache
	Memory	128 MB (Standard) to 4 GB (Maximum) PC133-MHz Registered ECC SDRAM DIMM
	Network Controller	Compaq NC3163 Fast Ethernet NIC (embedded) 10/100 WOL
	Storage Controller	Integrated Dual Channel Wide Ultra2 SCSI Adapter
	Internal Storage	218.4 GB maximum hot plug 291.2 GB maximum hot plug & non-hot plug
	Optical Drive	High Speed IDE CD-ROM Drive
	Form Factor	Rack (5U)

ML370R01 P933-256KB <i>161059-001</i>	Processor(s)	Intel Pentium III processor 933 MHz
	Cache Memory	256-KB second-level ECC cache
	Memory	128 MB (Standard) to 4 GB (Maximum) PC133-MHz Registered ECC SDRAM DIMM
	Network Controller	Compaq NC3163 Fast Ethernet NIC (embedded) 10/100 WOL
	Storage Controller	Integrated Dual Channel Wide Ultra2 SCSI Adapter
	Internal Storage	218.4 GB maximum hot plug 291.2 GB maximum hot plug & non-hot plug
	Optical Drive	High Speed IDE CD-ROM Drive
	Form Factor	Rack (5U)

ML370R01 P866-256KB <i>161061-001</i>	Processor(s)	Intel Pentium III processor 866 MHz
	Cache Memory	256-KB second-level ECC cache
	Memory	128 MB (Standard) to 4 GB (Maximum) PC133-MHz Registered ECC SDRAM DIMM
	Network Controller	Compaq NC3163 Fast Ethernet NIC (embedded) 10/100 WOL
	Storage Controller	Integrated Dual Channel Wide Ultra2 SCSI Adapter
	Internal Storage	218.4 GB maximum hot plug 291.2 GB maximum hot plug & non-hot plug
	Optical Drive	High Speed IDE CD-ROM Drive
	Form Factor	Rack (5U)

ML370R01 P800-256KB <i>160551-001</i>	Processor(s)	Intel Pentium III processor 800 MHz
	Cache Memory	256-KB second-level ECC cache
	Memory	128 MB (Standard) to 4 GB (Maximum) PC133-MHz Registered ECC SDRAM DIMM
	Network Controller	Compaq NC3163 Fast Ethernet NIC (embedded) 10/100 WOL
	Storage Controller	Integrated Dual Channel Wide Ultra2 SCSI Adapter
	Internal Storage	218.4 GB maximum hot plug 291.2 GB maximum hot plug & non-hot plug
	Optical Drive	High Speed IDE CD-ROM Drive
	Form Factor	Rack (5U)

Standard Features

ML370R01 P733-256KB

157830-001

Processor(s)	Intel Pentium III processor 733 MHz
Cache Memory	256-KB second-level ECC cache
Memory	128 MB (Standard) to 4 GB (Maximum) PC133-MHz Registered ECC SDRAM DIMM
Network Controller	Compaq NC3163 Fast Ethernet NIC (embedded) 10/100 WOL
Storage Controller	Integrated Dual Channel Wide Ultra2 SCSI Adapter
Internal Storage	218.4 GB maximum hot plug 291.2 GB maximum hot plug & non-hot plug
Optical Drive	High Speed IDE CD-ROM Drive
Form Factor	Rack (5U)

ML370R01 P667-256KB

102119-001

Processor(s)	Intel Pentium III processor 667 MHz
Cache Memory	256-KB second-level ECC cache
Memory	128 MB (Standard) to 4 GB (Maximum) PC133-MHz Registered ECC SDRAM DIMM
Network Controller	Compaq NC3163 Fast Ethernet NIC (embedded) 10/100 WOL
Storage Controller	Integrated Dual Channel Wide Ultra2 SCSI Adapter
Internal Storage	218.4 GB maximum hot plug 291.2 GB maximum hot plug & non-hot plug
Optical Drive	High Speed IDE CD-ROM Drive
Form Factor	Rack (5U)

Options

ProLiant ML370 Unique Options	Integrated Smart Array Controller Module	128293-B21
	<i>Note: The Integrated Smart Array Controller Module (128293-B21) does not support LUN>0 devices.</i>	
	Compaq ML370 Tower to Rack Conversion Kit	157006-B21
Processor	Pentium III P1000-256K Processor Option Kit	187602-B21
	<i>Note: This processor option kit (PN 187602-B21) supports the ProLiant ML370, ProLiant DL380, and ProLiant CL380 servers.</i>	
	Pentium III P933- 256K Processor Option Kit	161086-B21
	<i>Note: This processor option kit (PN 161086-B21) supports the ProLiant ML370, ProLiant DL380, and ProLiant ML350 (1st generation) servers.</i>	
	Pentium III P866-256K Processor Option Kit	161085-B21
	<i>Note: This processor option kit (PN 161085-B21) supports the ProLiant ML370, ProLiant DL380, and ProLiant ML350 (1st generation) servers.</i>	
	Pentium III P800-256K Processor Option Kit	161084-B21
<i>Note: This processor option kit (PN 161084-B21) supports the ProLiant ML370, ProLiant DL380, and ProLiant ML350 (1st generation) servers.</i>		
	Pentium III P733-256K Processor Option Kit	161083-B21
<i>Note: This processor option kit (PN 161083-B21) supports the ProLiant ML370, ProLiant DL380, and ProLiant ML350 (1st generation) servers.</i>		
	Pentium III P667-256K Processor Option Kit	159756-B21
<i>Note: This processor option kit (PN 159756-B21) supports the ProLiant ML370 and the ProLiant ML350 (1st generation) servers.</i>		
Memory (DIMMs)	1024-MB PC133-MHz Registered ECC SDRAM DIMM Memory Option Kit	128280-B21
	512-MB PC133-MHz Registered ECC SDRAM DIMM Memory Option Kit	128279-B21
	256-MB PC133-MHz Registered ECC SDRAM DIMM Memory Option Kit	128278-B21
	128-MB PC133-MHz Registered ECC SDRAM DIMM Memory Option Kit	128277-B21
	64-MB PC133-MHz Registered ECC SDRAM DIMM Memory Option Kit	128276-B21
Optical Drives	12X DVD-ROM Drive Option Kit (Carbon)	217053-B21
Hard Drives	Wide Ultra3 SCSI – Universal Hot Plug	
	36.4-GB Wide Ultra3 SCSI 10,000 rpm Drive (1")	176496-B22
	18.2-GB Wide Ultra3 SCSI 10,000 rpm Drive (1")	142673-B22
	9.1-GB Wide Ultra3 SCSI 10,000 rpm Drive (1")	142671-B22
	18.2-GB Wide Ultra3 SCSI 15,000 rpm Drive (1")	188122-B22
	9.1-GB Wide Ultra3 SCSI 15,000 rpm Drive (1")	188120-B22
	Wide Ultra3 SCSI – Non-Hot Plug	
	36.4-GB Wide Ultra3 SCSI 10,000 rpm Drive (1.6")	176497-B21
	36.4-GB Wide Ultra3 SCSI 10,000 rpm Drive (1.6")	142676-B21
	18.2-GB Wide Ultra3 SCSI 10,000 rpm Drive (1")	142674-B21
	9.1-GB Wide Ultra3 SCSI 10,000 rpm Drive (1")	142672-B21
	<i>Note: Wide Ultra3 Drives require an optional Wide Ultra3 Controller to support Ultra3 transfer rates</i>	
	Wide Ultra2 SCSI – Universal Hot Plug	
	18.2-GB Wide Ultra2 SCSI Drive (1")	388144-B22
	9.1-GB Wide Ultra2 SCSI Drive (1")	123065-B22
	Wide Ultra2 SCSI – Non-Hot Plug	
	18.2-GB Wide Ultra2 SCSI Drive (1")	388143-B21
	9.1-GB Wide Ultra2 SCSI Drive (1")	349526-B21

Options

Storage Controllers	Integrated Smart Array Controller Module	128293-B21	
	<i>Note: The Integrated Smart Array Controller Module (128293-B21) does not support LUN>0 devices.</i>		
	Smart Array 431 Controller	127695-B21	
	Smart Array 3200 Controller	295643-B21	
	Smart Array 4200 Controller	295636-B21	
	Smart Array 5302/32 Controller	166207-B21	
	Smart Array 5302/64 Controller	124992-B21	
	Smart Array 5304/128 Controller	158939-B21	
	Ultra3 Channel Expansion Module for Smart Array 5300 Controller	153507-B21	
	64-bit/66-MHz Dual Channel Wide Ultra3 SCSI Adapter	129803-B21	
64-bit/66-MHz Single Channel Wide Ultra3 SCSI Adapter	154457-B21		
Communications	Compaq NC3123 Fast Ethernet NIC PCI 10/100 WOL	174830-B21	
	Compaq NC3122 Fast Ethernet NIC PCI Dual 10/100	317450-B21	
	Compaq NC3134 Fast Ethernet NIC 64 PCI Dual Port 10/100	138603-B21	
	Compaq NC3135 Fast Ethernet Module Dual 10/100 Upgrade Module for NC3134	138604-B21	
	Compaq NC6132 Gigabit Module 1000 SX Upgrade Module for NC3134 and NC3131	338456-B23	
	Compaq NC6133 Gigabit Module 1000LX Upgrade Module for NC3134 and NC3131	338456-B24	
	Compaq NC3133 Fast Ethernet Module 100FX Upgrade Module for NC3134 and NC3131	338456-B25	
	Compaq NC6134 Gigabit NIC 64 PCI 1000SX	174818-B21	
	Compaq NC4621 Token Ring NIC PCI 4/16 WOL	379956-B21	
	IBM 16/4 Token Ring PCI Special	133749-B21	
	<i>Note: Any NC31XX or NC61XX NIC can be used for redundancy with the embedded NC3163 Network Controller</i>		
	ServerNet PCI Adapter	309833-B22	
	4M Cable	309834-B23	
	30M Cable	309834-B22	
	ServerNet II PCI Adapter Card Kit	174736-B21	
	ServerNet II 12-Port Copper Serial Switch Kit	174739-001	
	ServerNet II 5-meter Copper Serial Cable Kit	174737-B21	
	ServerNet II 10-meter Copper Serial Cable Kit	174738-B22	
	Internal Tape Drives	<i>Note: In order to install certain tape drives internally, you may need to remove the rails that come standard on the drives and then re-insert the screws in the mounting holes. Mounting screws are shipped standard with server.</i>	
		Internal 20/40-GB DAT DDS-4 Tape Drive	157769-B21
Internal 4/8-GB DAT Drive (Opal)		295353-B22	
Internal 20/40-GB DLT Drive (Opal)		340743-B22	

Options

Internal Tape Drives <i>(continued)</i>	Internal AIT 50-GB Tape Drive	157766-B21	
	Internal AIT 35-GB, LVD	216884-B21	
	Internal AIT 35-GB Tape Drive	388504-B21	
	4-GB DDS-2 DAT Cassette	137611-001	
	DDS-4 Media (10 pack)	137611-001	
	12.0-GB DDS-3 DAT Cassette (10 Pack)	295515-B21	
	DAT Cleaning Cassette	242781-001	
	AIT 50-GB Data Cassette (5 pack)	152841-001	
	AIT 35-GB Data Cassette (5 pack)	402371-B21	
	AIT Cleaning Cassette	402374-B21	
	DLT IV Drive Cartridge (single)	295194-B21	
	DLT IV Drive Cartridge (7 pack)	295192-B21	
	DLT Cleaning Cartridge	199704-001	
	<p>Note: Please see the Compaq 20/40-GB DAT Drive, Compaq 12/24-GB DAT Drive, Compaq 20/40-GB DLT Drive, Compaq AIT 50-GB Tape Drive, Compaq AIT 35-GB LVD, or the Compaq AIT 35-GB Tape Drive QuickSpecs for a listing of the latest O/S Support details at: http://www.compaq.com/products/quickspecs/North_America/10233_na.html. Please note that this Web site is available.</p>		

Redundant Options	Compaq Hot Plug Redundant Power Supply Option Kit	480083-001
	Compaq Hot Plug Redundant Power Supply (48 VDC)	158395-B21

Management Options	Integrated Management Display Option (Opal)	127409-B21
	Compaq Remote Insight Lights-Out Edition	157866-001
	Compaq Remote Insight (PCI) LAN + NA Modem	294013-002
	Compaq Remote Insight Board (PCI) LAN/Serial without modem	294013-B24
	Compaq Remote Insight Board (PCI) LAN only	294013-B25

Monitors	TFT8020 18" Flat Panel Monitor (Opal)	326100-001
	TFT8020 18" Flat Panel Monitor (Carbon)	159244-001
	TFT8020 18" Flat Panel Monitor (Opal, bulked packed 2 monitor heads per box)	173610-001
	TFT5010 15" Flat Panel Monitor (Opal)	104741-001
	TFT5010 15" Flat Panel Monitor (Carbon)	154486-001
	TFT5000R Flat Panel Monitor	120207-001
	TFT5005 Flat Panel Monitor (Opal)	201431-001
	TFT5005 Flat Panel Monitor (Carbon)	201430-001
	P1210 Color Monitor	210290-xxx
	P910 Color Monitor	210254-xxx
	P710 Color Monitor	210189-xxx
	V1100 Color Monitor	386472-xxx
	V710 Color Monitor	187895-xxx
	V500 Color Monitor	325900-xxx
	S510 Color Monitor	168636-xxx
	S910 Color Monitor	138485-xxx
	S710 Color Monitor	152991-xxx

Note: Monitors larger than 17" may be too heavy for use in rack systems.

Options

CRT Code Key	Dash #	Description
	-001	NA Kit with US Power Cord
	-002	Carbon model with U.S. Power Cord
	-003	Touch Screen model with U.S. Power Cord
	-004	NAFTA model with US Power Cord (Made in Mexico)
	-005	NA Kit with Powered Speakers
	-006	GSA model with U.S. Power Cord
	-007	NH MPR model with U.S. power cord (Made in Mexico)
	-B24	TCO model without power cord (Digital Classic)

Note: All models above are NH

External Tape Drives	Description	Part Number
	External 20/40-GB DAT DDS-4 Tape Drive	157770-001
	External 40/80-GB DLT Drive	146197-B21
	External 20/40-GB DLT Drive (Opal)	340744-B22
	External AIT 50-GB Tape Drive	157767-001
	External AIT 35-GB, LVD	216885-001
	External AIT 35-GB Tape Drive	388507-001
	20/40-GB DAT DDS-4 8 Cassette Autoloader External	166505-001
	DDS-4 Media (10 pack)	152842-001
	20/40-GB DAT 8 Cassette Magazine with Media	171532-B21
	12-GB DDS-3 DAT Cassette (10 pack)	295515-B21
	DAT Cleaning Cassette	242781-001
	AIT 50-GB Data Cassette (5 pack)	152841-001
	AIT 35-GB Data Cassette (5 pack)	402371-B21
	AIT Cleaning Cassette	402374-B21
	DLT IV Drive Cartridge (single)	295194-B21
	DLT IV Drive Cartridge (7 pack)	295192-B21
	DLT Cleaning Cartridge	199704-001

Note: Please see the Compaq 20/40-GB DAT Drive, Compaq 40/80-GB DLT Drive, Compaq 20/40-GB DLT Drive, Compaq AIT 50-GB Tape Drive, Compaq AIT 35-GB LVD, Compaq AIT 35-GB Tape Drive, or the Compaq 20/40-GB DAT DDS-4 8 Cassette Autoloader QuickSpecs for a listing of the latest O/S Support details at: http://www.compaq.com/products/quickspecs/North_America/10233_na.html. Please note that this Web site is available in English only.

External Storage - Tower	Description	Part Number
	Compaq StorageWorks™ Enclosure Model 4214T (tower)	124875-001
	Compaq StorageWorks Enclosure Model 4314T (tower)	190210-001
	Note: The Compaq StorageWorks Enclosure 4200 and 4300 Family supports the Wide Ultra2/Ultra3 1" Hot Plug Hard Drives.	
	SCSI Storage Expander II	332609-001
	ProLiant Storage System Tower Model UE	348710-002
	ProLiant Storage System Tower Model U2	304110-B22
	Note: The Compaq ProLiant Storage System Models UE and U2 support the Wide-Ultra SCSI-3 Drives.	
	StorageWorks Enclosure 4200 Redundant Power Supply Option	119826-B21
	StorageWorks Enclosure 4200 Ultra2 Dual Bus I/O Module Option	119829-B21
	StorageWorks Enclosure 4200 Ultra3 Single Bus I/O Module Option	190212-B21
	StorageWorks Enclosure 4200 Ultra3 Dual Bus I/O Module Option	190213-B21
	StorageWorks Enclosure Tower to Rack Conversion Kit	150213-B21
	ProLiant Storage System/U Redundant Power Supply Option	224206-001

Options

External Storage – Rack	Compaq StorageWorks Enclosure Model 4214R (rack-mountable)	103381-001	
	Compaq StorageWorks Enclosure Model 4254R (rack-mountable)	138151-001	
	Compaq StorageWorks Enclosure Model 4314R (rack-mountable)	190209-001	
	Compaq StorageWorks Enclosure Model 4354R (rack-mountable)	190211-001	
	<i>Note: The Compaq StorageWorks Enclosure 4200 and 4300 Family support the Wide Ultra2/Ultra3 1" Hot Plug Hard Drives.</i>		
	Rack-Mountable SCSI Storage Expander II	332607-001	
	Rack-Mountable ProLiant Storage System Model UE	348700-001	
	Rack-Mountable ProLiant Storage System Model U2	304100-B22	
	<i>Note: The Compaq ProLiant Storage System Models UE and U2 support the Wide-Ultra SCSI-3 Drives.</i>		
	ProLiant Storage System/U Redundant Power Supply Option	224206-001	
	StorageWorks Enclosure 4200 Redundant Power Supply Option	119826-B21	
	StorageWorks Enclosure 4200 Dual Bus Module Option	119829-B21	
	StorageWorks Enclosure 4300 Ultra3 Single Bus I/O Module Option	190212-B21	
	StorageWorks Enclosure 4300 Ultra3 Dual Bus I/O Module Option	190213-B21	
	StorageWorks Enclosure Tower to Rack Conversion Kit	150213-B21	
	StorageWorks DLT Departmental Library	TL891DLX DLT Library, 1 drive Tower, LVD	157300-B21
		TL891DLX DLT Library, 2 drive Tower, LVD	157300-B22
TL891DLX DLT Library, 1 drive Rack, LVD		157305-B21	
TL891DLX DLT Library, 2 drive Rack, LVD		157305-B22	
TL891 DLT library unit, 1 drive Table Top, FWD		120875-B21	
TL891 DLT library unit, 2 drive Table Top, FWD		120876-B21	
TL891 DLT library unit, 2 drive Rack, FWD		120876-B22	
Add-On 35/70-GB Drive for TL891		120878-B21	
Add-On 40/80-GB Drive for TL891DLX, LVD		157303-B21	
Add-On 40/80-GB Drive for TL8x1HVD		157304-B21	
MiniLibrary Data Unit		128670-B21	
MiniLibrary Expansion Unit		120877-B21	
MiniLibrary Expansion Unit, LVD		157301-B21	
<i>Note: Available for TL891DLX DLT Library only.</i>			
StorageWorks Dual Channel Ultra-Wide Differential Library Host Bus Adapter		157299-B21	
<i>Note: The StorageWorks Dual Channel Ultra-Wide Differential Library Host Bus Adapter is required to support FWD-based tape libraries.</i>			
DLT IV Data Cartridges (single pack)		295194-B21	
DLT IV Data Cartridges (7 pack)		295192-B21	
DLT Cleaning Cartridge		199704-001	

Options

StorageWorks DLT Departmental Library <i>(continued)</i>	MiniLibrary pass-through Mechanism Kit	120880-B21	
	10 Slot Magazine	120881-B21	
	MiniLibrary Table Top to Rack Mount Conversion Kit, Metric/RETMA racks	120882-B21	
	MiniLibrary Table Top to Rack Mount Conversion Kit, Compaq racks	120883-B21	
<p>Note: Please see the TL891 Automated DLT Tape Library Solution, or the TL891DLX Automated DLT Tape Library Solution QuickSpecs for additional information, including Upgrade Kits, Accessories, ProLiant Connectivity Kits, Host Bus Adapters, SCSI Cable Kits, and Localization Kits and additional options needed for a complete solution at: http://www.compaq.com/products/quickspecs/North_America/10233_na.html. Please note that this Web site is available in English only.</p>			
Automated AIT Tape Library Solution	SSL2020 AIT Mini-Library 1 drive, 20 slot Table Top	175195-B21	
	SSL2020 AIT Mini-Library 2 drive, 20 slot Table Top	175195-B22	
	SSL2020 AIT Mini-Library 1 drive, 20 slot Rackmount	175196-B21	
	SSL2020 AIT Mini-Library 2 drive, 20 slot Rackmount	175196-B22	
	SSL2020 AIT Library Pass Thru with Transport	175312-B21	
	SSL2020 AIT Library Pass Thru Extender	175312-B22	
	AIT 50GB Drive Add-On LVD Drive for SSL2020 AIT Library	175197-B21	
	19 Slot Magazine for SSL2020 AIT Library	175198-B21	
	AIT 50-GB Data Cassette (5 pack)	152841-001	
	AIT Cleaning Cassette	402374-B21	
	Tabletop to Rackmount Upgrade Kit for SSL2020 AIT Library, Compaq Rack	175199-B21	
	Tabletop to Rackmount Upgrade Kit for SSL2020 AIT Library, RETMA racks	175199-B22	
	<p>Note: Please see the AIT Automated DLT Tape Library Solution QuickSpecs for additional information including Upgrade Kits, Accessories, and SCSI Cable Kits and additional options needed for a complete solution at: http://www.compaq.com/products/quickspecs/North_America/10233_na.html. Please note that this Web site is available in English only.</p>		
	Tape Array Solution	TA1000 AIT Tape Array, Rackmount	175005-001
AIT 50-GB Data Cassette (5 pack)		152841-001	
DLT Tape Array III Model 40/80-4		161140-001	
DLT Tape Array III Model 0		168047-001	
AIT Cleaning Cassette		402374-B21	
DLT Tape Array II Model 35/70-4 no software		295165-001	
DLT IV Data Cartridges (single pack)		295194-B21	
DLT IV Data Cartridges (7 pack)		295192-B21	
DLT Cleaning Cartridge		199704-001	
DLT Library Tabletop Conversion Kit		350384-B21	
Tape Array Cable Kit		242427-001	
<p>Note: Available for the DLT Tape Array and DLT Tape Array II only.</p>			
DLT Tape Array III Model 0, LVD Cable Kit		168048-B21	
<p>Note: Available for the DLT Tape Array III Model.</p> <p>Note: Please see the Compaq TA1000 AIT Tape Array, Compaq DLT Tape Array III, or the Compaq DLT Tape Array II QuickSpecs for additional information including Tape Drives, Cartridges, Controllers, and SCSI Cables and additional options needed for a complete solution at: http://www.compaq.com/products/quickspecs/North_America/10233_na.html. Please note that this Web site is available in English only.</p>			

Options

StorageWorks RAID Array 4100	StorageWorks Raid Array 4100 (rack)	146013-001
	Fibre Channel Storage Hub 12	295573-001
	Fibre Channel Storage Hub 7	234453-001
	Compaq Storage Hub 7 Universal Rack Mount Kit	136127-B21
	Fibre Channel Storage Hub – 12 Port with 41U/42U Bracket	295573-B22
	Compaq Storage Hub 12 Management Option	159262-B21
	64-bit/66-MHz Fibre Channel Host Adapter	120186-B21
	Fibre Channel Host Adapter Redundancy Kit	174681-B21
	StorageWorks Raid Array 4000 Redundant Array Controller	223187-B21
	StorageWorks Fibre Channel Arbitrated Loop Switch 8	177862-B21
	StorageWorks Fibre Channel Arbitrated Loop 3-Port Expansion Module	177863-B21
	GBIC-SW Connector Kit (two each)	234459-B21
	GBIC-LW Connector Kit (two each)	340412-B21
	Fibre Channel Connection Kit, 3 SW GBICS, 2 Cables	380579-B21
	Fibre Channel Connection Kit, 2 SW GBICS, 2 Cables	380596-B21
	Fibre Channel Short Wave GBIC	380561-B21
	Fibre Channel Long Wave GBIC	127508-B21
	2m Multi-Mode Fibre Channel Cable	234457-B21
	5m Multi-Mode Fibre Channel Cable	234457-B22
	15m Multi-Mode Fibre Channel Cable	234457-B23
	30m Multi-Mode Fibre Channel Cable	234457-B24
	50m Multi-Mode Fibre Channel Cable	234457-B25
	Raid Array 4000 Redundant Power Supply	224206-001
	Raid Array 4100 Rack to Tower Conversion Kit	154253-B21
	Fibre Channel Troubleshooting Kit	234468-B21

StorageWorks RAID Array 8000

Departmental Pedestal Models

RA8000 FC Single Controller (Opal)	380560-B22
RA8000 FC Dual Controller (Opal)	380550-B22
Expansion Cabinet 24 slot (Opal)	380570-B22

Rack Mountable Models

RA8000 FC Single Controller	380670-B21
RA8000 FC Dual Controller	380550-B21
Expansion Cabinet 24 slot	380570-B21

Note: Please see the Compaq StorageWorks Fibre Channel RAID Array 8000, RAID Array 7000, ESA12000 or ESA10000 QuickSpecs for FC Hubs, FC switches, platform software, host adapters, disks and options for complete solutions at:

http://www.compaq.com/products/quickspecs/North_America/10418_na.html.

Options

StorageWorks Enterprise Storage Array 12000 *ESA Building Blocks*

High-Capacity/General Business - Dual Controllers 48 slots, 60 Hz (Opal)	380600-002
High Bandwidth Quad controllers 48 slots, 60 Hz (Opal)	380620-002
Single Expansion Dual controllers 24 slots, 25U extra cabinet space, 60 Hz (Opal)	380580-002
Expansion enclosure 48 slots, 60 Hz (Opal)	380640-002

Note: Please see the Compaq StorageWorks Fibre Channel RAID Array 8000, RAID Array 7000, ESA12000 or ESA10000 QuickSpecs for FC Hubs, FC switches, platform software, host adapters, disks and options for complete solutions at:
http://www.compaq.com/products/quickspecs/North_America/10418_na.html.
 Please note that this Web site is available in English only.

StorageWorks Modular Array 6000

MA6000 D14	187738-B21
MA6000 S14	187739-B21

Note: Please see the Compaq StorageWorks MA6000 QuickSpecs for FC Hubs, FC switches, platform software, host adapters, disks and options for complete solutions at:
http://www.compaq.com/products/quickspecs/North_America/10418_na.html.
 Please note that this Web site is available in English only.

StorageWorks Modular Array 8000/Enterprise Modular Array 12000

EMA12000 D14 60Hz	175990-B21
EMA12000 S14 60Hz	175991-B21
MA8000 60Hz	175992-B21
EMA12000 Blue 60Hz	175993-B21

Note: Options include controller, solution kits, ACS. MA8000/EMA12000 includes controller shelf, drive shelves and cabinet. Packaging upgrade to RA8000/ESA12000.

Note: Please see the Compaq StorageWorks MA8000/EMA12000 QuickSpecs for FC Hubs, FC switches, platform software, host adapters, disks and options for complete solutions at:
http://www.compaq.com/products/quickspecs/North_America/10418_na.html.
 Please note that this Web site is available in English only.

StorageWorks Options

Fibre Channel Tape Controller – II	152975-001
Fibre Channel Storage Switch 16	380578-B21
Fibre Channel Storage Switch 8	380591-B21
Fibre Channel SAN Switch/8 with Fabric Operating Software	158222-B21
Fibre Channel SAN Switch/8 with Fabric Operating Software	158223-B21
F200 Clustering Kit	380357-B21

Options

Uninterruptible Power Systems - Tower	UPS Model T1000 (100 to 127 Volt/1000 Volt Amp)	242688-001
	UPS Model T1500 (100 to 127 Volt/1440 Volt Amp)	242688-003
	UPS Model T2000 (100 to 127 Volt/1920 Volt Amp)	242688-005
	UPS Model T2400h-NA (208 to 240 Volt/2300 Volt Amp)	242688-007
	Multi-Server UPS Card	123508-B21
	Scalable UPS Card	123509-B21
	SNMP-EN Adapter	347225-B21
	High to Low Voltage Transformer (250VA)	388643-B21

Uninterruptible Power Systems - Rack	Rack-Mountable UPS R1500 (100 to 127 VAC)	242704-001
	Compaq UPS R3000 XR (120V)	192186-001
	Compaq UPS R3000 XR (208V)	192186-002
	Rack-Mountable UPS R6000 (208V)	347207-001
	R6000 Extended Runtime Module	347224-B21
	Note: Available for the UPS R6000 Models only.	
	Extended Runtime Module, R3000 XR	192188-B21
	Note: Available for the UPS R3000 XR Models only.	
	Six-Port Card	192185-B21
	Note: Available for the new Rack-Mountable UPS "XR" Models only.	
	SNMP/Serial Port Card	192189-B21
	Note: Available for the new Rack-Mountable UPS "XR" Models only.	
	SNMP-EN Adapter	347225-B21
High to Low Voltage Transformer (250VA)	388643-B21	
Multi-Server UPS Card	123508-B21	
Scalable UPS Card	123509-B21	

Please see the [Compaq Rack Builder](#) for configuration assistance at www.compaq.com/products/storageworks/rack_accessories/rackbuilderpro2.html. Please note that this Web site is available in English only.

Options

Rack Conversion Kit	Compaq ML370 Tower to Rack Conversion Kit	157006-B21
Compaq Rack 9000 Series (Opal)	Compaq Rack 9142 (42U) – Pallet	120663-B21
	Compaq Rack 9142 (42U) – Shock Pallet	120663-B22
	Compaq Rack 9142 (42U) – Crated	120663-B23
	Compaq Rack 9136 (36U) – Pallet	120664-B21
	Compaq Rack 9136 (36U) – Shock Pallet	120664-B22
	Compaq Rack 9136 (36U) – Crated	120664-B23
	Compaq Rack 9122 (22U) – Pallet	120665-B21
	Compaq Rack 9122 (22U) – Shock Pallet	120665-B22
	Compaq Rack 9122 (22U) – Crated	120665-B23
	Note: -B22 part numbers are used to ship configured racks (by custom systems, VARs and Channels) -B23 part numbers are used for air shipments	
Rack Options for Compaq Rack 9000 Series	Baying/Coupling Kit	120669-B21
	Rack 9142 Side Panel	120670-B21
	Rack 9136 Side Panel	120671-B21
	Ballast Option Kit	120672-B21
	Stabilizer Option Kit	120673-B21
	Rack Rail Adapter Kit (25" depth)	120675-B21
	Fan (110 VAC) Roof Mount	120677-B21
	Fan (220 VAC) Roof Mount	120678-B21
	9142 Extension Kit	120679-B21
	Grounding Rack Option Kit	120682-B21
	Cable Management D-Rings Kit	168233-B21
	Rack Blanking Panels (1U)	189453-B21
	Rack Blanking Panels (2U)	189453-B22
	Rack Blanking Panels (3U)	189453-B23
	Rack Blanking Panels (4U)	189453-B24
	Rack Blanking Panels (5U)	189453-B25
	9136 Extension Kit	218216-B21
	9142 Short Rear Door	218217-B21
9136 Short Rear Door	218218-B21	
Rack Options for Compaq Rack 7000 Series	Rack Sidewall Kit (42U only)	165652-001
	Coupling Kit (42U only)	165664-001
	Stabilizing Feet (42U only)	189907-001
	High Air Flow Rack Door Insert for 7122	157847-B21
	High Air Flow Rack Door Insert for 7142	327281-B21
	High Air Flow Rack Door Insert for 7142 (6 pack)	327281-B22
	Compaq Rack Extension Kit for 7142	154392-B21

Options

Rack Options for Compaq Rack 7000 and 9000 Series	Sliding Shelf Kit	332564-B21
	Monitor Utility Shelf	303606-B21
	Rack Blanking Panel Kit for Rack 7000 series (Beach Gray)	169940-001
	Rack Blanking Panel Kit for Rack 9000 series (Opal)	169940-B21
	Compaq Networking Cable Management Kit	292407-B21
	Compaq Networking Recessed Rail Management Kit	292406-B21
	Compaq Power Distribution Unit-24A Low Voltage PDU	295363-001
	Compaq Power Distribution Unit-16A High Voltage PDU (cord attached)	295363-002
	Compaq Power Distribution Unit-16A High Voltage, 16A (detachable cord)	295363-B21
	Compaq Power Distribution Unit-24A High Voltage	295363-003
	Compaq Dual Input Power Distribution Unit-24A High Voltage	191186-001
	Server Console Switch 1 x 2 port (100 to 230 VAC)	120206-001
	Server Console Switch 1 x 4 port (100 to 230 VAC)	400336-001
	Server Console Switch 1 x 8 port (100 to 230 VAC)	400337-001
	Server Console Switch 2 x 8 port (100 to 230 VAC)	400338-001
	Server Console Switch 2 x 8 port (48 VDC)	400542-B21
	CPU to Server Console Cable, 12'	110936-B21
	CPU to Server Console Cable, 20'	110936-B22
	CPU to Server Console Cable, 40'	110936-B23
	CPU to Server Console Cable, 3'	110936-B24
	CPU to Server Console Cable, 6'	110936-B25
	CPU to Server Console Cable (Plenum Rated) 20'	149363-B21
	CPU to Server Console Cable (Plenum Rated) 40'	149364-B21
	Switch Box Connector Kit (115 V)	144007-001
	Switch Box Connector Kit (230 V)	144007-002
	Keyboard with Hot Keys and Trackball	158649-001
	Rack Internal Trackball Keyboard (Opal)	185152-406
	1U Rack Keyboard Drawer	338056-B21
	Keyboard/Monitor/Mouse extension cables	169989-001

Rack Options for Third Party Cabinet Racks	Depth Adjustable Fixed Rails	332558-B21
---------------------------------------------------	------------------------------	------------

CarePacs

Hardware Services 4-Hour On-site Service

4-Hour On-site Service, 5-Day x 9-Hour Coverage, 3 Years (2-5-2 Part Number for U.S.)	FM-LO4HR-36
4-Hour On-site Service 5-Day x 9-Hour Coverage, 3 Years (2-5-2 Part Number for Canada)	FP-LO4HR-36
4-Hour On-site Service, 5-Day x 9-Hour, 3 Years (6-3 Part Number for U.S.)	162658-002
4-Hour On-site Service, 5-Day x 9-Hour Coverage, 3 Years (6-3 Part Number for Canada)	162658-122
4-Hour On-site Service, 7-Day x 24-Hour Coverage, 3 Years (2-5-2 Part Number for U.S.)	FM-LO724-36
4-Hour On-site Service, 7-Day x 24-Hour Coverage, 3 Years (2-5-2 Part Number for Canada)	FP-LO724-36
4-Hour On-site Service, 7-Day x 24-Hour Coverage, 3 Years (6-3 Part Number for U.S.)	162657-002
4-Hour On-site Service, 7-Day x 24-Hour Coverage, 3 Years (6-3 Part Number for Canada)	162657-122

Options

CarePacs (continued)

Installation & Start-up Services

Hardware Installation (2-5-2 Part Number for U.S.)	FM-LOINS-IN
Hardware Installation (2-5-2 Part Number for Canada)	FP-LOINS-IN
Hardware Installation (6-3 Part Number for U.S.)	401792-002
Hardware Installation (6-3 Part Number for Canada)	401792-122
O/S & Hardware Installation (2-5-2 Part Number for U.S.) (Hardware installation plus two days O/S start-up activity (installation, configuration, network access & orientation))	FP-CXHSI-02
O/S & Hardware Installation (6-3 Part Number for U.S.) (Hardware installation plus two days O/S start-up activity (installation, configuration, network access & orientation))	160556-002

Business Solutions Priority Service Plan – Priority Level

5 x 9 4-hour H/W, 5 x 9 2-hour O/S (NT & NetWare), three years (2-5-2 Part Number for U.S.)	FP-CX102-36
5 x 9 4-hour H/W, 5 x 9 2-hour O/S (NT & NetWare), three years (2-5-2 Part Number for Canada)	FP-CZ102-36
5 x 9 4-hour H/W, 5 x 9 2-hour O/S (NT & NetWare), three years (6-3 Part Number for U.S.)	155324-002
5 x 9 4-hour H/W, 5 x 9 2-hour O/S (NT & NetWare), three years (6-3 Part Number for Canada)	155324-122

Business Solutions Priority Service Plan – Priority 24 Level

7 x 24 4-hour H/W, 7 x 24 2-hour O/S (NT & NetWare), three years (2-5-2 Part Number for U.S.)	FP-CX202-36
7 x 24 4-hour H/W, 7 x 24 2-hour O/S (NT & NetWare), three years (6-3 Part Number for U.S.)	155328-002

Business Solutions Priority Service Plan – Priority Plus Level

7 x 24 4-hour H/W, 7 x 24 1-hour O/S (NT & NetWare), SPS account review, Three Years (2-5-2 Part Number for U.S.)	FP-CX302-36
7 x 24 4-hour H/W, 7 x 24 1-hour O/S (NT & NetWare), SPS account review, Three Years (2-5-2 Part Number for Canada)	FP-CZ302-36
7 x 24 4-hour H/W, 7 x 24 1-hour O/S (NT & NetWare), SPS account review, Three Years (6-3 Part Number for U.S.)	155332-002
7 x 24 4-hour H/W, 7 x 24 1-hour O/S (NT & NetWare), SPS account review, Three Years (6-3 Part Number for Canada)	155332-122

Business Solutions Priority Service Plan – Priority Premier Level

7 x 24 2-hour H/W, 7 x 24 1-hour O/S (NT & NetWare), SPS Account Review, Proactive Management Review, named S/w rep, Three Years (2-5-2 Part Number for U.S.)	FP-CX502-36
7 x 24 2-hour H/W, 7 x 24 1-hour O/S (NT & NetWare), SPS Account Review, Proactive Management Review, named S/w rep, Three Years (2-5-2 Part Number for Canada)	FP-CZ502-36
7 x 24 2-hour H/W, 7 x 24 1-hour O/S (NT & NetWare), SPS Account Review, Proactive Management Review, named S/w rep, Three Years (6-3 Part Number for U.S.)	155336-002
7 x 24 2-hour H/W, 7 x 24 1-hour O/S (NT & NetWare), SPS Account Review, Proactive Management Review, named S/w rep, Three Years (6-3 Part Number for Canada)	155336-122

Options

Service Upgrades (CarePaks)
(continued)

Business Solutions Priority Service Plan – Priority Executive Premier Level

7 x 24 2-hour H/W, 7 x 24 30-minute O/S (NT & NetWare), SPS Account Review, Proactive Management Review, named S/w rep, Three Years (2-5-2 Part Number for U.S.)	FP-CX702-36
7 x 24 2-hour H/W, 7 x 24 30-minute O/S (NT & NetWare), SPS Account Review, Proactive Management Review, named S/w rep, Three Years (2-5-2 Part Number for Canada)	FP-CZ702-36
7 x 24 2-hour H/W, 7 x 24 30-minute O/S (NT & NetWare), SPS Account Review, Proactive Management Review, named S/w rep, Three Years (6-3 Part Number for U.S.)	155340-002
7 x 24 2-hour H/W, 7 x 24 30-minute O/S (NT & NetWare), SPS Account Review, Proactive Management Review, named S/w rep, Three Years (6-3 Part Number for Canada)	155340-122

Note: For more information, customer/resellers can contact www.Compaq.com/services. Please note that this Web site is available in English only.

Memory

Compaq ProLiant ML370 All Models

STANDARD MEMORY

One 128-MB PC133-MHz Registered ECC SDRAM DIMM comes installed (1 x 128-MB SDRAM DIMM)

STANDARD MEMORY PLUS OPTIONAL MEMORY

Up to 3200-MB of memory is available with the optional installation of PC133-MHz Registered ECC SDRAM DIMM memory kits.

STANDARD MEMORY REPLACED WITH OPTIONAL MEMORY

Up to 4096-MB of memory is available with the removal of the standard 128 MB of memory and the optional installation of PC133-MHz Registered ECC SDRAM DIMM memory kits.

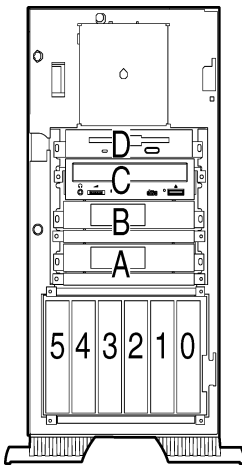
Note: This chart does not represent all possible memory configurations.

Memory		Slot			
		1	2	3	4
Standard	128 MB	128 MB	Empty	Empty	Empty
Optional	3200 MB	128 MB	1024 MB	1024 MB	1024 MB
Maximum	4096 MB	1024 MB	1024 MB	1024 MB	1024 MB

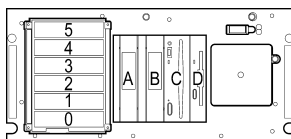
Following are memory options available from Compaq:

- 1024-MB PC133-MHz Registered ECC SDRAM DIMM Memory Option Kit 128280-B21
- 512-MB PC133-MHz Registered ECC SDRAM DIMM Memory Option Kit 128279-B21
- 256-MB PC133-MHz Registered ECC SDRAM DIMM Memory Option Kit 128278-B21
- 128-MB PC133-MHz Registered ECC SDRAM DIMM Memory Option Kit 128277-B21
- 64-MB PC133-MHz Registered ECC SDRAM DIMM Memory Option Kit 128276-B21

Storage



- 0 - 5 6 x 1" Hot Pluggable Hard Drive Bays
- A, B Two available half height bays
- C High Speed IDE CD-ROM Drive
- D 3.5" Diskette Drive



- 0 - 5 6 x 1" Wide Ultra2 Hot Pluggable Hard Drive Bays
- A, B Two available half height bays
- C High Speed IDE CD-ROM - drive
- D 3.5" Diskette Drive

DRIVE SUPPORT

	Quantity Supported	Position Supported	Controller
Removable Media			
1.44-MB Diskette Drive	Up to 1	D	Integrated
IDE CD-ROM Drive	Up to 2	B,C	Integrated IDE
DVD-ROM Drive Option Kit	Up to 2	A,B	Integrated IDE
Hard Drives			
<i>Wide Ultra2 Hot Pluggable Drives</i>			
1-inch 18.2-GB 9.1-GB	Up to 6	0-5	Integrated Dual Channel Wide Ultra2 SCSI Adapter Smart Array 3200 Controller Smart Array 4200 Controller Smart Array 5300 Controller Smart Array 431 Controller 64-bit/66-MHz Dual Channel Wide Ultra3 SCSI Adapter 64-bit/66-MHz Single Channel Wide Ultra3 SCSI Adapter Integrated Smart Array Controller Module (optional)
<i>Wide Ultra3 Hot Pluggable Drives</i>			
1-inch 36.4-GB 10,000 rpm 18.2-GB 10,000 rpm 9.1-GB 10,000 rpm 18.2-GB 15,000 rpm 9.1-GB 15,000 rpm	Up to 6	0-5	Integrated Dual Channel Wide Ultra2 SCSI Adapter Smart Array 431 Controller Smart Array 3200 Controller Smart Array 4200 Controller Smart Array 5300 Controller 64-bit/66MHz Dual Channel Wide Ultra3 SCSI Adapter 64-bit/66MHz Single Channel Wide Ultra3 SCSI Adapter
<i>Wide Ultra3 SCSI - Non-Hot Plug</i>			
1-inch 36.4-GB 10,000 rpm 18.2-GB 10,000 rpm 9.1-GB 10,000 rpm	Up to 3	A, B, C (Using the C position requires the removal of CD-ROM)	Integrated Dual Channel Wide Ultra2 SCSI Adapter Smart Array 3200 Controller Smart Array 4200 Controller Smart Array 5300 Controller Smart Array 431 Controller 64-bit/66-MHz Dual Channel Wide Ultra3 SCSI Adapter 64-bit/66-MHz Single Channel Wide Ultra3 SCSI Adapter Integrated Smart Array Controller Module (optional)
1.6-inch 36.4-GB 10,000 rpm			

Storage

DRIVE SUPPORT *(continued)*

External Storage

StorageWorks Enclosure 4200/4300 Family (supports Ultra2/Ultra3 drives only)	Up to 25	External	Smart Array 431 Controller Smart Array 3200 Controller Smart Array 4200 Controller Smart Array 5300 Controller 64-bit/66-MHz Dual Channel Wide Ultra3 SCSI Adapter 64-bit/66-MHz Single Channel Wide Ultra3 SCSI Adapter
ProLiant Storage System Models UE ProLiant Storage System Models U2 (Supports Wide-Ultra SCSI-3 drives only)	Up to 25 Up to 25	External	Smart Array 3200 Controller Smart Array 4200 Controller Smart Array 5300 Controller 64-bit/66-MHz Dual Channel Wide Ultra3 SCSI Adapter 64-bit/66-MHz Single Channel Wide Ultra3 SCSI Adapter
SCSI Storage Expander II	Up to 3	External	Smart Array 3200 Controller Smart Array 4200 Controller Smart Array 5300 Controller 64-bit/66-MHz Dual Channel Wide Ultra3 SCSI Adapter 64-bit/66-MHz Single Channel Wide Ultra3 SCSI Adapter
StorageWorks Raid Array 4100 Kit	Up to 25	External	Fibre Channel Host Adapter

Maximum Storage Capacity *(Hot Plug)*

Internal	218.4 GB (6 x 36.4-GB hot plug hard drives)
External	10.9 TB (25 ProLiant Storage Systems, each with 12 x 36.4-GB hard drives)
Total	11.138 TB

Maximum Storage Capacity – *(Hot Plug & Non-Hot Plug)*

Internal	291.2 GB (6 x 36.4-GB hot plug hard drives with 2 x 36.4 GB non-hot plug drives in removable media bays)
External	10.92 TB (25 ProLiant Storage Systems, each with 12 x 36.4-GB hard drives)
Total	11.211 TB

Maximum Storage Capacity – *(StorageWorks Enclosure SCSI Attached)*

Internal	218.4 GB (6 x 36.4-GB 1" hot plug hard drives)
External	12.74 TB hot plug SCSI storage (25 x (14 x 36.4-GB 1" Wide Ultra2/Ultra3))
Total	12.958 TB

Tape Drives

Note: For an up-to-date listing of the latest O/S Support details for each of the Tape Drives listed below, please see the following:

http://www.compaq.com/products/quickspecs/North_America/10233_na.html

Please note that this Web site is available in English only.

Internal 20/40-GB DAT DDS-4 Internal 12/24-GB DAT	Up to 2	A, B	Integrated Dual Channel Wide Ultra2 SCSI Adapter Compaq Wide-Ultra SCSI-3 Adapter Integrated Smart Array Controller Module (optional) 64-bit/66-MHz Dual Channel Wide Ultra3 SCSI Adapter 64-bit/66-MHz Single Channel Wide Ultra3 SCSI Adapter
20/40-GB DAT DDS-4 8 Cassette Autoloader	1	External	Integrated Dual Channel Wide Ultra2 SCSI Adapter Compaq Wide-Ultra SCSI-3 Adapter Integrated Smart Array Controller Module (optional) 64-bit/66-MHz Dual Channel Wide Ultra3 SCSI Adapter 64-bit/66-MHz Single Channel Wide Ultra3 SCSI Adapter
Internal 20/40-GB DLT	1	A + B (two bays)	Integrated Dual Channel Wide Ultra2 SCSI Adapter Compaq Wide-Ultra SCSI-3 Adapter 64-bit/66-MHz Dual Channel Wide Ultra3 SCSI Adapter 64-bit/66-MHz Single Channel Wide Ultra3 SCSI Adapter

Storage

DRIVE SUPPORT *(continued)*

Tape Drives *(continued)*

AIT 50-GB Internal	1	A, B	Integrated Dual Channel Wide Ultra2 SCSI Adapter
AIT 35-GB, LVD Internal			Compaq Wide-Ultra SCSI-3 Adapter
AIT 35-GB Internal		External	Integrated Smart Array Controller Module (optional)
AIT 50-GB External			64-bit/66-MHz Dual Channel Wide Ultra3 SCSI Adapter
AIT 35-GB, LVD External			64-bit/66-MHz Single Channel Wide Ultra3 SCSI Adapter
AIT 35-GB External			
DLT Tape Array II Model 35/70	1 to 4	External	Integrated Dual Channel Wide Ultra2 SCSI Adapter
			Compaq Wide-Ultra SCSI-3 Adapter
External 40/80-GB DLT	Up to 3	External	Integrated Dual Channel Wide Ultra2 SCSI Adapter
External 20/40-GB DLT			Compaq Wide-Ultra SCSI-3 Adapter
			64-bit/66-MHz Dual Channel Wide Ultra3 SCSI Adapter
			64-bit/66-MHz Single Channel Wide Ultra3 SCSI Adapter
TA1000 AIT Tape Array	Up to 1	External	Compaq Wide-Ultra SCSI-3 Adapter
			64-bit Dual Channel Wide Ultra2 SCSI Adapter
			64-bit/66-MHz Dual Channel Wide Ultra3 SCSI Adapter
SSL2020 AIT Mini-Library	Up to 5	External	64-bit Dual Channel Wide Ultra2 SCSI Adapter
			64-bit/66-MHz Dual Channel Wide Ultra3 SCSI Adapter
TL891DLX DLT Library	2 drives per SCSI channel	External	64-bit Dual Channel Wide Ultra2 SCSI Adapter
			64-bit/66-MHz Dual Channel Wide Ultra3 SCSI Adapter
TL891 DLT Library (1 - 2 Drive)	2 drives per SCSI channel	External	StorageWorks Dual Channel Ultra-Wide Differential Library HBA

Technical Specifications

System Unit Tower	Dimensions	18.63 x 10.63 x 22.67 in/47.32 x 27 x 57.58 cm		
	Weight	63 lbs/28.35 kg (without hard drives, no RPS)		
	Input Requirements	Range Line Voltage	90 to 132 VAC/180 to 265 VAC	
		Rated Input Voltage	100 to 120 VAC/220 to 240 VAC	
		Rated Input Frequency	50 to 60 Hz	
		Rated Input Current	6A (110 V) to 3A (220 V)	
		Rated Input Power	550W	
	BTU Rating	1,880 BTU/HR		
	SCSI Connectors	Three HD68 connectors (2 internal, 1 external) supporting Ultra2		
	Power Supply Output Power	Steady State Power	325W	
		Maximum Peak Power	350W	
	Temperature Range	Operating	50° to 93°F/10° to 35°C	
		Shipping	-22° to 122°F/-30° to 50°C	
	Relative Humidity (non-condensing)	Operating	8% to 90%	
		Non-operating	5% to 95%	
Maximum Wet Bulb Temperature	101.7°F/38.7°C			
Acoustic Noise	Idle (Fixed Disk Drives Spinning)			
	L_{WA} (BELS)	5.9		
	L_{pAm} (dBA)	41		
	Operating (Random Seeks to Fixed Disks)			
	L_{WA} (BELS)	6.0		
	L_{pAm} (dBA)	42		
System Unit Rack	Dimensions	8.67 x 19 x 22.75 in/22 x 48.34 x 55.9 cm		
	Weight	63 lbs/28.35 kg (without hard drives, no RPS)		
	Input Requirements	Range Line Voltage	90 to 132 VAC/180 to 265 VAC	
		Rated Input Voltage	100 to 120 VAC/220 to 240 VAC	
		Rated Input Frequency	50 to 60 Hz	
		Rated Input Current	6A (110 V) to 3A (220 V)	
		Rated Input Power	550W	
	BTU Rating	1,880 BTU/HR		
	SCSI Connectors	Three HD68 connectors (2 internal, 1 external) supporting Ultra2		
	Power Supply Output Power	Steady-State Power	325W	
		Maximum Peak Power	350W	

Technical Specifications

System Unit Rack <i>(continued)</i>	Temperature Range	Operating	50° to 93°F/10° to 35°C	
		Shipping	-22° to 122°F/-30° to 50°C	
	Relative Humidity (non-condensing)	Operating	8% to 90%	
		Non-operating	5% to 95%	
	Maximum Wet Bulb Temperature	101.7°F/38.7°C		
	Acoustic Noise	Idle (Fixed Disk Drives Spinning)		
		L _{wAd} (BELS)	5.9	
L _{pAm} (dBA)		41		
Operating (Random Seeks to Fixed Disks)				
	L _{wAd} (BELS)	6.0		
	L _{pAm} (dBA)	42		
Optional Redundant Power Supply	Input Requirements	Rated Input Voltage	100 to 240 VAC	
		Rated Input Frequency	50 to 60 Hz	
		Rated Input Current	8A (110 V) 4A (220 V)	
		Rated Input Power	728W	
	BTU Rating	2,490 BTU/HR		
	Power Supply Output Power	Steady State Power	400W	
		Maximum Peak Power	445W	
	Temperature Range	Operating	50° to 93°F/10° to 35°C	
		Shipping	-22° to 122°F/-30° to 50°C	
	Relative Humidity (non-condensing)	Operating	8% to 90%	
		Non-operating	5% to 95%	
	Maximum Wet Bulb Temperature	101.7°F/38.7°C		
	1.44-MB Diskette Drive	Diskette Size	3.5 in	
LED Indicators (front panel)		Green		
Read/Write Capacity per Diskette (high/low density)		1.44 MB/720 KB		
Drive Supported		One		
Drive Height		One-third		
Drive Rotation		300 rpm		
Transfer Rate (high/low)		500/250 Kb/s		
Bytes/Sector		512		
Sectors/Track (high/low)		18/9		
Tracks/Side (high/low)		80/80		
Access Times		Track-to-Track (high/low)	3/6 ms	
		Average (high/low)	94/169 ms	
		Settling Time	15 ms	
		Latency Average	100 ms	
Cylinders (high/low)		80/80		
Read/Write Heads	Two			

Technical Specifications

Hot Plug Wide Ultra2 SCSI Hard Drives	18.2 GB	Capacity	18209.3 MB	
	388144-B22	Height	1 in/25.4 mm	
		Width	3.5 in/88.9 mm	
		Interface	Wide Ultra2 SCSI	
		Transfer Rate Synchronous (Maximum)	80 MB/s	
		Seek Time (typical reads, including settling)	Single Track	0.8 ms
			Average	7.0 ms
			Full-Stroke	15 ms
			Rotational Speed	7200 rpm
		Physical Configuration	Bytes/Sector	512
			Logical Blocks	35,565,080
	Operating Temperature	50° to 95°F/10° to 35°C		
	9.1 GB	Capacity	9100.0 MB	
	123065-B22	Height	1 in/25.4 mm	
		Width	3.5 in/88.9 mm	
		Interface	Wide Ultra2 SCSI	
		Transfer Rate Synchronous (Maximum)	80 MB/s	
	Seek Time (typical reads, including settling)	Single Track	0.8 ms	
		Average	7.0 ms	
		Full-Stroke	15 ms	
		Rotational Speed	7200 rpm	
	Physical Configuration	Bytes/Sector	512	
		Logical Blocks	17,773,524	
	Operating Temperature	50° to 95°F/10° to 35°C		
Non-Hot Plug Wide Ultra2 SCSI Hard Drives	18.2 GB	Capacity	18209.3 MB	
	388143-B21	Height	1 in/25.4 mm	
		Width	3.5 in/88.9 mm	
		Interface	Wide Ultra2 SCSI	
		Transfer Rate Synchronous (Maximum)	80 MB/s	
		Seek Time (typical reads, including settling)	Single Track	0.8 ms
			Average	5.2 ms
			Full-Stroke	12 ms
			Rotational Speed	7200 rpm
		Physical Configuration	Bytes/Sector	512
			Logical Blocks	35,565,080
	Operating Temperature	50° to 95°F/10° to 35°C		

Technical Specifications

Non-Hot Plug Wide Ultra2 SCSI Hard Drives <i>(continued)</i>	9.1 GB	Capacity	9100.0 MB	
	349526-B21	Height	1 in/25.4 mm	
		Width	3.5 in/88.9 mm	
		Interface	Wide Ultra2 SCSI	
		Transfer Rate Synchronous (Maximum)	80 MB/s	
		Seek Time (typical reads, including settling)	Single Track	0.8 ms
			Average	7.1 ms
			Full-Stroke	16 ms
		Physical Configuration	Rotational Speed	7200 rpm
			Bytes/Sector	512
		Logical Blocks	17,773,524	
	Operating Temperature	50° to 95°F/10° to 35°C		
Hot Plug Wide Ultra3 SCSI Hard Drives	36.4 GB 10K	Capacity	36400 MB	
	176496-B22	Height	1 in/25.4 mm	
		Width	3.5 in/88.9 mm	
		Interface	Wide Ultra3 SCSI	
		Transfer Rate Synchronous (Maximum)	160 MB/s	
		Seek Time (typical reads, including settling)	Single Track	0.8 ms
			Average	5.0 ms
			Full-Stroke	12 ms
		Physical Configuration	Rotational Speed	10,000 rpm
			Bytes/Sector	512
		Logical Blocks	10,000 rpm	
	Operating Temperature	50° to 95°F/10° to 35°C		
	18.2 GB 10K	Capacity	18209.3 MB	
	142673-B22	Height	1 in/25.4 mm	
		Width	3.5 in/88.9 mm	
		Interface	Wide Ultra3 SCSI	
		Transfer Rate Synchronous (Maximum)	160 MB/s	
	Seek Time (typical reads, including settling)	Single Track	0.8 ms	
		Average	5.2 ms	
		Full-Stroke	12 ms	
	Physical Configuration	Rotational Speed	10,000 rpm	
		Bytes/Sector	512	
		Logical Blocks	35,565,080	
	Operating Temperature	50° to 95°F/10° to 35°C		

Technical Specifications

Hot Plug Wide Ultra3 SCSI Hard Drives <i>(continued)</i>	9.1 GB 10K	Capacity	9100.0 MB	
	142671-B22	Height	1 in/25.4 mm	
		Width	3.5 in/88.9 mm	
		Interface	Wide Ultra3 SCSI	
		Transfer Rate Synchronous (Maximum)	160 MB/s	
		Seek Time (typical reads, including settling)	Single Track	0.8 ms
			Average	5.0 ms
			Full-Stroke	12 ms
		Physical Configuration	Rotational Speed	10,000 rpm
			Bytes/Sector	512
		Logical Blocks	17,773,524	
	Operating Temperature	50° to 95°F/10° to 35°C		
	18.2 GB 15K	Capacity	18209.3 MB	
	188122-B22	Height	1 in/25.4 mm	
		Width	3.5 in/88.9 mm	
		Interface	Wide Ultra3 SCSI	
		Transfer Rate Synchronous (Maximum)	160 MB/s	
	Seek Time (typical reads, including settling)	Single Track	0.8 ms	
		Average	5.0 ms	
		Full-Stroke	12 ms	
	Physical Configuration	Rotational Speed	10,000 rpm	
		Bytes/Sector	512	
		Logical Blocks	35,565,080	
	Operating Temperature	50° to 95°F/10° to 35°C		
	9.1 GB 15K	Capacity	9100.0 MB	
	188120-B22	Height	1 in/25.4 mm	
		Width	3.5 in/88.9 mm	
		Interface	Wide Ultra3 SCSI	
		Transfer Rate Synchronous (Maximum)	160 MB/s	
	Seek Time (typical reads, including settling)	Single Track	0.8 ms	
		Average	5.0 ms	
		Full-Stroke	12 ms	
	Physical Configuration	Rotational Speed	10,000 rpm	
		Logical Blocks	17,773,524	
	Operating Temperature	50° to 95°F/10° to 35°C		

Technical Specifications

Non-Hot Plug Wide Ultra3 SCSI Hard Drives	36.4 GB 10K	Capacity	36419.5 MB	
	176497-B21	Height	1 in/25.4 mm	
		Width	3.5 in/88.9 mm	
		Interface	Wide Ultra3 SCSI	
		Transfer Rate Synchronous (Maximum)	160 MB/s	
		Seek Time (typical reads, including settling)	Single Track	0.8 ms
			Average	5.7 ms
			Full-Stroke	13 ms
		Physical Configuration	Rotational Speed	10,000 rpm
			Bytes/Sector	512
		Logical Blocks	71,132,000	
	Operating Temperature	50° to 95°F/10° to 35°C		

	36.4 GB 10K	Capacity	36419.5 MB	
	142676-B21	Height	1.6 in/40.6 mm	
		Width	3.5 in/88.9 mm	
		Interface	Wide Ultra3 SCSI	
		Transfer Rate Synchronous (Maximum)	160 MB/s	
		Seek Time (typical reads, including settling)	Single Track	0.8 ms
			Average	5.7 ms
			Full-Stroke	13 ms
		Physical Configuration	Rotational Speed	10,000 rpm
			Bytes/Sector	512
		Logical Blocks	71,132,000	
	Operating Temperature	50° to 95°F/10° to 35°C		

	18.2 GB 10K	Capacity	18209.3 MB	
	142674-B21	Height	1 in/25.4 mm	
		Width	3.5 in/88.9 mm	
		Interface	Wide Ultra3 SCSI	
		Transfer Rate Synchronous (Maximum)	160 MB/s	
		Seek Time (typical reads, including settling)	Single Track	0.8 ms
			Average	5.5 ms
			Full-Stroke	12 ms
		Physical Configuration	Rotational Speed	10,000 rpm
			Bytes/Sector	512
		Logical Blocks	35,565,080	
	Operating Temperature	50° to 95°F/10° to 35°C		

Technical Specifications

Non-Hot Plug Wide Ultra3 SCSI Hard Drives <i>(continued)</i>	9.1 GB 10K	Capacity	9100.0 MB	
	142672-B21	Height	1 in/25.4 mm	
		Width	3.5 in/88.9 mm	
		Interface	Wide Ultra3 SCSI	
		Transfer Rate Synchronous (Maximum)	160 MB/s	
		Seek Time (typical reads, including settling)	Single Track	0.8 ms
			Average	5.0 ms
			Full-Stroke	12 ms
		Physical Configuration	Rotational Speed	10,000 rpm
			Bytes/Sector	512
		Logical Blocks	17,773,524	
	Operating Temperature	50° to 95°F/10° to 35°C		

40X Max IDE CD-ROM Drive	Disk	Applicable Disk	CD-ROM, CD-XA, CD-DA (Mode 1, Mode 2, Form 1 and 2) Photo CD (Single and Multi-session) Mixed Mode (Audio and Data combined) CD-R	
		Capacity	540 MB (Mode 1, 12 cm) 650 MB (Mode 2, 12 cm)	
	Block Size	Mode 1	2,048 bytes	
		Mode 2	2,340 bytes, 2,336 bytes	
		CD-DA	2,352 bytes	
		CD-XA	2,328 bytes	
	Interface	IDE (ATAPI)		
	Access Times (typical)	Random	100 ms	
		Full-Stroke	150 ms	
	Audio Output Level	Line-Out	0.7 VRMS at 47 kOhms	
Data Transfer Rate	Sustained	150 KB/s (1X audio)		
	Burst	16.67 Mbytes/sec		
Cache Buffer	128 KB			
Start-up Time (typical)	< 7 seconds			
Stop Time	< 4 seconds			
Laser Parameters	Type	Semiconductor Laser GaAlAs		
	Wave Length	780 ± 25 nm		
Operating Conditions	Temperature	41° to 113°F/5° to 45°C		
	Humidity	10% to 80%		
Dimensions	(HxWxD, maximum)	1.7 x 5.85 x 8.11 in/4.29 x 150 x 208 cm		
	Weight	2.09 lbs/0.95 kg		

Technical Specifications

32X Max IDE CD-ROM Drive	Disk	Applicable Disk	CD-ROM (Mode 1 and 2) CD-DA, CD-XA (Mode 2, Form 1 and 2) Photo CD (Single and Multi-session) Mixed Mode (Audio and Data combined) CD-Recordable CD-Rewritable
		Capacity	540 MB (Mode 1, 12 cm) 650 MB (Mode 2, 12 cm)
	Block Size	Mode 1 Mode 2 CD-DA CD-XA	2,048 2,340, 2,336, 2,352 bytes 2,328 bytes
	Access Times (typical)	Random Full-Stroke	<100 ms <150 ms
	Diameter	4.7 in, 3.15 in/12 cm, 8 cm	
	Thickness	0.05 in/1.2 mm	
	Track Pitch	1.6 μ m	
	Audio Output Level	Line-Out Headphone	0.7 VRMS at 47 kOhms 0.6 VRMS at 32 Ohms (maximum volume)
	Data Transfer Rate	Sustained Burst	150 KB/s (sustained 1X) 2100 to 4800 KB/s (14X to 32X)
	Cache Buffer	128 KB	
	Start-up Time (typical)	< 7 seconds; < 30 seconds (multi-session)	
	Stop Time	< 4 seconds; < 30 seconds (multi-session)	
	Laser Parameters	Type Wave Length Divergence Angle Output Power	Semiconductor Laser GaAlAs 780 \pm 25 nm 53.5° \pm 1.5° 0.14mW
	Operating Conditions	Temperature Humidity	41° to 118°F/5° to 45°C 10% to 80%
	Dimensions	(HxWxD, maximum) Weight	1.88 x 5.85 x 8.11 in/42.9 x 15 x 208 cm 2.09 lbs/0.95 kg

Technical Specifications

Integrated Dual Channel Wide Ultra2 SCSI Adapter	Drives Supported	Up to 15 SCSI devices per channel	
	Data Transfer Method	32-bit PCI bus-master	
	SCSI Channel Transfer Rate	80 MB/s per channel	
	Maximum Transfer Rate per PCI Bus (peak)	133 MB/s	
	SCSI Termination	Active Termination	
	SCSI Connectors	1 external, 2 internal (68-pin)	
Compaq NC3163 Fast Ethernet NIC Embedded 10/100 WOL (Wake On LAN)	Network Interface	10Base-T/100Base-TX	
	Compatibility	IEEE 802.3/802.3u compliant	
	Data Transfer Method	32-bit bus-master PCI	
	Network Transfer Rate		
		10Base-T (Half-Duplex)	10 Mb/s
		10Base-T (Full-Duplex)	20 Mb/s
		100Base-TX (Half-Duplex)	100 Mb/s
		100Base-TX (Full-Duplex)	200 Mb/s
	Connector	RJ-45	
	Cable Support		
	10Base-T	Categories 3, 4 or 5 UTP; up to 328 feet (100 meters)	
	100Base-TX	Category 5 UTP; up to 328 feet (100 meters)	
Video Controller	Controller Chip	ATI RAGE IIC PCI	
	Video DRAM	4 MB Video SGRAM	
	Data Transfer Method	32-bit PCI	
	Support Resolution	Supported Color Depths:	
		640 x 480	16.7M, 64K, 256, 16
		800 x 600	16.7M, 64K, 256, 16
		1024 x 768	16.7M, 64K, 256, 16
		1152 x 864	16.7M, 64K, 256, 16
	1280 x 1024	16.7M, 64K, 256, 16	
	1600 x 1200	64K, 256, 16	
Connector	VGA		

Technical Specifications

Integrated Smart Array Controller (Optional)	Data Compatible with all Smart Array Controllers	Yes	
	Instant Upgrades to other Smart Array Controllers	Yes	
	Consistent Software Manageability Tools	Yes	
	PCI Bus	32 bit, 33 MHz (integrated on server board)	
	PCI Peak Data Transfer Rate	133 MB/s	
	SCSI Protocols Supported	Ultra2, Wide-Ultra	
	SCSI Peak Data Transfer Rate	80 MB/s	
	<i>Note: For ProLiant servers having TWO internal drive bays on separate SCSI ports: SCSI Peak Data Transfer Rate is 160 MB/s total; 80 MB/s per channel and Channels is 2.</i>		
	Channels	1	
	<i>Note: For ProLiant servers having TWO internal drive bays on separate SCSI ports: SCSI Peak Data Transfer Rate is 160 MB/s total; 80 MB/s per channel and Channels is 2.</i>		
	SCSI Ports (external/internal)	0/1	
	<i>Note: For ProLiant servers having TWO internal drive bays on separate SCSI ports: SCSI Peak Data Transfer Rate is 160 MB/s total; 80 MB/s per channel and Channels is 2.</i>		
	Drives Supported (maximum)	Maximum = total number of internal drives	
	<i>Note: Maximum is the total number of internal drives on each specific ProLiant server.</i>		
	Cache	8-MB read only	
	RAID Support	0, 1, 0+1, 5	
	Logical Drives (maximum)	32	
	Online Configuration	Yes	
	Online Capacity Expansion	Yes	
	Logical Drive Capacity Extension	Yes	
	Online Stripe Size Migration	Yes	
	Online RAID Level Migration	Yes	
	Online Spare Support	Yes	
Automatic Data Recovery	Yes		
Drive Roaming	Yes		
Redundant Controllers	No		
Smart Array 431 Controller	Data Compatible with all Smart Array Controllers	Yes	
	Instant Upgrades to other Smart Array Controllers	Yes	
	Consistent Software Manageability Tools	Yes	
	PCI Bus	64-bit, 66MHz	
	PCI Peak Data Transfer Rate	533 MB/s	
	SCSI Protocols Supported	Ultra3, Ultra2, Wide-Ultra	
	SCSI Peak Data Transfer Rate	160 MB/s	
	Channels	1	
	SCSI Ports (external/internal)	1/1	
	Drives Supported (maximum)	14	
	<i>Note: Drives Supported (maximum) is based on use of Compaq StorageWorks Enclosure 4200/4300 family (14 hard disk drive enclosure).</i>		
	Cache	16-MB cache engine	
	RAID Support	0, 1, 0+1, 5	
	Logical Drives (maximum)	32	
	Online Configuration	Yes	
	Online Capacity Expansion	Yes	
	Logical Drive Capacity Extension	Yes	
	Online Stripe Size Migration	Yes	
	Online RAID Level Migration	Yes	
	Online Spare Support	Yes	
	Automatic Data Recovery	Yes	
	Drive Roaming	Yes	
	Redundant Controllers	No	

Technical Specifications

Smart Array 5300 Controller	Data Compatible with all Smart Array Controllers	Yes
	Instant Upgrades to other Smart Array Controllers	Yes
	Consistent Software Manageability Tools	Yes
	PCI Bus	64-bit, 66MHz
	PCI Peak Data Transfer Rate	533 MB/s
	SCSI Protocols Supported	Ultra3, Ultra2, Wide-Ultra
	SCSI Peak Data Transfer Rate	640 MB/s total, 160 MB/s per channel
	Channels	2, 4
	SCSI Ports (external/internal)	2 channel model: 2/2 4 channel model: 4/2
	Drives Supported (maximum)	56
	Note: Drives Supported (maximum) is based on use of Compaq StorageWorks Enclosure 4200 family. (14 hard disk drive enclosure)	
	Cache	128, 64 or 32 MB battery backed read-write
	RAID Support	0, 1, 0+1, 5, Advanced Data Guarding
	Note: RAID ADG will be available in the near future. For customers who have purchased the SA-5304/128 a quick firmware upgrades to enable the technology will be available from www.compaq.com/smartarray . The 128-MB cache module with RAID ADG will also be available in the near future.	
	Note: RAID Support: Advanced Data Guarding (RAID ADG) is available with 128-MB versions of the SA-5300 only.	
	Logical Drives (maximum)	32
	Online Configuration	Yes
	Online Capacity Expansion	Yes
	Logical Drive Capacity Extension	Yes
	Online Stripe Size Migration	Yes
	Online RAID Level Migration	Yes
	Online Spare Support	Yes
	Automatic Data Recovery	Yes
Drive Roaming	Yes	
Redundant Controllers	No	

Technical Specifications

Smart Array 4200 Controller	Data Compatible with all Smart Array Controllers	Yes
	Instant Upgrades to other Smart Array Controllers	Yes
	Consistent Software Manageability Tools	Yes
	PCI Bus	64-bit, 33 MHz
	PCI Peak Data Transfer Rate	266 MB/s
	SCSI Protocols Supported	Ultra2, Wide-Ultra
	SCSI Peak Data Transfer Rate	320 MB/s total, 80 MB/s per channel
	Channels	4
	SCSI Ports (external/internal)	4/2
	Drives Supported (maximum)	56
	Note: Drives Supported (maximum) is based on use of Compaq StorageWorks Enclosure 4200/4300 family (14 hard disk drive enclosure).	
	Cache	64-MB battery backed read-write
	RAID Support	0, 1, 0+1, 5
	Logical Drives (maximum)	32
	Online Configuration	Yes
	Online Capacity Expansion	Yes
	Logical Drive Capacity Extension	Yes
	Online Stripe Size Migration	Yes
	Online RAID Level Migration	Yes
	Online Spare Support	Yes
Automatic Data Recovery	Yes	
Drive Roaming	Yes	
Redundant Controllers	No	

Smart Array 3200 Controller	Data Compatible with all Smart Array Controllers	Yes
	Instant Upgrades to other Smart Array Controllers	Yes
	Consistent Software Manageability Tools	Yes
	PCI Bus	32 bit, 33 MHz
	PCI Peak Data Transfer Rate	133 MB/s
	SCSI Protocols Supported	Ultra2, Wide-Ultra
	SCSI Peak Data Transfer Rate	160 MB/s total, 80 MB/s per channel
	Channels	2
	SCSI Ports (external/internal)	2/2
	Drives Supported (maximum)	28
	Note: Drives Supported (maximum) is based on use of Compaq StorageWorks Enclosure 4200/4300 family (14 hard disk drive enclosure).	
	Cache	64-MB battery backed read-write
	RAID Support	0, 1, 0+1, 4, 5
	Logical Drives (maximum)	32
	Online Configuration	Yes
	Online Capacity Expansion	Yes
	Logical Drive Capacity Extension	Yes
	Online Stripe Size Migration	Yes
	Online RAID Level Migration	Yes
	Online Spare Support	Yes
Automatic Data Recovery	Yes	
Drive Roaming	Yes	
Redundant Controllers	No	

Technical Specifications

64-bit/66-MHz Single Channel Wide Ultra3 SCSI Adapter	Drives Supported	Up to 14 SCSI devices
	Storage Capacity	254.8 GB
	Data Transfer Method	64-bit/66-MHz PCI bus-master
	Maximum SCSI Channel Transfer Rate	160 MB/s per channel
	Maximum Transfer Rate per PCI Bus (peak)	532 MB/s per channel
	SCSI Protocols	Wide Ultra3 SCSI Wide Ultra2 SCSI Wide-Ultra SCSI-3 Fast-Wide SCSI-2 Fast SCSI-2
	Electrical Protocol	Low Voltage Differential (LVD)
	SCSI Termination	Active Termination
	External SCSI Connectors	One 68-Pin Wide Ultra SCSI-3 connector
	Internal SCSI Connectors	Two 68-Pin Wide Ultra SCSI-3 connectors (one LVD and one SE) One 50-Pin Narrow Ultra connector

64-bit/66-MHz Dual Channel Wide Ultra3 SCSI Adapter	Drives Supported	Up to 28 SCSI devices (14 per channel)
	Storage Capacity	509.6 GB
	Data Transfer Method	64-bit/66-MHz PCI bus-master
	Maximum SCSI Channel Transfer Rate	160 MB/s per channel
	Maximum Transfer Rate per PCI Bus (peak)	532 MB/s per channel
	SCSI Protocols	Wide Ultra3 SCSI Wide Ultra2 SCSI Wide-Ultra SCSI-3 Fast SCSI-2
	Electrical Protocol	Low Voltage Differential (LVD)
	SCSI Termination	Active Termination
	External SCSI Connectors	Two 68-Pin VHDCI connectors
	Internal SCSI Connectors	Two 68-Pin Wide Ultra SCSI-3 connectors One 50-Pin Narrow Ultra connector

Compaq Rack 9142 (42U)(optional)	Dimensions	Total Cabinet	Shipping	Color
	Height	78.7 in/2,000 mm	83.38 in/2,168.65 mm	
	Depth	35.8 in/909 mm	48 in/121.92 mm	Opal
	Width	23.7 in/603 mm	32 in/812.8 mm	
	Weight	253 lbs/114.84 kg	325 lbs/147.52 kg	

Compaq Rack 9136 (36U)(optional)	Dimensions	Total Cabinet	Shipping	Color
	Height	68.6 in/1,742 mm	75.25 in/1,911.35 mm	
	Depth	35.8 in/909 mm	48 in/121.92 mm	Opal
	Width	23.7 in/603 mm	32 in/812.8 mm	
	Weight	165 lbs/75 kg	234 lbs/106 kg	

Compaq Rack 9122 (22U)(optional)	Dimensions	Total Cabinet	Shipping	Color
	Height	43 in/1,092 mm	52.25 in/1,327.15 mm	
	Depth	35.8 in/909 mm	48 in/121.92 mm	Opal
	Width	24 in/610 mm	32 in/812.8 mm	
	Weight	176 lbs/79.89 kg	225 lbs/102.13 kg	