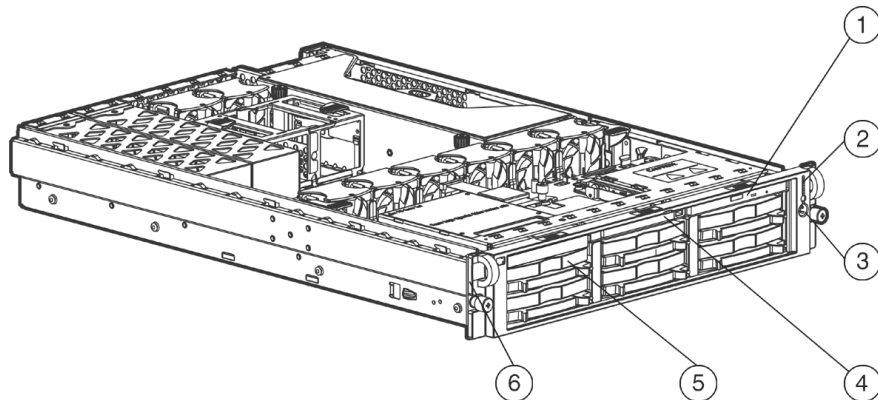


### Overview



1. 24X Max CD-ROM (with easy front ejection removal)
2. Front LEDs (show server status)
3. Unit Identification button and LED (for easy in rack server identification)
4. 1.44 MB (3.5") Floppy Disk Drive
5. Six 1" Wide Ultra3/Ultra320 SCSi hot plug hard drives and one DAT 40 or DAT 72 hot plug tape drive
6. 2U form factor

### What's New

- The ProLiant DL380 G3 is now available with the latest technologies delivering best-in-class performance
- Intel® Xeon 3.2GHz processors with 512K L2 Cache and 1 MB L3 Cache and 533MHz Front Side Bus

### Overview

- Windows® 2000 Model (available in North America only)
- Integrated Lights-Out (iLO) Management standard on system board
- Five Peer PCI Architecture up to 3.2 GHz processors and a 533MHz Front Side Bus
- ServerWorks GC -LE Chipset
- Integrated Smart Array 5i Plus Controller with optional Battery-Backed Write Cache (BBWC) Enabler option kit
- Three available 64-bit PCI-X slots, including two hot pluggable 100MHz slots and one 133MHz slot
- Two NC7781 PCI-X Gigabit NICs (embedded)
- Support for up to six 1" Wide Ultra3/Ultra320 SCSi hot plug hard drives or for five hot plug hard drives and one AIT hot plug tape drive
- User configurable single/dual channel drive backplane
- Internal hot plug capacity 880.8 GB standard (6 x 146.8 GB 1" HD)
- 400-Watt Hot Plug Power Supply (with optional redundancy)
- Hot Pluggable Fans (with optional redundancy)
- Sliding rails and cable management arm for easy serviceability and in-rack tool-less access to major components
- Automatic Server Recovery (ASR), ROM Based Setup Utility (RBSU), Insight Manager 7, Status LEDs including system health and UID and SmartStart
- Protected by HP Services, including a three-year, Next Business Day, on-site limited Global warranty and extended Pre-Failure Warranty, which covers processors, memory, and hard drives - Certain restrictions and exclusions apply. Consult the HP Customer Support Center at 1-800-345-1518 for details.

### Standard Features

<b>Processor</b> <i>One of the following depending on Model:</i>	<p>Intel Xeon Processor 3.2 GHz/533 MHz - 1MB</p> <p>Intel Xeon Processor 3.06 GHz/533 MHz - 1MB</p> <p>Intel Xeon Processor 3.06 GHz/533MHz -512KB</p> <p>Intel Xeon Processor 2.8 GHz/400MHz -512KB</p> <p>Intel Xeon Processor 2.4 GHz/400MHz -512KB</p>										
<b>Cache Memory</b>	<p>512-KB Level 2 cache</p> <p>1-MB Level 3 cache</p>										
<b>Upgradability (per server)</b>	Upgradable to dual processing										
<b>Chipset</b>	<p>ServerWorks GC -LE Chipset</p> <p><b>NOTE:</b> For more information regarding ServerWorks, please see the following URL: <a href="http://www.serverworks.com/products/overview.html">http://www.serverworks.com/products/overview.html</a>.</p>										
<b>Memory</b> <i>One of the following depending on Model:</i>	<table border="0"> <tr> <td style="vertical-align: top;">Standard</td> <td>1GB of 2-way interleaved PC2100 DDR SDRAM running at 266MHz on 3.06GHz models with Advanced ECC and Online Spare capabilities</td> </tr> <tr> <td style="vertical-align: top;">Maximum</td> <td>12 GB</td> </tr> <tr> <td style="vertical-align: top;">Standard</td> <td>1GB or 512 MB of 2-way interleaved capable PC2100 DDR SDRAM running at 200MHz on 2.8GHz models and lower, with Advanced ECC capabilities and Online Spare capabilities</td> </tr> <tr> <td style="vertical-align: top;">Maximum</td> <td>6 GB</td> </tr> </table>	Standard	1GB of 2-way interleaved PC2100 DDR SDRAM running at 266MHz on 3.06GHz models with Advanced ECC and Online Spare capabilities	Maximum	12 GB	Standard	1GB or 512 MB of 2-way interleaved capable PC2100 DDR SDRAM running at 200MHz on 2.8GHz models and lower, with Advanced ECC capabilities and Online Spare capabilities	Maximum	6 GB		
Standard	1GB of 2-way interleaved PC2100 DDR SDRAM running at 266MHz on 3.06GHz models with Advanced ECC and Online Spare capabilities										
Maximum	12 GB										
Standard	1GB or 512 MB of 2-way interleaved capable PC2100 DDR SDRAM running at 200MHz on 2.8GHz models and lower, with Advanced ECC capabilities and Online Spare capabilities										
Maximum	6 GB										
<b>Network Controller</b>	Two NC7781 PCI-X Gigabit NICs (embedded)										
<b>Expansion Slots</b>	<table border="0"> <tr> <td>I/O (3 Total, 3 available)</td> <td>PCI Voltage:</td> </tr> <tr> <td>64-bit/100 MHz Hot Plug PCI-X 2</td> <td>3.3 Volt or universal cards</td> </tr> <tr> <td>64-bit/133 MHz Non Hot Plug 1</td> <td></td> </tr> <tr> <td>PCI-X</td> <td></td> </tr> </table>	I/O (3 Total, 3 available)	PCI Voltage:	64-bit/100 MHz Hot Plug PCI-X 2	3.3 Volt or universal cards	64-bit/133 MHz Non Hot Plug 1		PCI-X			
I/O (3 Total, 3 available)	PCI Voltage:										
64-bit/100 MHz Hot Plug PCI-X 2	3.3 Volt or universal cards										
64-bit/133 MHz Non Hot Plug 1											
PCI-X											
<b>Storage Controller</b>	<p>Smart Array 5i Plus Controller (integrated on system board)</p> <p><b>NOTE:</b> For complete list of devices supported the Smart array 5i Controller see the following: <a href="http://h18000.www1.hp.com/products/quickspecs/11063_div/11063_div.HTML">http://h18000.www1.hp.com/products/quickspecs/11063_div/11063_div.HTML</a> (Worldwide) <a href="http://h18000.www1.hp.com/products/quickspecs/11063_na/11063_na.HTML">http://h18000.www1.hp.com/products/quickspecs/11063_na/11063_na.HTML</a> (North America)</p>										
<b>Storage</b>	<table border="0"> <tr> <td>Diskette Drives</td> <td>1.44 MB</td> </tr> <tr> <td>CD-ROM</td> <td>24x IDE CD-ROM (Universal Media Bay)</td> </tr> <tr> <td>Hard Drives</td> <td>None</td> </tr> <tr> <td></td> <td><b>NOTE:</b> The system can be operated in single channel (using either the embedded Smart Array 5i Plus controller or a PCI-based controller) or dual channel (with the first 2 drives on 1 channel, driven by the Smart Array 5i Plus controller and 4 drives driven by either the Smart Array 5i Plus or a PCI-based controller).</td> </tr> <tr> <td>Maximum Internal Storage</td> <td>880.8 GB (6 x 146.8 GB Ultra 320 1")</td> </tr> </table>	Diskette Drives	1.44 MB	CD-ROM	24x IDE CD-ROM (Universal Media Bay)	Hard Drives	None		<b>NOTE:</b> The system can be operated in single channel (using either the embedded Smart Array 5i Plus controller or a PCI-based controller) or dual channel (with the first 2 drives on 1 channel, driven by the Smart Array 5i Plus controller and 4 drives driven by either the Smart Array 5i Plus or a PCI-based controller).	Maximum Internal Storage	880.8 GB (6 x 146.8 GB Ultra 320 1")
Diskette Drives	1.44 MB										
CD-ROM	24x IDE CD-ROM (Universal Media Bay)										
Hard Drives	None										
	<b>NOTE:</b> The system can be operated in single channel (using either the embedded Smart Array 5i Plus controller or a PCI-based controller) or dual channel (with the first 2 drives on 1 channel, driven by the Smart Array 5i Plus controller and 4 drives driven by either the Smart Array 5i Plus or a PCI-based controller).										
Maximum Internal Storage	880.8 GB (6 x 146.8 GB Ultra 320 1")										

### Standard Features

<b>Interfaces</b>	Serial	1
	Pointing Device (Mouse)	1
	Graphics	1
	Keyboard	1
	External SCSI (VHDCI)	1
	Network RJ-45	3 (1 for iLO)
	USB	2

**NOTE:** Please see the following URL for additional information regarding USB support:  
<http://h18004.www1.hp.com/products/servers/platforms/usb-support.html>.

---

<b>Graphics</b>	Integrated ATI Rage XL Video Controller with 8-MB SDRAM Video Memory
-----------------	--

---

<b>Form Factor</b>	Rack (2U), (3.5-inch)
--------------------	-----------------------

---

### Standard Features

#### ProLiant Essentials Foundation Pack Software

Insight Manager 7 and HP Systems Insight Manager

Insight Manager 7 and HP's new HP Systems Insight Manager help maximize system uptime and performance and reduce system maintenance costs by providing proactive notification of problems before those problems result in unplanned downtime or reduced productivity. Insight Manager 7 and HP Systems Insight Manager are both easy to set up work with the Insight Management Agents, integrated Light-Out and Remote Insight Light-Out Edition, and Version Control Agents to deliver robust fault, configuration, and asset management as well as remote administration. With HP Systems Insight Manager customers will also be able to take advantage of role-based security; the ability to manage ProLiant, Integrity, and HP9000 systems; and plug-ins for storage, client, printer, and power management as well as server rapid deployment, performance management, and workload management. For more details on HP Systems Insight Manager visit <http://www.hp.com/go/hpsim>.

SmartStart

SmartStart is a tool that simplifies server setup, providing a rapid way to deploy reliable and consistent server configurations. For more information, please visit the SmartStart Web site at:

<http://www.hp.com/servers/smartstart>

SmartStart version supported (minimum): SmartStart 6.4

Management Agents

The Management Agents form the foundation for HP's Intelligent Manageability strategy. They provide direct, browser-based access to in-depth instrumentation built into HP servers, workstations, desktops, and portables, and send alerts to Insight Manager 7 and other enterprise management applications in case of subsystem or environmental failures. For additional information about the Management Agents and other management products from, HP please visit the management Web site at:

<http://www.hp.com/servers/manage>

ActiveUpdate

ActiveUpdate is a web-based application that keeps IT managers directly connected to HP for proactive notification and delivery of the latest software updates.

ROMPaq, support software, and configuration utilities

The latest software, drivers, and firmware fully optimized and tested for your ProLiant server and options.

Survey Utility and diagnostics utilities

The most advanced configuration analysis, reporting and troubleshooting utilities used by HP and at your fingertips.

Optional ProLiant Essentials Value Packs

Optional software offerings that selectively extend the functionality of an Adaptive Infrastructure to address specific business problems and needs:

- Rapid Deployment Pack – an automated solution for multi-server deployment and provisioning, enabling companies to quickly and easily adapt to changing business demands.
- Workload Management Pack – provides easier management of complex environments, improving overall server utilization and enabling Windows 2000 customers for the first time to confidently deploy multiple applications on a single multiprocessor ProLiant Server.
- Integrated Lights-Out Advanced Pack – upgrades the Integrated Lights-Out processor to full virtual presence and control with graphical console and virtual media.
- Recovery Server Option Pack – entry-level high availability software that will provide reliable protection and increased uptime against server hardware and operating system failures.
- Performance Management Pack – a performance management solution that identifies and explains hardware performance bottlenecks on ProLiant servers and attached options enabling users to better utilize their valuable resources.

**NOTE:** Flexible and volume quantity license kits are available for ProLiant Essentials Value Packs. Refer to <http://www.hp.com/servers/proliantessentials> or the various ProLiant Essentials Value Pack product QuickSpecs for more information.

**NOTE:** For more information regarding ProLiant Essentials Software, please see the following URL: <http://www.hp.com/servers/proliantessentials>.

### Standard Features

#### Industry Standard Compliance

ACPI 1.0b Compliant  
PCI 2.2 Compliant  
WOL Support  
Microsoft® Logo certifications  
USB 1.1

#### Intelligent Manageability

Insight Manager 7  
HP Systems Insight Manager  
Redundant ROM  
Remote Flash ROM  
Integrated Lights Out Support  
Management Agent  
Automatic Server Recovery (ASR)  
Remote Insight Lights-Out Edition II (optional)  
Integrated Management Log  
Drive Parameter Tracking (with Smart Array Controllers)  
Dynamic Sector Repairing (with Smart Array Controllers)  
Hot Spare Boot  
**(NOTE: Upon the event of a failed processor or VRM in a multi-processing environment, the system will automatically reboot and use the remaining good processor(s).)**  
Pre-Failure Warranty (covers processors, hard drives and memory)

#### Security

Power-on password  
Keyboard password  
Diskette drive control  
Diskette boot control  
QuickLock, Network Server Mode  
Serial interface control  
Administrator's password  
Disk configuration lock

#### Server Power Cords

One Lowline NEMA power cord and One Highline IEC Power cord ships standard

#### Power Supply

400 Watt, CE Mark Compliant  
Optional Hot Plug AC Redundant Power Supply and DC Redundant Power Supply

#### System Fans

5 fans ship standard. 8 total supported internally  
**(NOTE: The additional 3 fans are available via Option Kit (PN 293048-B21).)**

#### Required Cabling

For required cabling information, refer to the Web site at:  
<http://h18000.www1.hp.com/products/servers/proliantDL380/>.

### Standard Features

#### OS Support

Microsoft Windows NT® Server  
Microsoft Windows 2000  
Novell NetWare  
Caldera OpenUNIX 8  
LINUX (Red Hat, SuSE)

**NOTE:** For a more complete and up-to-date listing of supported OSs and versions, please visit our OS Support Matrix at: <ftp://ftp.compaq.com/pub/products/servers/os-support-matrix-310.pdf>.

**NOTE:** For an up-to-date listing of the latest drivers available for the ProLiant DL380 G3, please see: <http://h18023.www1.hp.com/support/files/server/us/index.html>.

**NOTE:** For a more complete and up-to-date information on Linux support, please visit HP Linux Web site at: <http://h18000.www1.hp.com/products/servers/linux/hpLinuxcert.html>.

#### Rack Airflow Requirements

- Rack 10000 series Cabinets

The increasing power of new high-performance processor technology requires increased cooling efficiency for rack-mounted servers. The 10000 Series Racks provide enhanced airflow for maximum cooling, allowing these racks to be fully loaded with servers using the latest processors.

**CAUTION:** If a third-party rack is used, observe the following additional requirements to ensure adequate airflow and to prevent damage to the equipment:

- **Front and rear doors:** If your 42U server rack includes closing front and rear doors, you must allow 830 square inches (5,350 sq cm) of hole evenly distributed from top to bottom to permit adequate airflow (equivalent to the required 64 percent open area for ventilation).
- **Side:** The clearance between the installed rack component and the side panels of the rack must be a minimum of 2.75 inches (7 cm).

**CAUTION:** Always use blanking panels to fill all remaining empty front panel U-spaces in the rack. This arrangement ensures proper airflow. Using a rack without blanking panels results in improper cooling that can lead to thermal damage.

**NOTE:** For additional information, refer to the Setup and Installation Guide or the Documentation CD provided with the server, or to the server documentation located in the Support section at the following URL: <http://h18000.www1.hp.com/products/servers/proliantdl380/index.html>.

#### Rack Kit

Tool-free support for racks with square mounting holes (including Compaq/HP 7000, 9000, 10000 and H9 series), with an adjustment range of 24" - 36".

#### Telco Rack Support

DL380 G3 Telco Rack Kit:  
Support for all 2-post Telco racks requires the use of the standard rack kit and an additional option kit from Rack Solutions (<http://www.racksolutions.com/hp>).

#### HP Factory Express Capabilities

HP Factory Express gives you the flexibility to choose from a full menu of factory capabilities all in one manufacturing facility, in one process, with one touch giving you full control and access to HP's World class manufacturing facility anytime. This approach provides you the speed to deploy your IT needs, with total quality assurance, reliability, and predictability to lower your total cost of ownership by letting HP install, rack, and customize your software and hardware options for you.

### Standard Features

#### Service and Support

HP Services provides a three-year, limited warranty, including Pre-Failure Warranty (coverage of hard drives, memory and processors) fully supported by a worldwide network of resellers and service providers and lifetime toll-free 7 x 24 hardware technical phone support. In addition, available service offerings include:

**NOTE:** Limited Warranty includes 3 year Parts, 3 year Labor, 3-year on-site support.

A full range of HP Care Pack packaged hardware and software services:

- Installation and start up
- Extended coverage hours and enhanced response times
- System management and performance services
- Availability and recovery services

**NOTE:** For more information, visit <http://www.hp.com/services/carepack>.

Please see the following URL regarding Warranty Information For Your HP Products:

<http://h18004.www1.hp.com/products/servers/platforms/warranty/index.html>

For additional information regarding Worldwide Limited Warranty and Technical Support, please see the following

URL: <ftp://ftp.compaq.com/pub/supportinformation/ejourney/176738.pdf>.

**NOTE:** Certain restrictions and exclusions apply. Consult the Customer Support Center at 1-800-345-1518 for details.

### Models

<b>DL380R03 X3.2-1MB/533,</b> <b>1GB</b> <i>333705-001</i>	<b>Processor</b>	(1) Intel Xeon Processor 3.2 GHz standard (up to 2 supported)
	<b>Cache Memory</b>	512-KB and 1-MB level 3 cache
	<b>Memory</b>	1 GB (Standard) to 12 GB (Maximum) of 2-way interleaved capable PC2100 DDR SDRAM running at 266MHz with Advanced ECC capabilities
	<b>Network Controller</b>	(2) NC7781 PCI-X Gigabit NIC (embedded)
	<b>Storage Controller</b>	Smart Array 5i Plus Controller (integrated on system board)
	<b>Hard Drives</b>	None ship standard
	<b>Internal Storage</b>	880.8 GB max (with optional hard drives)
	<b>Optical Drive</b>	24x IDE CD-ROM (Universal Media Bay)
	<b>Form Factor</b>	Rack (2U), (3.5-inch)

<b>DL380R03 X3.06-1MB/533,</b> <b>1GB</b> <i>333704-001</i>	<b>Processor</b>	(1) Intel Xeon Processor 3.06 GHz standard (up to 2 supported)
	<b>Cache Memory</b>	512-KB and 1-MB level 3 cache
	<b>Memory</b>	1 GB (Standard) to 12 GB (Maximum) of 2-way interleaved capable PC2100 DDR SDRAM running at 266MHz with Advanced ECC capabilities
	<b>Network Controller</b>	(2) NC7781 PCI-X Gigabit NIC (embedded)
	<b>Storage Controller</b>	Smart Array 5i Plus Controller (integrated on system board)
	<b>Hard Drives</b>	None ship standard
	<b>Internal Storage</b>	880.8 GB max (with optional hard drives)
	<b>Optical Drive</b>	24x IDE CD-ROM (Universal Media Bay)
	<b>Form Factor</b>	Rack (2U), (3.5-inch)

<b>DL380R03 X3.06-512KB/533,</b> <b>1GB</b> <i>310587-001</i>	<b>Processor</b>	(1) Intel Xeon Processor 3.06 GHz standard (up to 2 supported)
	<b>Cache Memory</b>	512-KB level 2 cache
	<b>Memory</b>	1 GB (Standard) to 12 GB (Maximum) of 2-way interleaved capable PC2100 DDR SDRAM running at 266MHz, with Advanced ECC capabilities
	<b>Network Controller</b>	(2) NC7781 PCI-X Gigabit NIC (embedded)
	<b>Storage Controller</b>	Smart Array 5i Plus Controller (integrated on system board)
	<b>Hard Drives</b>	None ship standard
	<b>Internal Storage</b>	880.8 GB max (with optional hard drives)
	<b>Optical Drive</b>	24x IDE CD-ROM (Universal Media Bay)
	<b>Form Factor</b>	Rack (2U), (3.5-inch)

<b>DL380R03 X2.8-512KB/400,</b> <b>1GB</b> <i>349201-001</i>	<b>Processor</b>	(1) Intel Xeon Processor 2.8 GHz standard (up to 2 supported)
	<b>Cache Memory</b>	512-KB level 2 cache
	<b>Memory</b>	1GB (Standard) to 6 GB (Maximum) of 2-way interleaved capable PC2100 DDR SDRAM running at 200MHz, with Advanced ECC capabilities
	<b>Network Controller</b>	(2) NC7781 PCI-X Gigabit NIC (embedded)
	<b>Storage Controller</b>	Smart Array 5i Plus Controller (integrated on system board)
	<b>Hard Drives</b>	None ship standard
	<b>Internal Storage</b>	880.8 GB max (with optional hard drives)
	<b>Optical Drive</b>	24x IDE CD-ROM (Universal Media Bay)
	<b>Form Factor</b>	Rack (2U), (3.5-inch)

### Models

<b>DL380R03 X2.8-512KB, 512MB, W2K</b> 331441-001	<b>Processor</b>	(1) Intel Xeon Processor 2.8 GHz standard (up to 2 supported)
	<b>Cache Memory</b>	512-KB level 2 cache
	<b>Memory</b>	512 MB (Standard) to 6 GB (Maximum) of 2-way interleaved capable PC2100 DDR SDRAM running at 200MHz, with Advanced ECC capabilities
	<b>Network Controller</b>	(2) NC7781 PCI-X Gigabit NIC (embedded) 10/100/1000 WOL (Wake on LAN) (embedded)
	<b>Storage Controller</b>	Smart Array 5i Plus Controller (integrated on system board)
	<b>Hard Drives</b>	None ship standard
	<b>Internal Storage</b>	880.8 GB max (with optional hard drives)
	<b>Optical Drive</b>	24x IDE CD-ROM (Universal Media Bay)
	<b>Form Factor</b>	Rack (2U), (3.5-inch)
	<b>OS</b>	Windows 2000 Server + 5 CALs standard with W2K model (not pre-installed)

<b>DL380R03 X2.8-512KB/400, 512MB</b> 301111-001	<b>Processor</b>	(1) Intel Xeon Processor 2.8 GHz standard (up to 2 supported)
	<b>Cache Memory</b>	512-KB level 2 cache
	<b>Memory</b>	512 MB (Standard) to 6 GB (Maximum) of 2-way interleaved capable PC2100 DDR SDRAM running at 200MHz, with Advanced ECC capabilities
	<b>Network Controller</b>	(2) NC7781 PCI-X Gigabit NIC (embedded)
	<b>Storage Controller</b>	Smart Array 5i Plus Controller (integrated on system board)
	<b>Hard Drives</b>	None ship standard
	<b>Internal Storage</b>	880.8 GB max (with optional hard drives)
	<b>Optical Drive</b>	24x IDE CD-ROM (Universal Media Bay)
	<b>Form Factor</b>	Rack (2U), (3.5-inch)

<b>DL380R03 X2.4-512KB/400, 1GB</b> 349200-001	<b>Processor</b>	(1) Intel Xeon Processor 2.4 GHz standard (up to 2 supported)
	<b>Cache Memory</b>	512-KB level 2 cache
	<b>Memory</b>	1GB (Standard) to 6 GB (Maximum) of 2-way interleaved capable PC2100 DDR SDRAM running at 200MHz, with Advanced ECC capabilities
	<b>Network Controller</b>	(2) NC7781 PCI-X Gigabit NIC (embedded)
	<b>Storage Controller</b>	Smart Array 5i Plus Controller (integrated on system board)
	<b>Hard Drives</b>	None ship standard
	<b>Internal Storage</b>	880.8 GB max (with optional hard drives)
	<b>Optical Drive</b>	24x IDE CD-ROM (Universal Media Bay)
	<b>Form Factor</b>	Rack (2U), (3.5-inch)

<b>DL380R03 X2.4-512KB/400, 512MB</b> 257917-001	<b>Processor</b>	(1) Intel Xeon Processor 2.4 GHz standard (up to 2 supported)
	<b>Cache Memory</b>	512-KB level 2 cache
	<b>Memory</b>	512 MB (Standard) to 6 GB (Maximum) of 2-way interleaved capable PC2100 DDR SDRAM running at 200MHz, with Advanced ECC capabilities
	<b>Network Controller</b>	(2) NC7781 PCI-X Gigabit NIC (embedded)
	<b>Storage Controller</b>	Smart Array 5i Plus Controller (integrated on system board)
	<b>Hard Drives</b>	None ship standard
	<b>Internal Storage</b>	880.8 GB max (with optional hard drives)
	<b>Optical Drive</b>	24x IDE CD-ROM (Universal Media Bay)
	<b>Form Factor</b>	Rack (2U), (3.5-inch)

### Options

<b>ProLiant DL380 G3 Unique Options</b>	DL380 G3 Redundant Fan Option Kit	293048-B21
	<b>NOTE:</b> Hot Plug Redundant Fan Option Kit (PN 293048-B21) contains three fans per kit.	
	Hot Plug AC Redundant Power Supply Module (NEMA cord)	313054-001
	Hot Plug AC Redundant Power Supply Module (IEC cord)	313054-B21
<b>ProLiant Essentials Value Pack Software</b>	Rapid Deployment Pack, 1 User, V1.x	267196-B21
	<b>NOTE:</b> This license allows 1 server to be managed and deployed via the Deployment Server.	
	Rapid Deployment Pack, 10 Users, V1.x	269817-B21
	<b>NOTE:</b> This license allows 10 servers to be managed and deployed via the Deployment Server.	
	ProLiant Essentials Workload Management Pack (Featuring Compaq Resource Partitioning Manager version 2.0)	303284-B21
	Flexible Quantity License Kit	302127-B21
	License-Only - for use with a Master License Agreement	302128-B21
	ProLiant Essentials Recovery Server Option Pack	280189-B21
	ProLiant Essentials Performance Management Pack v2.0, Single License	306696-B21
	ProLiant Essentials Integrated Lights-Out Advanced Pack	263825-B21
(Featuring: sophisticated virtual administration features for ultimate control of servers in the data centers and remote sites)		
<b>NOTE:</b> Flexible and volume quantity license kits are available for ProLiant Essentials Value Packs. Refer to <a href="http://www.hp.com/servers/proliantessentials">http://www.hp.com/servers/proliantessentials</a> or the various ProLiant Essentials Value Pack product QuickSpecs for more information.		
<b>NOTE:</b> For more information regarding ProLiant Essentials Software, please see the following URL: <a href="http://www.hp.com/servers/proliantessentials">http://www.hp.com/servers/proliantessentials</a> .		
<b>Software</b>	HP digital asset protection	302316-001
<b>Processor</b>	Intel Xeon X3.2-1MB/533MHz Processor Option Kit	333714-B21
	<b>NOTE:</b> The 3.2GHz processor option kits are not backwards compatible; they cannot be used to upgrade systems purchased with 2.4 or 2.8GHz processors.	
	Intel Xeon X3.06-1MB/533MHz Processor Option Kit	333713-B21
	<b>NOTE:</b> The 3.06GHz processor option kits are not backwards compatible; they cannot be used to upgrade systems purchased with 2.4, 2.8, or 3.2GHz processors.	
	Intel Xeon 3.06 GHz-512KB/533MHz Processor Option Kit	257916-B21
	<b>NOTE:</b> The 3.06GHz processor option kits are not backwards compatible; they cannot be used to upgrade systems purchased with 2.4, 2.8, or 3.2GHz processors.	
Intel Xeon 2.80 GHz-512KB/400MHz Processor Option Kit	257915-B21	
<b>NOTE:</b> This processor option kit (PN 257915-B21) is not forwards compatible; it cannot be used in systems purchased with 3.06 or 3.2GHz processors. This processor option kit supports the ProLiant ML370 G3 and ProLiant DL380 G3 servers.		
Intel Xeon 2.40 GHz-512KB/400MHz Processor Option Kit	257913-B21	
<b>NOTE:</b> This processor option kit (PN 257913-B21) is not forwards compatible; it cannot be used in systems purchased with 3.06 or 3.2GHz processors. This processor option kit supports the ProLiant ML370 G3 and ProLiant DL380 G3 servers.		

### Options

<b>Memory</b>	512MB of Advanced ECC PC2100 DDR SDRAM DIMM Memory Kit (2 x 256 MB)	300678-B21
	1024MB of Advanced ECC PC2100 DDR SDRAM DIMM Memory Kit (2 x 512 MB)	300679-B21
	2048-MB of Advanced ECC PC2100 DDR SDRAM DIMM Memory Kit (2x1024 MB)	300680-B21
	4096MB of Advanced ECC PC2100 DDR SDRAM DIMM Memory Kit (2x 2048 MB)	300682-B21

**NOTE:** The 4096MB of Advanced ECC PC2100 DDR Memory kit (300682-B21) can only be used in 3.06GHz and faster models.

---

<b>Optical Drives</b>	Slimline CD-RW/DVD-ROM Combo Option Kit	331903-B21
-----------------------	---	------------

---

<b>Hard Drives</b>	<b><i>Ultra 320 SCSI – Universal Hot Plug</i></b>	
	36.4GB 10,000 rpm, U320 Universal Hard Drive, 1"	286713-B22
	72.8GB 10,000 rpm, U320 Universal Hard Drive, 1"	286714-B22
	146.8GB 10,000 rpm, U320 Universal Hard Drive, 1"	286716-B22
	18.2GB 15,000 rpm, U320 Universal Hard Drive, 1"	286775-B22
	36.4GB 15,000 rpm, U320 Universal Hard Drive, 1"	286776-B22
	72.8GB 15,000 rpm, U320 Universal Hard Drive, 1"	286778-B22

**NOTE:** All U320 Universal Hard Drives are backward compatible to U2 or U3 speeds. U320 drives require an optional U320 Smart Array Controller or U320 SCSI HBA to support U320 transfer rates.

**NOTE:** Please see the Hard Drive QuickSpecs for Technical Specifications such as capacity, height, width, interface, transfer rate, seek time, physical configuration, and operating temperature:

U320 Hard Drive QS:

[http://h18000.www1.hp.com/products/quickspecs/11531\\_na/11531\\_na.HTML](http://h18000.www1.hp.com/products/quickspecs/11531_na/11531_na.HTML)

---

### Options

<b>Storage Controllers</b>	Battery Backed Write Cache Enabler Option Kit	255514-B21
	Smart Array 532 Controller	225338-B21
	Smart Array 5302/128 Controller	283552-B21
	Smart Array 5304/256 Controller	283551-B21
	Smart Array 6402/128 Controller	273915-B21
	Smart Array 6404/256 Controller	273914-B21
	Smart Array 641 Controller	291966-B21
	Smart Array 642 Controller	291967-B21
	RAID ADG Upgrade for Smart Array 5302	288601-B21
	Ultra3 Channel Expansion Module for Smart Array 5300 Controller	153507-B21
	128-MB Cache Module for Smart Array 5302 Controller	153506-B21
	256-MB Battery-Backed Cache Module	254786-B21
	<b>NOTE:</b> This 256-MB Battery-Backed Cache Module supports the Smart Array 5300 series controllers, HP StorageWorks Modular Smart Array 1000 and the HP StorageWorks Modular Smart Array 500.	
	256MB DDR, Battery-Backed Cache Upgrade Kit for SA-6400	273913-B21
	<b>NOTE:</b> This 256-MB DDR, Battery-Backed Cache upgrade kit supports the Smart Array 6400 series controller only.	
	64 MB Battery Backed Write Cache Enabler	291969-B21
	<b>NOTE:</b> This 64 MB BBWC supports the Smart Array 641 Controller and Smart Array 642 Controller.	
	64-Bit/133-MHz Dual Channel Ultra320 SCSI Adapter	268351-B21
	Ultra320 Expansion Module for SA-6402	273911-B21
	64-Bit/66-MHz Dual Channel Wide Ultra3 SCSI Adapter, Alternate OS	284688-B21
	<b>NOTE:</b> Please see the following Controller or SCSI Adapter QuickSpecs for Technical Specifications such as PCI Bus, PCI Peak Data Transfer Rate, SCSI Protocols supported, SCSI Peak Data Transfer Rate, Channels, SCSI Ports, Drives supported, Cache, RAID support, and additional information:	
	<a href="http://h18000.www1.hp.com/products/quickspecs/11063_na/11063_na.HTML">http://h18000.www1.hp.com/products/quickspecs/11063_na/11063_na.HTML</a> (Smart Array 5i Plus)	
	<a href="http://h18000.www1.hp.com/products/quickspecs/10851_na/10851_na.HTML">http://h18000.www1.hp.com/products/quickspecs/10851_na/10851_na.HTML</a> (Smart Array 532)	
	<a href="http://h18000.www1.hp.com/products/quickspecs/10640_na/10640_na.HTML">http://h18000.www1.hp.com/products/quickspecs/10640_na/10640_na.HTML</a> (Smart Array 5300 Series)	
	<a href="http://h18000.www1.hp.com/products/quickspecs/11328_na/11328_na.HTML">http://h18000.www1.hp.com/products/quickspecs/11328_na/11328_na.HTML</a> (Smart Array 5312)	
	<a href="http://h18000.www1.hp.com/products/quickspecs/11746_na/11746_na.HTML">http://h18000.www1.hp.com/products/quickspecs/11746_na/11746_na.HTML</a> (Smart Array 6400)	
	<a href="http://h18000.www1.hp.com/products/quickspecs/11563_na/11563_na.HTML">http://h18000.www1.hp.com/products/quickspecs/11563_na/11563_na.HTML</a> (Smart Array 641)	
	<a href="http://h18000.www1.hp.com/products/quickspecs/11563_na/11563_na.HTML">http://h18000.www1.hp.com/products/quickspecs/11563_na/11563_na.HTML</a> (Smart Array 642)	
	<a href="http://h18000.www1.hp.com/products/quickspecs/10429_na/10429_na.HTML">http://h18000.www1.hp.com/products/quickspecs/10429_na/10429_na.HTML</a> (SCSI Adapter)	
	<a href="http://h18000.www1.hp.com/products/quickspecs/11555_na/11555_na.HTML">http://h18000.www1.hp.com/products/quickspecs/11555_na/11555_na.HTML</a> (U320 Adapter)	

### Options

<b>Communications</b>	NC6170 Dual Port PCI-X 1000SX Gigabit Server Adapter	313879-B21
	NC6770 PCI-X Gigabit Server Adapter, 1000-SX	244949-B21
	NC7170 Dual Port PCI-X 1000T Gigabit Server Adapter	313881-B21
	NC7770 PCI-X Gigabit Server Adapter	244948-B21
	NC7771 PCI-X 10/100/1000-T Server Adapter	290563-B21
	<b>NOTE:</b> Any NC61XX, NC71XX or NC77XX NIC can be used for redundancy with the embedded NC7781 Network Controller.	
<b>DC Power Supply</b>	DC Power Supply for the DL380 (48V)	268290-B21
	<b>NOTE:</b> The ProLiant DL380 G3 ships standard with a 100-240 volt auto-switching AC power supply. Each 48-volt DC option kit (PN 268290-B21) contains one power supply. Therefore, to convert to redundant DC power supplies, two must be purchased.	
<b>Redundant Options</b>	Hot Plug AC Redundant Power Supply Module (NEMA cord)	313054-001
	Hot Plug AC Redundant Power Supply Module (IEC cord)	313054-B21
<b>Management Options</b>	Remote Insight Lights-Out Edition II	227251-001
	<b>NOTE:</b> USB Virtual Media Not Supported. <b>NOTE:</b> The RILOE II USB Virtual Media feature is not supported on the 2.40 and 2.80 GHz versions of the ProLiant DL380 G3 and ProLiant ML370 G3 servers. The RILOE II cannot be used to connect the local client floppy and CD devices as USB virtual devices to the remote server. All other RILOE II features are supported on these servers. The non-USB based RILOE II Virtual Floppy feature is still supported, allowing you to perform functions such as remote ROM upgrades and server deployment. The Virtual Floppy feature requires loading the floppy image in to the RILOE II. For more details, please refer to the user guide of the RILOE II.	
<b>Security</b>	HP/Atalla AXL600L SSL Accelerator Card for ProLiant Servers	524545-B21
	Compaq AXL300 Accelerator PCI Card (HW SSL Encryption) for ProLiant Servers	227933-B21
<b>Monitors</b>	<b>Rackmount Flat Panel Monitors</b>	
	TFT5110R Flat Panel Monitor (Carbon)	281683-B21
	<b>NOTE:</b> Monitors larger than 17" may be too heavy for use in rack systems. <b>NOTE:</b> For a complete list of Monitors please view the following URL: <a href="http://h18000.www1.hp.com/products/quickspecs/11538_na/11538_na.HTML">http://h18000.www1.hp.com/products/quickspecs/11538_na/11538_na.HTML</a> <a href="http://h18004.www1.hp.com/products/monitors/">http://h18004.www1.hp.com/products/monitors/</a>	

### Options

#### Tape Drives

**NOTE:** External tape devices, including both tape drives and tape arrays/enclosures, can be directly connected to the VHDCI SCSI port located on the back of the server. Use of a SCSI adapter to connect these devices is optional, not required.

##### **External LTO Ultrium Tape Drives**

HP StorageWorks Ultrium 215 Tape Drive for ProLiant, External (Carbon)	Q1544A
HP StorageWorks Ultrium 230 Tape Drive for ProLiant, External (Carbon)	Q1516A
HP StorageWorks Ultrium 460 Tape Drive for ProLiant, External (Carbon)	Q1519A

**NOTE:** Please see the HP StorageWorks Ultrium 215, 230, and 460 Tape Drive QuickSpecs for additional options such as controllers, and other related items, and for an up-to-date listing of the latest O/S Support details, please see the following:

[http://h18006.www1.hp.com/products/quickspecs/11739\\_na/11739\\_na.html](http://h18006.www1.hp.com/products/quickspecs/11739_na/11739_na.html)

##### **External DAT 72 Tape Backup Drives**

HP StorageWorks DAT 72 for ProLiant, External (Carbon)	Q1527A
HP StorageWorks DAT 72 Tape Drive for Open Connect, External (Carbon)	Q1523A
HP StorageWorks DAT 72 for ProLiant, Internal Hot Plug (Carbon)	Q1529A

**NOTE:** Please see the DAT 72 Tape Drive QuickSpecs for additional options such as adapters, controllers, and cassettes, and for an up-to-date listing of the latest O/S Support details, please see the following:

[http://h18000.www1.hp.com/products/quickspecs/11597\\_na/11597\\_na.HTML](http://h18000.www1.hp.com/products/quickspecs/11597_na/11597_na.HTML)

##### **Internal and External DAT Tape Drives**

HP StorageWorks DAT 40 Tape Drive for ProLiant, External (Carbon)	Q1554A
HP StorageWorks DAT 40 Tape Drive for Open Connect, External (Carbon)	C5687C
HP StorageWorks DAT 40 Tape Drive for ProLiant, Internal Hot Plug	Q1546A

**NOTE:** Please see the DAT40 Tape Drive QuickSpecs for additional options such as host bus adapters, controllers, cassettes, and for an up-to-date listing of the latest O/S Support details, please see the following:

[http://h18006.www1.hp.com/products/quickspecs/11784\\_na/11784\\_na.html](http://h18006.www1.hp.com/products/quickspecs/11784_na/11784_na.html)

HP StorageWorks DAT 24 Tape Drive for Open Connect, External (Flint)	C1556D
--	--------

**NOTE:** Please see the DAT24 Tape Drive QuickSpecs for additional options:

[http://h18006.www1.hp.com/products/quickspecs/11783\\_na/11783\\_na.html](http://h18006.www1.hp.com/products/quickspecs/11783_na/11783_na.html)

##### **External and Rackmount DLT Tape Drives**

HP StorageWorks DLT VS 40/80 Tape Drive, External (Carbon)	280129-B22
--	------------

**NOTE:** Please see the DLT VS 40/80 Tape Drive QuickSpecs for additional options such as host bus adapters, controllers, cassettes, and for an up-to-date listing of the latest O/S Support details, please see the following:

[http://h18006.www1.hp.com/products/quickspecs/11403\\_na/11403\\_na.HTML](http://h18006.www1.hp.com/products/quickspecs/11403_na/11403_na.HTML)

HP StorageWorks DLT 40/80 Tape Drive, External (Carbon)	146197-B22
HP StorageWorks DLT 40/80 Tape Drive, 3U Rackmount (Single Drive)	274332-B21
HP StorageWorks DLT 40/80 Tape Drive, 3U Rackmount (Two Drives)	274335-B21
HP StorageWorks DLT 40/80 Tape Drive, 5U Rackmount (Four Drives)	274337-B21

**NOTE:** Please see the DLT 40/80 Tape Drive QuickSpecs for additional options such as host bus adapters, controllers, cassettes, and for an up-to-date listing of the latest O/S Support details, please see the following:

[http://h18000.www1.hp.com/products/quickspecs/10658\\_na/10658\\_na.HTML](http://h18000.www1.hp.com/products/quickspecs/10658_na/10658_na.HTML)

### Options

#### **External and Rackmount SDLT Tape Drives**

HP StorageWorks SDLT 110/220 Tape Drive, External (Carbon)	192103-002
HP StorageWorks SDLT 110/220 Tape Drive, 3U Rackmount (Single Drive)	274331-B21
HP StorageWorks SDLT 110/220 Tape Drive, 3U Rackmount (Two Drives)	274334-B21
HP StorageWorks Rackmount DLT 40/80, Tape Array III, 5U (Four Drives)	274336-B21

**NOTE:** Please see the [SDLT 110/220 Tape Drive QuickSpecs](#) for additional options such as adapters, controllers, and media, and for an up-to-date listing of the latest O/S Support details, please see the following:

[http://h18000.www1.hp.com/products/quickspecs/10772\\_na/10772\\_na.HTML](http://h18000.www1.hp.com/products/quickspecs/10772_na/10772_na.HTML)

HP StorageWorks SDLT 160/320 Tape Drive, External (Carbon)	257319-001
--	------------

**NOTE:** Please see the [SDLT 160/320-GB Tape Drive QuickSpecs](#) for additional options such as adapters, controllers, and media, and for an up-to-date listing of the latest O/S Support details, please see the following:

[http://h18000.www1.hp.com/products/quickspecs/11406\\_na/11406\\_na.HTML](http://h18000.www1.hp.com/products/quickspecs/11406_na/11406_na.HTML)

#### **Rackmount Tape Drive Kits**

3U Rackmount Kit	274338-B21
------------------	------------

**NOTE:** The 3U Rackmount Kit (PN 274338-B21) can support up to (2) full-height or (4) half-height tape drives and compatible with multiple Single-Ended and LVD SCSI Tape Drives including the DAT 24, DAT 40, DAT 72, DLT 40/80, DLT VS 40/80 and the SDLT 110/220-GB, SDLT 160/320-GB, Ultrium 215, Ultrium 230, and Ultrium 460 Tape Drives.

5U Rackmount Kit	274339-B21
------------------	------------

**NOTE:** The 5U Rackmount Kit (PN 274339-B21) can support up to (4) full-height tape drives and is compatible with all DLT/SDLT tape drives including the 20/40-GB DLT, 35/70-GB DLT, 40/80-GB DLT, SDLT 110/220-GB and the SDLT 160/320-GB tape drives. Also supported are the Ultrium 230 and Ultrium 460 tape drives.

**NOTE:** Please see the [Rackmount Tape Drive Kits QuickSpecs](#) for additional information regarding these kits, please see the following:

[http://h18000.www1.hp.com/products/quickspecs/10854\\_na/10854\\_na.HTML](http://h18000.www1.hp.com/products/quickspecs/10854_na/10854_na.HTML)

#### **Rackmount Tape Drive Cable Kits**

LVD Cable Kit, VHDCI/HD68	168048-B21
---------------------------	------------

**NOTE:** For use with the 3U Rackmount Kit and 5U Rackmount Kit only.

LVD Cable Kit, HD68/HD68	242381-B21
--------------------------	------------

**NOTE:** For use with the 3U Rackmount Kit and 5U Rackmount Kit only.

### Tape Automation

#### **StorageWorks ESL9000 Enterprise System Library**

##### **ESL9322L1 - LTO Ultrium and ESL9322 based enterprise library with up to 8 drives and 222, 322 slots**

ESL9322L1 222 slot 0 DRV LTO1	330832-B21
-------------------------------	------------

##### **ESL9595 and ESL9595 LTO Libraries**

ESL9595 400 slot, zero drives	330833-B21
-------------------------------	------------

**NOTE:** Please see the [StorageWorks ESL9322 Enterprise Library QuickSpecs](#) for additional information including Tape Drives, Cartridges, Controllers, and SCSI Cables and additional options needed for a complete solution at:

[http://h18000.www1.hp.com/products/quickspecs/11628\\_na/11628\\_na.HTML](http://h18000.www1.hp.com/products/quickspecs/11628_na/11628_na.HTML)

##### **ESL9322: Common Options**

ESL9322, slot upgrade 222 to 322 slots	293588-B21
--	------------

##### **ESL9595: Common Options**

ESL 9000 400 to 500 slot upgrade	330842-B21
----------------------------------	------------

ESL 9000 500 to 595 slot upgrade	330842-B22
----------------------------------	------------

ESL 9000 400 to 595 slot upgrade	330842-B23
----------------------------------	------------

ESL9000 222 to 322 slot upgrade	330840-B21
---------------------------------	------------

##### **Add-on drives & Accessories**

### Options

ESL9000 LVD SDLT 160/320 Drive upgrade (ESL9595S2 and ESL9322S2 only)	293414-B21
ESL9000 LTO2 Upgrade Drive	330834-B21
ESL9000 LTO1 drive upgrade (ESL9322L1 and ESL9595L1 only)	301930-B21
ESL9000 Universal Load Port (support both LTO & SDLT cartridges) Not removable	302254-B21
ESL9000 Field Upgrade SDLT 110/220, LVD Drive (ESL9198SL, ESL9326SL, ESL9595SL only)	234617-B21
ESL9000 Field Upgrade SDLT 110/220, HVD Drive (for existing ESL9326D/DX customers)	234617-B22
LVD Extender Kit for ESL9198DLX, ESL9198SL, ESL9326SL	221249-B21

#### **StorageWorks MSL6000 and MSL5000 mainstream tape libraries**

##### **MSL6060L1 - LTO Ultrium 1 based mainstream library up to 4 drives and 60 slots**

MSL6060, 0 DRV, Ultrium 460, RM Library	331196-B23
MSL6060, 2 DRV, Ultrium 460, RM Library	331196-B21
MSL6060, 2 DRV, Ultrium 460, embedded Fibre, RM Library	331196-B22

**NOTE:** Please see the StorageWorks MSL6060 LTO Library QuickSpecs for additional information including Upgrade Kits, Accessories, and SCSI Cable Kits and additional options needed for a complete solution at:

[http://h18000.www1.hp.com/products/quickspecs/11608\\_na/11608\\_na.HTML](http://h18000.www1.hp.com/products/quickspecs/11608_na/11608_na.HTML)

##### **MSL5060L1 - LTO Ultrium 1 based mainstream library up to 4 drives and 60 slots**

MSL5060, 0 DRV, Ultrium 230, RM Library	301899-B21
MSL5060, 2 DRV, Ultrium 230, RM Library	301899-B22
MSL5060, 2 DRV, Ultrium 230, embedded Fibre, RM Library	301899-B23

**NOTE:** Please see the StorageWorks MSL5060 LTO Library QuickSpecs for additional information including Upgrade Kits, Accessories, and SCSI Cable Kits and additional options needed for a complete solution at:

[http://h18000.www1.hp.com/products/quickspecs/11438\\_na/11438\\_na.HTML](http://h18000.www1.hp.com/products/quickspecs/11438_na/11438_na.HTML)

##### **MSL5052S2 - SDLT160 based mainstream library up to 4 drives and 52 slots**

MSL5052S2, 0 DRV, SDLT 160/320, RM Library	255102-B21
MSL5052S2, 2 DRV, SDLT 160/320, RM Library	293474-B21
MSL5052S2, 2 DRV, SDLT 160/320, RM Library with embedded Fibre	293474-B24

**NOTE:** Please see the StorageWorks MSL5052S2 Library QuickSpecs for additional information including Upgrade Kits, Accessories, and SCSI Cable Kits and additional options needed for a complete solution at:

[http://h18000.www1.hp.com/products/quickspecs/11442\\_na/11442\\_na.HTML](http://h18000.www1.hp.com/products/quickspecs/11442_na/11442_na.HTML)

##### **MSL6030 - LTO Ultrium 1 based mainstream library up to 4 drives and 60 slots**

MSL6030, 0 DRV, RM Library	330731-B21
MSL6030, 1 DRV, LTO Ultrium 460, RM Library	330731-B22
MSL6030, 2 DRV, LTO Ultrium 460, RM Library	330731-B23
MSL6030, 1 DRV, LTO Ultrium 460, embedded Fibre, RM Library	330731-B24
MSL 6030, 2 DRV, LTO Ultrium 460, embedded Fibre, RM Library	330731-B25

**NOTE:** Please see the StorageWorks MSL6030 LTO Library QuickSpecs for additional information including Upgrade Kits, Accessories, and SCSI Cable Kits and additional options needed for a complete solution at:

[http://h18000.www1.hp.com/products/quickspecs/11625\\_na/11625\\_na.HTML](http://h18000.www1.hp.com/products/quickspecs/11625_na/11625_na.HTML)

##### **MSL5030L1 - LTO Ultrium 1 mainstream library up to 2 drives and 30 slots**

MSL5030, 0 DRV, RM Library	301897-B21
MSL5030, 1 DRV, LTO Ultrium 230, RM Library	301897-B22
MSL5030, 2 DRV, LTO Ultrium 230, RM Library	301897-B23
MSL5030, 1 DRV, LTO Ultrium 230, embedded Fibre, RM Library	301897-B24
MSL 5030, 2 DRV, LTO Ultrium 230, embedded Fibre, RM Library	301897-B25

**NOTE:** Please see the StorageWorks MSL5030 LTO Library QuickSpecs for additional information including Upgrade Kits, Accessories, and SCSI Cable Kits and additional options needed for a complete solution at:

[http://h18000.www1.hp.com/products/quickspecs/11439\\_na/11439\\_na.HTML](http://h18000.www1.hp.com/products/quickspecs/11439_na/11439_na.HTML)

## Options

**MSL5026S2 - SDLT160 based mainstream library up to 2 drives and 26 slots**

MSL5026S2, 0 DRV, RM Library	293472-B21
MSL5026S2, 1 DRV, SDLT 160/320, RM Library	293472-B22
MSL5026S2, 2 DRV, SDLT 160/320, RM Library	293472-B23
MSL5026S2, 1 DRV, SDLT 160/320, RM Library with embedded Fibre	293472-B24
MSL5026S2, 2 DRV, SDLT 160/320, RM Library with embedded Fibre	293472-B25

**NOTE:** Please see the StorageWorks MSL5026SL Library QuickSpecs for additional information including Upgrade Kits, Accessories, and SCSI Cable Kits and additional options needed for a complete solution at:

[http://h18000.www1.hp.com/products/quickspecs/11453\\_na/11453\\_na.HTML](http://h18000.www1.hp.com/products/quickspecs/11453_na/11453_na.HTML)

**MSL5026SL Graphite - SDLT110 based mainstream library up to 2 drives and 26 slots**

MSL5026SL, 1 DRV SDLT RM, graphite	302512-B21
MSL5026SL, 2 DRV SDLT RM, graphite	302512-B22

**NOTE:** Please see the StorageWorks MSL5026SL Graphite Library QuickSpecs for additional information including Upgrade Kits, Accessories, and SCSI Cable Kits and additional options needed for a complete solution at:

[http://h18000.www1.hp.com/products/quickspecs/11440\\_na/11440\\_na.HTML](http://h18000.www1.hp.com/products/quickspecs/11440_na/11440_na.HTML)

**MSL5026DLX- 40/80GB DLT based mainstream library up to 2 drives and 26 slots**

MSL5026DLX, 1 40/80GB DLT, LVD, RM	231891-B21
MSL5026DLX, 2 40/80GB DLT, LVD, RM	231891-B22

**NOTE:** Please see the StorageWorks MSL5026DLX Library QuickSpecs for additional information including Upgrade Kits, Accessories, and SCSI Cable Kits and additional options needed for a complete solution at:

[http://h18000.www1.hp.com/products/quickspecs/10860\\_na/10860\\_na.HTML](http://h18000.www1.hp.com/products/quickspecs/10860_na/10860_na.HTML)

**MSL6000 and MSL5000 Add-on drives & accessories**

MSL5000 SDLT 160/320 Upgrade DRV (MSL5052S2 & MSL5026S2 only)	293475-B21
MSL Ultrium 460 upgrade drive in hot plug canister	
MSL5000 LTO Ultrium 1 Upgrade DRV (MSL5060L1 & MSL5030L1 only)	301901-B21
MSL5000 SDLT 110/220 Upgrade DRV	231823-B22
MSL5000 40/80GB DLT Upgrade DRV	231823-B21
MSL5000 Dual Magazine LTO (2 X 15 slot magazines)	301902-B21
MSL5000 Dual Magazine DLT (2 X 13 slot magazines)	232136-B21
MSL Universal Pass-Through mechanism	304825-B21
MSL5026, 5U Pass-Through extender (required one for each unit connected to the stack, for third and additional units) - for MSL5026 & MSL5030	231824-B22
MSL5052, 10U Pass-Through Extender (required one for each unit connected to the stack, for third and additional units) - for MSL5052 & MSL5060	231824-B23

**DAT Autoloader**

HP StorageWorks DAT40x6 Tape Autoloader for ProLiant, External (Flint)	Q1551A
HP StorageWorks DAT40x6 Tape Autoloader for Open Connect, External (Flint) WW	C5717C
HP StorageWorks DAT40x6 Tape Autoloader for ProLiant, External (Flint)	Q1552A

**NOTE:** Please see the DAT40x6 Tape Autoloader QuickSpecs for additional options such as host bus adapters, controllers, cassettes, and for an up-to-date listing of the latest O/S Support details, please see the following:

[http://h18006.www1.hp.com/products/quickspecs/11785\\_na/11785\\_na.html](http://h18006.www1.hp.com/products/quickspecs/11785_na/11785_na.html)

**HP StorageWorks 1/8 Autoloader**

HP StorageWorks 1/8 Autoloader, Rackmount kit	C9266R
HP StorageWorks 1/8 Autoloader, Tabletop, Ultrium 230	C9572CB
HP StorageWorks 1/8 Autoloader, Tabletop, DLTVS80	C9264CB

**SSL1016 tape autoloader**

SSL1016 DLT1 tape autoloader (includes two 8-cartridge magazines and a barcode reader)	330815-B21
--	------------

### Options

**NOTE:** Please see the SSL1016 SDLT160/320 tape autoloader Quick Specs for additional information:

[http://h18000.www1.hp.com/products/quickspecs/11626\\_na/11626\\_na.HTML](http://h18000.www1.hp.com/products/quickspecs/11626_na/11626_na.HTML)

SSL1016 Ultrium 460 tape autoloader

330821-B21

**NOTE:** Please see the SSL1016 SDLT160/320 tape autoloader Quick Specs for additional information:

[http://h18006.www1.hp.com/products/quickspecs/11704\\_na/11704\\_na.HTML](http://h18006.www1.hp.com/products/quickspecs/11704_na/11704_na.HTML)

SSL1016 SDLT160/320 tape autoloader (includes two 8-cartridge magazines and a barcode reader)

330816-B21

**NOTE:** Please see the SSL1016 SDLT160/320 tape autoloader Quick Specs for additional information:

[http://h18006.www1.hp.com/products/quickspecs/11609\\_na/11609\\_na.HTML](http://h18006.www1.hp.com/products/quickspecs/11609_na/11609_na.HTML)

#### Magento-Optical Jukeboxes

#### Mid-range Jukebox

StorageWorks Optical 300mx, 2 drive, 32 slot jukebox

C1150M

StorageWorks Optical 600mx, 4 drive, 64 slot jukebox

C1160M

StorageWorks Optical 700mx, 2 drive, 76 slot jukebox

C1170M

#### HP StorageWorks Modular Smart Array 500

HP StorageWorks Modular Smart Array 500

201724-B21

Modular Smart Array 500 Starter Kit

351504-B21

(includes Modular Smart Array 500 and 2 SA-532 Adapters)

Modular Smart Array 500 High Availability Kit

351281-B21

(includes Modular Smart Array 500 controller, 4-port IO Module, Smart Array Multipath Software and 2 SA-532 Adapters)

Modular Smart Array 500 Controller

218252-B21

128-MB Cache Module for Smart Array Controller

153506-B21

**NOTE:** 128-MB Cache Module for Smart Array Controller (PN 153506-B21) is an upgrade cache module (128 MB Standard) for Modular Smart Array 500 Controller.

256-MB Battery-Backed Cache Module

254786-B21

**NOTE:** Please see the Modular Smart Array 500 QuickSpecs for additional information including configuration steps and additional options needed for a complete solution at:

[http://h18000.www1.hp.com/products/quickspecs/11050\\_na/11050\\_na.HTML](http://h18000.www1.hp.com/products/quickspecs/11050_na/11050_na.HTML)

### Options

<b>Cluster Options</b>	ProLiant Cluster HA/F100 for HP Modular Smart Array 1000	252408-B24
	ProLiant Cluster HA/F200 for Modular Smart Array 1000	252409-B24
	<b>NOTE:</b> For additional information regarding the ProLiant Cluster for HA/F100, HA/F200 for Modular Smart Array 1000 please see the following QuickSpecs at: <a href="http://h18000.www1.hp.com/products/quickspecs/11035_na/11035_na.html">http://h18000.www1.hp.com/products/quickspecs/11035_na/11035_na.html</a>	
	ProLiant Cluster HA/F500 Enhanced Kit for Enterprise Virtual Array	254623-B24
	ProLiant Cluster HA/F500 Basic Kit for Enterprise Virtual Array	313047-B23
	<b>NOTE:</b> For additional information regarding the ProLiant Cluster HA/F500 for Enterprise Virtual Array please see the following QuickSpecs at: <a href="http://h18000.www1.hp.com/products/quickspecs/11055_na/11055_na.html">http://h18000.www1.hp.com/products/quickspecs/11055_na/11055_na.html</a>	
	ProLiant Cluster HA/F500 for MA8000 Enhanced Kit	379937-B27
	ProLiant Cluster HA/F500 for MA8000 Enhanced DT Kit	164227-B25
	<b>NOTE:</b> For additional information regarding the ProLiant Cluster for HA/F500 for MSA8000 please see the following QuickSpecs at: <a href="http://h18000.www1.hp.com/products/quickspecs/10232_na/10232_na.html">http://h18000.www1.hp.com/products/quickspecs/10232_na/10232_na.html</a>	
	HP Serviceguard for Linux ProLiant Cluster A.11.14 for Red Hat EL 2.1 (2 node license cluster kit)	305199-B22
	<b>NOTE:</b> Kit includes 2 licenses, documentation and an Ethernet crossover cable.	
	HP Serviceguard for Linux ProLiant Cluster A.11.15 for UnitedLinux 1.0 (2 node license cluster kit)	305199-B23
	<b>NOTE:</b> Kit includes 2 licenses, documentation and an Ethernet crossover cable.	
	HP Serviceguard for Linux License A.11.14 for Red Hat EL 2.1 (single license version)	307754-B22
	<b>NOTE:</b> Kit includes single license version and documentation.	
	HP Serviceguard for Linux License A.11.15 for UnitedLinux 1.0 (single license version)	307754-B23
	<b>NOTE:</b> Kit includes single license version and documentation.	
	<b>NOTE:</b> For additional information regarding the HP Serviceguard for Linux License, please see the following QuickSpecs at: <a href="http://h18000.www1.hp.com/products/quickspecs/11518_na/11518_na.html">http://h18000.www1.hp.com/products/quickspecs/11518_na/11518_na.html</a>	
	PDC/O5000-EVA Windows RAC Cluster Kit	252478-B24
	ProLiant Parallel Database Cluster for Linux - Oracle9i Real Application Cluster	308225-B22
<b>NOTE:</b> For additional information regarding the ProLiant Parallel Database Cluster for Linux, please see the following QuickSpecs at: <a href="http://www5.compaq.com/products/quickspecs/11688_na/11688_na.html">http://www5.compaq.com/products/quickspecs/11688_na/11688_na.html</a>		
HP Parallel Database Cluster Model PDC/O2000-MSA1000 for Oracle Real Application Cluster on Windows	279406-B24	
<b>NOTE:</b> For additional information regarding the HP Parallel Database Cluster Model PDC/O2000-MSA1000, please see the following QuickSpecs at: <a href="http://h18000.www1.hp.com/products/quickspecs/10889_na/10889_na.html">http://h18000.www1.hp.com/products/quickspecs/10889_na/10889_na.html</a>		
<b>External Storage - Rack</b>	HP StoraWorks Modular Smart Array 30 SB	302969-B21
	HP StoraWorks Modular Smart Array 30 DB	302970-B21
	StorageWorks Enclosure Model 4314R (rack-mountable)	190209-001
	StorageWorks Enclosure Model 4354R (rack-mountable)	190211-001
	StorageWorks Enclosure Tower to Rack Conversion Kit	150213-B21
	Ultra320 Single Bus I/O Module for Modular Smart Array 30	287484-B21
	Ultra320 Dual Bus I/O Module for Modular Smart Array 30	287483-B21

### Options

<b>HP StorageWorks Modular Smart Array 1000</b>	HP StorageWorks Modular Smart Array 1000	201723-B22
	Modular Smart Array 1000 Controller	218231-B22
	Modular Smart Array Fibre Channel I/O Module	218960-B21
	Modular Smart Array 1000 Fabric Switch	218232-B21
	Modular Smart Array 1000 Fibre Channel Adapter (FCA) 2101	245299-B21
	Modular Smart Array hub 2/3	286763-B21

**NOTE:** Please see the StorageWorks Modular SAN Array 1000 QuickSpecs for additional options and configuration information at:

[http://www5.compaq.com/products/quickspecs/11033\\_na/11033\\_na.HTML](http://www5.compaq.com/products/quickspecs/11033_na/11033_na.HTML)

<b>Network Storage Router</b>	M2402 2FCX 4SCSI LVD Network Storage Router	262653-B21
	M2402 2FCX 4SCSI HVD Network Storage Router	262654-B21
	M2402 4 channel LVD SCSI Module	262659-B21
	M2402 4 channel HVD SCSI Module	262660-B21
	M2402 2 channel FC Module	262661-B21
	MSL5000 Embedded Router Fibre Option Kit - Graphite	262672-B21
	MSL5026 Embedded Router Fibre Option Kit - Opal	286694-B21

<b>StorageWorks Modular Array 8000/Enterprise Modular Array 12000</b>	EMA12000 D14 60Hz	175990-B21
	EMA12000 S14 60Hz	175991-B21
	MA8000 60Hz	175992-B21
	EMA12000 Blue 60Hz	175993-B21

**NOTE:** Options include controller, solution kits, ACS. MA8000/EMA12000 includes controller shelf, drive shelves, and cabinet. Packaging upgrade to RA8000/ESA12000.

**NOTE:** Please see the StorageWorks MA8000/EMA12000 QuickSpecs for FC Hubs, FC switches, platform software, host adapters, disks and options for complete solutions at:

[http://h18000.www1.hp.com/products/quickspecs/10545\\_na/10545\\_na.HTML](http://h18000.www1.hp.com/products/quickspecs/10545_na/10545_na.HTML)

<b>StorageWorks Enterprise Modular Array 16000 FC</b>	EMA16000 D14 60Hz (opal)	238792-B21
	EMA16000 S14 60Hz (opal)	238791-B21

**NOTE:** Models include: Dual HSG80 controllers in each Model 2200 enclosure (2 pairs per single bus configuration, 4 pairs per dual bus configuration) with 1GB cache per controller pair, and 12 14-bay drive enclosures with redundant power supplies. Configure-to-Order (CTO) builds are available. Options include ACS, platform kits and software by HP.

**NOTE:** Please see the StorageWorks EMA16000 QuickSpecs for FC switches, platform software, host adapters, disks and options for complete solutions at:

[http://h18000.www1.hp.com/products/quickspecs/10812\\_na/10812\\_na.HTML](http://h18000.www1.hp.com/products/quickspecs/10812_na/10812_na.HTML)

<b>StorageWorks Options</b>	StorageWorks Director 2/64	286809-B21
	<b>NOTE:</b> Please see the StorageWorks Director 2/64 QuickSpecs for additional information: <a href="http://h18000.www1.hp.com/products/quickspecs/11003_na/11003_na.HTML">http://h18000.www1.hp.com/products/quickspecs/11003_na/11003_na.HTML</a>	
	StorageWorks SAN Switch 2/8-EL	322120-B21
	StorageWorks SAN Switch 2/8-EL Upgrade	325888-B21
	StorageWorks SAN Switch 2/16	322118-B21
	StorageWorks SAN Switch 2/16-EL Upgrade	288250-B21

### Options

**UPS and PDU Power Cord Matrix** *Please see the UPS and PDU cable matrix that lists cable descriptions, requirements, and specifications for UPS and PDU units:*

<ftp://ftp.compaq.com/pub/products/servers/ProLiantstorage/power-protection/powercordmatrix.pdf>.

<b>Uninterruptible Power Systems – Rack</b>	HP UPS R1500 XR (1440VA, 1340 Watt), Low Voltage	204404-001
	HP UPS R3000 XR (2880VA, 2700 Watt), Low Voltage	192186-001
	HP UPS R3000 XR (3000VA, 2700 Watt), High Voltage	192186-002
	Rack-Mountable UPS R6000 (6000VA, 6000 Watt) High Voltage	347207-001
	HP UPS R12000 XR N+x (200-240V) (hardwired)	207552-B22

**NOTE:** UPS R6000 has a hardwired input; and the UPS R12000 XR has a hardwired input and output connection.

<b>UPS Options</b>	SNMP Serial Port Card	192189-B21
	<b>NOTE:</b> Supports tower and rack UPS XR models. This card does not support the 500, 700, and 6000VA UPSs (non-XR models)	
	Six Port Card	192185-B21
	<b>NOTE:</b> Supports tower and rack UPS XR models. This card does not support the 500, 700, and 6000VA UPSs (non-XR models)	
	High to Low Voltage Transformer (250VA)	388643-B21
	<b>NOTE:</b> Supports R6000 UPS series only. 2.5 amps @ 125 Volts max output across two NEMA 5-15.	
	Extended Runtime Module, R1500 XR, 2U	218971-B21
	<b>NOTE:</b> 2U each, two ERM maximum.	
	Extended Runtime Module, R3000 XR, 2U	192188-B21
	<b>NOTE:</b> 3U each, one ERM maximum.	
	Extended Runtime Module, R6000, 3U	347224-B21
	<b>NOTE:</b> 3U each, two ERM maximum.	
	Extended Runtime Module, R12000 XR, 4U	217800-B21
	<b>NOTE:</b> 4U each, one ERM maximum.	
	R12000 XR BackPlate Receptacle Kit, (2) L6-30R	325361-001
<b>NOTE:</b> The R12000 XR BackPlate Kit has a hardwired input.		
R12000 XR BackPlate Receptacle Kit, (2) IEC-309R	325361-B21	
<b>NOTE:</b> The R12000 XR BackPlate Kit has a hardwired input.		
>SNMP-EN Adapter	347225-B21	
<b>NOTE:</b> Supports R6000 UPS series only.		
Multi-Server UPS Card	123508-B21	
<b>NOTE:</b> Supports R6000 UPS series only.		
Scalable UPS Card	123509-B21	
<b>NOTE:</b> Supports R6000 UPS series only.		

### Options

<b>Modular Power</b>	HP Modular Power Distribution Units (mPDU), Low Volt Model, 24A (100-127 VAC)	252663-D71
<b>Distribution Units - 1U0U</b> (Up to 32 outlets) <b>NOTE:</b> 1U/0U mounting brackets shipped with the unit (optimized for 10000 and 9000 series racks).	<b>NOTE:</b> This mPDU (252663-D71) may also be used to connect the low volt model of the UPS R3000 XR. HP Modular Power Distribution Units (mPDU), High Volt Model, 24A (200-240 VAC)	252663-D72
	HP Modular Power Distribution Units (mPDU), High Volt Model, 40A (200-240 VAC) <b>NOTE:</b> This mPDU (252663-B21), 40A model has a hardwired input.	252663-B21
	HP Modular Power Distribution Units (mPDU), High Volt Model, 16A (200-240 VAC) <b>NOTE:</b> This PDU has a detachable input power cord and allows for adaptability to country specific power requirements. This model may also be used with the high volt UPSs R3000 XR and R6000 For North America, need to order cable PN 340653-001. <b>NOTE:</b> Please see the following Modular Power Distribution Unit (Zero-U/1U Modular PDUs) QuickSpecs for additional options including shorter jumper cables and country specific power cords: <a href="http://h18000.www1.hp.com/products/quickspecs/11041_na/11041_na.HTML">http://h18000.www1.hp.com/products/quickspecs/11041_na/11041_na.HTML</a>	252663-B24
<b>Power Distribution Unit Options</b>	Third Party Modular Power Distribution Unit Mounting Kit <b>NOTE:</b> This kit allows you to mount the Modular Power Distribution Units in racks other than the 9000/10000 Series racks (any racks using the standard 19"rail). For more details please refer the Modular Power Distribution Unit QuickSpecs.	310777-B21
	4.5' IEC C 13 to IEC C14 Power Distribution Unit Jumper Cable (1 per pack)	142257-006
	4.5' IEC C 13 to IEC C14 Power Distribution Unit Jumper Cable (15 per pack)	142257-007
<b>USB Options</b>	USB Easy Access Keyboard (Carbonite/Silver)	DC168B#ABA
	USB Optical Scroll Mouse (Carbonite)	DD441B
	USB 1.44-MB External Diskette Drive (Carbonite)	DC141B
<b>Rack Builder</b>	Please see the Rack Builder for configuration assistance at <a href="http://www.compaq.com/rackbuilder/">http://www.compaq.com/rackbuilder/</a> .	

### Options

<b>HP Rack 10000 Series</b> (Graphite Metallic)	HP S10614 (14U) Rack Cabinet - Shock Pallet	292302-B22
	HP 10842 (42U, 800mm wide) – Pallet	257415-B21
	HP 10842 (42U, 800mm wide) – Shock Pallet	257415-B22
	HP 10647 (47U) – Pallet	245160-B21
	HP 10647 (47U) – Crated	245160-B23
	HP 10642 (42U) – Pallet	245161-B21
	HP 10642 (42U) – Shock Pallet	245161-B22
	HP 10642 (42U) – Crated	245161-B23
	HP 10636 (36U) – Pallet	245162-B21
	HP 10636 (36U) – Shock Pallet	245162-B22
	HP 10636 (36U) – Crated	245162-B23
	HP 10622 (22U) – Pallet	245163-B21
	HP 10622 (22U) – Shock Pallet	245163-B22
	HP 10622 (22U) – Crated	245163-B23

**NOTE:** -B21 (pallet) used to ship empty racks shipped on a truck

-B22 (shock pallet) used to ship racks with equipment installed (by custom systems, VARs and Channels)

-B23 (crated) used for air shipments of empty racks

**NOTE:** It is mandatory to use a shock pallet in order to ship racks with equipment installed.

**NOTE:** Please see the Rack 10000 QuickSpecs for Technical Specifications such as height, width, depth, weight, and color:

[http://h18000.www1.hp.com/products/quickspecs/10995\\_na/10995\\_na.HTML](http://h18000.www1.hp.com/products/quickspecs/10995_na/10995_na.HTML)

**NOTE:** For additional information regarding Rack Cabinets, please see the following URL:

<http://h18000.www1.hp.com/products/servers/proliantstorage/rack-options/index.html>.

<b>Rack Options for HP Rack 10000 Series</b>	Rack Blanking Panels – Graphite (Multi)	253214-B26
	<b>NOTE:</b> Contains one each of 1U, 2U, 4U and 8U.	
	Rack Blanking Panels – Graphite (1U)	253214-B21
	<b>NOTE:</b> The Rack Blanking Panels (PN 253214-B21) contains 10 each of (1U).	
	Rack Blanking Panels – Graphite (2U)	253214-B22
	<b>NOTE:</b> The Rack Blanking Panels (PN 253214-B21) contains 10 each of (2U).	
	Rack Blanking Panels – Graphite (3U)	253214-B23
	<b>NOTE:</b> The Rack Blanking Panels (PN 253214-B21) contains 10 each of (3U).	
	Rack Blanking Panels – Graphite (4U)	253214-B24
	<b>NOTE:</b> The Rack Blanking Panels (PN 253214-B21) contains 10 each of (4U).	
	Rack Blanking Panels – Graphite (5U)	253214-B25
	<b>NOTE:</b> The Rack Blanking Panels (PN 253214-B21) contains 10 each of (5U).	
	800mm Wide Stabilizer Kit (Graphite)	255488-B21
	<b>NOTE:</b> Supported by the Rack 10842 cabinet only.	
	600mm Stabilizer Kit – Graphite	246107-B21
	Baying Kit for Rack 10000 series (Carbon)	248929-B21
	42U Side Panel – Graphite Metallic	246099-B21
	110V Fan Kit (Graphite)	257413-B21
	<b>NOTE:</b> Roof Mount Includes power cord with IEC320-C13 to Nema 5-15P.	
	220V Fan Kit (Graphite)	257414-B21
	<b>NOTE:</b> Roof Mount Includes power cord with IEC320-C13 to Nema 6-15P.	
	36U Side Panel – Graphite Metallic	246102-B21
	47U Side Panel – Graphite Metallic	255486-B21
9000/10000 Series Offset Baying Kit (42U)	248931-B21	

### Options

**NOTE:** This kit can be used to connect 9000 and 10000 series racks of the same U height together. Kit contents include hardware for connecting racks and a panel to cover the 100mm gap at the rear of the two racks.

**NOTE:** For additional information regarding Rack Options, please see the following URL:  
<http://h18000.www1.hp.com/products/servers/proliantstorage/rack-options/index.html>.

Ballast Option Kit 120672-B21

9000/10000 Series Offset Baying Kit (42U) 248931-B21

**NOTE:** This kit can be used to connect 9000 and 10000 series racks of the same U height together. Kit contents include hardware for connecting racks and a panel to cover the 100mm gap at the rear of the two racks.

**NOTE:** For additional information regarding Rack Cabinets, please see the following URL:  
<http://h18000.www1.hp.com/products/servers/proliantstorage/rack-options/index.html>

Rack Rail Adapter Kit (25" depth) 120675-B21

100 kg Sliding Shelf 234672-B21

Monitor/Utility Shelf - Graphite 253449-B21

Depth Adjustable Fixed Rail 332558-B21

Cable Management D-Rings Kit 168233-B21

Console Management Controller (CMC) Option Kit 203039-B21

Console Management Controller (CMC) Sensors Option Kit 203039-B22

Console Management Controller (CMC) Locking Option Kit 203039-B23

Console Management Controller (CMC) Smoke Sensors Option Kit 203039-B24

KVM USB Interface Adapter 336047-B21

Server Console Switch 1 x 4 port (100-230 VAC) 400336-001

Server Console Switch, 0 x 1 x 8 port 336044-B21

Server Console Switch, 0 x 2 x 16 port 336045-B21

IP Console Switch Box, 1 x 1 x 16 262585-B21

IP Console Switch Box, 3 x 1 x 16 262586-B21

IP Console Interface Adapter, 8 pack 262587-B21

IP Console Interface Adapter, 1 pack 262588-B21

IP Console Expansion Module 262589-B21

CPU to Server Console Cable, 12' 110936-B21

CPU to Server Console Cable, 3' 110936-B24

CPU to Server Console Cable, 7' 110936-B25

IP CAT5 Cable 3', 4 pack 263474-B21

IP CAT5 Cable 6', 8 pack 263474-B22

IP CAT5 Cable 12', 8 pack 263474-B23

IP CAT5 Cable 20', 4 pack 263474-B24

IP CAT5 Cable 40', 1 pack 263474-B25

Switch Box Connector Kit (115V) 144007-001

Switch Box Connector Kit (230V) 144007-002

Switch Box Connector Kit (high voltage) (Int'l) 144007-B33

TFT5600 Rack Keyboard Monitor 221546-001

Local Access Cable Kit 232985-B21

1U Rack Keyboard & Drawer (Carbon) 257054-001

**NOTE:** The 1U Rack Keyboard & Drawer (PN 257054-001) is to be used with the Keyboards for Racks with Trackball (PN 158649-001).

Input Device Adjustable Rails 287139-B21

**NOTE:** Input Device Adjustable Rails (287139-B21) are for use with the TFT5110R, TFT5600RKM and integrated keyboard/drawer which is used in mounting into third party racks.

Input Device Telco Rail 287138-B21

### Options

**NOTE:** Input Device Adjustable Rails (287138-B21) are for use ONLY with the TFT5110R, TFT5600RKM and integrated keyboard/drawer which is used in mounting into third party racks.

Keyboard/Monitor/Mouse extension cables 169989-001

**NOTE:** For additional information regarding Rack Options, please see the following URL:  
<http://h18000.www1.hp.com/products/servers/proliantstorage/rack-options/index.html>.

---

**Rack Options for Third Party Cabinet Racks** Round hole rack cabinet rail kit 293052-B21  
**NOTE:** Support for racks with round mounting holes (include HP Rack System /E and HP Systems) with an adjustment range of 24"- 36".

---

**HP Factory Express** **Factory Installation, Racking, and Customization Services**

Factory Express Server Configuration Level 1 293355-888  
**NOTE:** Free Installation of HP Options - Installation of HP Options memory, NICs, hard drives, controllers, processors, I/O cards, pre-install standard OEM OS image, and tape drives. Installation fees will apply to all non-HP certified hardware and asset tags.

Factory Express Server Configuration Level 2 266326-888  
**NOTE:** Includes Level 1 Customer Intent of a ProLiant server and options configuration, OS installation, custom image download, IP addressing, network setting, and custom packaging. Customer unique requirements (quick restore creation, cd duplication, test reports, real-time reporting of server MAC address, password, and RILOE). Customer access, validation and control through VPN (price/server).

Factory Express Rack Integration Level 3 with 1 - 3 servers or storage enclosures 325736-888  
 Factory Express Rack Integration Level 3 with 4 - 9 servers or storage enclosures 232539-888  
 Factory Express Rack Integration Level 3 with 10 or more servers or storage enclosures 325735-888  
**NOTE:** Includes Level 1 Customer Intent for standard mounted servers and storage units plus standard cable mgmt, RAID configuration, servers & storage, power distribution, networking gear and accessories (price/rack).

Factory Express Rack Integration Level 4 with 1 - 3 servers or storage enclosures 325734-888  
 Factory Express Rack Integration Level 4 with 4 - 9 servers or storage enclosures 232540-888  
 Factory Express Rack Integration Level 4 with 10 or more servers or storage enclosures 325733-888  
**NOTE:** Includes Level 2 Customer Intent plus customer defined cable management and naming convention, customer furnished image download, IP addressing, cluster configurations (SQL, External storage RAID). Quick restore creation, cd duplication, test reports, real-time reporting of server MAC address, password, RILOE). Customer access and validation through VPN (price/rack).

Factory Express Rack Integration Level 5 with 1 - 3 servers or storage enclosures 325732-888  
 Factory Express Rack Integration Level 5 with 4 - 9 servers or storage enclosures 232541-888  
 Factory Express Rack Integration Level 5 with 10 or more servers or storage enclosures 325731-888  
**NOTE:** Includes Level 4 Customer Intent plus Custom SW layering and extended test, Customer access, validation and control through VPN, Clustered racks with networking gear and / or external storage array, Start-up installation services custom quote. (price/rack).  
**NOTE:** Factory Express Engineered Solution Level 6 is a custom solutions available through Factory Express. Please contact your local reseller or Account Manager.

---

**Service and Support Offerings** (HP Care Pack Services)

**Hardware Services 4-Hour On-site Service**

4-Hour On-site Service 5-Day x 13-Hour Coverage, 3 Years (Canadian Part Number) FP-LO3EC-36  
 4-Hour On-site Service, 5-Day x 13-Hour, 3 Years (U.S. Part Number) 331066-002  
 4-Hour On-site Service, 7-Day x 24-Hour Coverage, 3 Years (Canadian Part Number) FP-LO7EC-36  
 4-Hour On-site Service, 7-Day x 24-Hour Coverage, 3 Years (U.S. Part Number) 162657-002

**Installation & Start-up Services**

Hardware Installation (Canadian Part Number) FP-LOINS-EC

---



### Options

Hardware Installation (U.S. Part Number)	401792-002
Installation & Start-Up of a ProLiant server and Microsoft O/S per the Customer Description and/or Data Sheet. To be delivered on a scheduled basis 8am-5pm, M-F, excl. HP holidays. (U.S. Part Number)	240014-002
Installation & Start-Up of a ProLiant server and Microsoft O/S per the Customer Description and/or Data Sheet. To be delivered on a scheduled basis 8am-5pm, M-F, excl. HP holidays. (Canadian Part Number)	FM-MSTEC-02
Installation & Start-Up of a ProLiant server and Linux O/S per the Customer Description and/or Data Sheet. To be delivered on a scheduled basis 8am-5pm, M-F, excl. HP holidays. (U.S. Part Number)	331072-002
Installation & Start-Up of a ProLiant server and Linux O/S per the Customer Description and/or Data Sheet. To be delivered on a scheduled basis 8am-5pm, M-F, excl. HP holidays. (Canadian Part Number)	FM-LSTEC-02
<b>Support Plus</b>	
Onsite HW support, 8am-9pm, M-F, 4hr response and Microsoft O/S SW Tech support offsite, onsite at HP's discretion, 8am-9pm, M-F 2hr response time excl. HP holidays. (U.S. Part Number)	239929-002
Onsite HW support, 8am-9pm, M-F, 4hr response and Microsoft O/S SW Tech support offsite, onsite at HP's discretion, 8am-9pm, M-F 2hr response time excl. HP holidays. (Canadian Part Number)	FM-M01E2-36
Onsite HW support, 8am-9pm, M-F, 4hr response and Linux O/S SW Tech support offsite, onsite at HP's discretion, 8am-9pm, M-F 2hr response time excl. HP holidays. (U.S. Part Number)	331070-002
Onsite HW support, 8am-9pm, M-F, 4hr response and Linux O/S SW Tech support offsite, onsite at HP's discretion, 8am-9pm, M-F 2hr response time excl. HP holidays. (Canadian Part Number)	FM-L01E2-36
<b>Support Plus 24</b>	
Onsite HW support 24x7, 4hr response and Microsoft O/S SW Tech support offsite, onsite at HP's discretion, 24x7 2hr response time incl. HP holidays. (U.S. Part Number)	239931-002
Onsite HW support 24x7, 4hr response and Microsoft O/S SW Tech support offsite, onsite at HP's discretion, 24x7 2hr response time incl. HP holidays. (Canadian Part Number)	FM-M02E2-36
Onsite HW support 24x7, 4hr response and Linux O/S SW Tech support offsite, onsite at HP's discretion, 24x7 2hr response time incl. HP holidays. (U.S. Part Number)	331071-002
Onsite HW support 24x7, 4hr response and Linux O/S SW Tech support offsite, onsite at HP's discretion, 24x7 2hr response time incl. HP holidays. (Canadian Part Number)	FM-L02E2-36
<b>HP Care Pack Priority Services for ProLiant Servers - Priority Silver</b>	
24 x 7 HW, 4-hr response, Named HW engineer; 24 x 7 Silver Software Support, 1-hr response, Monday - Friday, 8AM - 5PM local time, 2-hr response after hours for Windows NT, Windows 2000, Professional, Server or Advanced Server Operating System, Technical Account Manager, Technical Newsletter, SW activity review, proactive patch notification, 1 System Healthcheck per year (2-5-2 Part Number for Canada)	FM-M04E2-36
24 x 7 HW, 4-hr response, Named HW engineer; 24 x 7 Silver Subsequent System Support for Windows NT, Windows 2000, Professional, Server or Advanced Server Operating System (2-5-2 Part Number for Canada)	FM-M24E2-36
24 x 7 HW, 4-hr response, Named HW engineer; 24 x 7 Silver Software Support, 1-hr response, Monday - Friday, 8AM - 5PM local time, 2-hr response after hours for Novell NetWare Operating System, Technical Account Manager, Technical Newsletter, SW activity review (2-5-2 Part Number for Canada)	FM-N04E2-36
24 x 7 HW, 4-hr response, Named HW engineer; 24 x 7 Silver Subsequent System Support for Novell NetWare Operating System (2-5-2 Part Number for Canada)	FM-N24E2-36
24 x 7 HW, 4-hr response, Named HW engineer; 24 x 7 Silver Software Support, 1-hr response, Monday - Friday, 8AM - 5PM local time, 2-hr response after hours for Windows NT, Windows 2000, Professional, Server or Advanced Server Operating System, Technical Account Manager, Technical Newsletter, SW activity review, proactive patch notification, 1 System Healthcheck per year (6-3 Part Number for U.S.)	239933-002
24 x 7 HW, 4-hr response, Named HW engineer; 24 x 7 Silver Subsequent System Support for Windows NT, Windows 2000, Professional, Server or Advanced Server Operating System (6-3 Part Number for U.S.)	239935-002
24 x 7 HW, 4-hr response, Named HW engineer; 24 x 7 Silver Software Support, 1-hr response,	239973-002

### Options

Monday - Friday, 8AM - 5PM local time, 2-hr response after hours for Novell NetWare Operating System, Technical Account Manager, Technical Newsletter, SW activity review (6-3 Part Number for U.S.)

24 x 7 HW, 4-hr response, Named HW engineer; 24 x 7 Silver Subsequent System Support for Novell NetWare Operating System (6-3 Part Number for U.S.)

239975-002

**NOTE:** For more information, customer/resellers can contact  
<http://www.hp.com/services/carepack>.

### Memory

#### HP ProLiant Model DL380 Generation 3 (G3) 3.2 GHz and 3.06GHz Models

##### Standard Memory

1 GB PC2100 Registered DDR SDRAM DIMM Memory running at 266MHz comes installed (2 x 512-MB SDRAM)

##### Standard Memory Plus Optional Memory

Up to 9,216-MB memory is available with the optional installation of PC2100 Registered DDR SDRAM DIMM Memory Option Kit

##### Standard Memory Replaced with Optional Memory

Up to 12,288-MB of memory is available with the removal of the standard 512-MB of memory and the optional installation of PC2100 Registered DDR SDRAM DIMM Memory Option Kit

**NOTE:** Chart does not represent all possible configurations.

Memory		Slot					
		1	2	3	4	5	6
Standard	1024MB	512MB	512MB	Empty	Empty	Empty	Empty
Optional	9,216MB	512MB	512MB	2048MB	2048MB	2048MB	2048MB
Maximum	12,288MB	2048MB	2048MB	2048MB	2048MB	2048MB	2048MB

**NOTE:** In the online spare configuration, the ROM automatically configures the last populated back as the spare memory. If only banks A and B are populated, bank B is the spare bank. If banks A, B, and C are populated, bank C is the spare bank, Online spare memory is configured through RBSU.

Following are memory options available from HP:

- 4096MB of Advanced ECC PC2100 DDR SDRAM DIMM Memory Kit (2x 2048 MB) 300682-B21  
**NOTE:** The 4096MB of Advanced ECC PC2100 DDR Memory kit (300682-B21) can only be used in 3.06GHz and faster models.
- 2048-MB of Advanced ECC PC2100 DDR SDRAM DIMM Memory Kit (2x1024MB) 300680-B21
- 1024-MB of Advanced ECC PC2100 DDR SDRAM DIMM Memory Kit 2 x 512MB) 300679-B21
- 512-MB of Advanced ECC PC2100 DDR SDRAM DIMM Memory Kit (2 x 256MB) 300678-B21

#### HP ProLiant Model DL380 Generation 3 (G3) 2.8GHz and 2.4GHz Models

##### Standard Memory

512-MB PC2100 Registered DDR SDRAM DIMM Memory running at 200MHz comes installed (2 x 256-MB SDRAM)

##### Standard Memory Plus Optional Memory

Up to 4,608-MB memory is available with the optional installation of PC2100 Registered DDR SDRAM DIMM Memory Option Kit

##### Standard Memory Replaced with Optional Memory

Up to 6,144-MB of memory is available with the removal of the standard 256-MB of memory and the optional installation of PC2100 Registered DDR SDRAM DIMM Memory Option Kit

**NOTE:** Chart does not represent all possible configurations.

Memory		Slot					
		1	2	3	4	5	6
Standard	512MB	256MB	256MB	Empty	Empty	Empty	Empty
Optional	4,608MB	256MB	256MB	1024MB	1024MB	1024MB	1024MB
Maximum	6,144MB	1024MB	1024MB	1024MB	1024MB	1024MB	1024MB

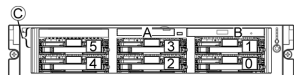
### Memory

**NOTE:** In the online spare configuration, the ROM automatically configures the last populated bank as the spare memory. If only banks A and B are populated, bank B is the spare bank. If banks A, B, and C are populated, bank C is the spare bank. Online spare memory is configured through RBSU.

Following are memory options available from HP:

- 2048-MB of Advanced ECC PC2100 DDR SDRAM DIMM Memory Kit (2x1024MB) 300680-B21
- 1024-MB of Advanced ECC PC2100 DDR SDRAM DIMM Memory Kit 2 x 512MB 300679-B21
- 512-MB of Advanced ECC PC2100 DDR SDRAM DIMM Memory Kit (2 x 256MB) 300678-B21

### Storage



- 0 - 5 Six 1" Wide Ultra3/Ultra320 SCSI hot plug hard drive bays
- A 1.44-MB Diskette Drive
- B 24x IDE CD-ROM (Universal Media Bay)
- C Six 1" Wide Ultra3/Ultra320 SCSI hot plug hard drives or for five hot plug hard drives and one DAT 40 or DAT 72 hot plug tape drive

### Drive Support

#### Removable Media

	Quantity Supported	Position Supported	Controller
1.44-MB Diskette Drive	1	A	Integrated
IDE CD-ROM Drive	1	B	Integrated IDE
Slimline DVD-ROM (8x24x) Option Kit (Servers)	1	B	Integrated IDE

#### Hard Drives

##### Ultra320 Hot Pluggable Drives

	Quantity Supported	Position Supported	Controller
<b>1-inch</b>	Up to 6	0-5	Smart Array 5i Controller (integrated on system board)
146.8-GB 10,000 rpm			Smart Array 532 Controller
72.8-GB 10,000 rpm			Smart Array 5302/128 Controller
36.4-GB 10,000 rpm			Smart Array 5304/256 Controller
72.8-GB 15,000 rpm			Smart Array 6402/128 Controller
36.4-GB 15,000 rpm			Smart Array 6404/256 Controller
18.2-GB 15,000 rpm			Smart Array 5312 Controller
			Smart Array 641 Controller
			Smart Array 642 Controller
			64-Bit/133-MHz Dual Channel Ultra320 SCSI Adapter
			64-Bit/66-MHz Dual Channel Wide Ultra3 SCSI Adapter, Alternate OS

**NOTE:** All U320 Universal Hard Drives are backward compatible to U2 or U3 speeds. U320 drives require an optional U320 Smart Array Controller or U320 SCSI HBA to support U320 transfer rates.

### Storage

#### External Storage

	Quantity Supported	Position Supported	Host Controller or Adapter
Modular Smart Array 30 Family	Up to 13	External	Smart Array 5302/128 Controller Smart Array 5304/256 Controller Smart Array 6402/128 Controller Smart Array 6404/256 Controller Smart Array 642 Controller 64-Bit/133-MHz Dual Channel Ultra320 SCSI Adapter 64-Bit/66-MHz Dual Channel Wide Ultra3 SCSI Adapter, Alternate OS
Modular Smart Array 500 System	1	External	Smart Array 532 Controller (used as Host Bus Adapter) Please see the Modular Smart Array 500 QuickSpecs for the latest list of supported HBAs: <a href="http://www.hp.com/go/msa500">http://www.hp.com/go/msa500</a>
Modular Smart Array 1000	Please see the Modular Smart Array 1000 QuickSpecs below to determine configuration requirements	External	Please see the Modular Smart Array 1000 QuickSpecs (URL below) for the latest list of supported HBAs
Modular Smart Array 1000: <a href="http://h18000.www1.hp.com/products/quickspecs/11033_na/11033_na.HTML">http://h18000.www1.hp.com/products/quickspecs/11033_na/11033_na.HTML</a>			

#### Maximum Storage Capacity – (StorageWorks Enclosure SCSI Attached)

Internal	880.8 GB (6 x 146.8 GB Ultra 320 1")
External	26.717 TB (13 x (14 x 146.8 GB Ultra 320 1"))
Total	27.598 TB

### Storage

#### Tape Drives

External Tape Drives & Tape Automation products are listed in the Options section.

**NOTE:** For an up-to-date listing of the latest O/S Support details for each of the Tape Drives listed below, please see the following:  
[http://h18000.www1.hp.com/products/quickspecs/North\\_America/10233.html](http://h18000.www1.hp.com/products/quickspecs/North_America/10233.html)

**NOTE:** For an up-to-date listing of the latest O/S Support details for each of the Tape Storage Systems listed below, please see the following:  
[http://h18000.www1.hp.com/products/quickspecs/North\\_America/10809.html](http://h18000.www1.hp.com/products/quickspecs/North_America/10809.html)

**NOTE:** Please see the Smart Array 5i Controller QuickSpecs for additional information regarding supported options at:  
[http://h18000.www1.hp.com/products/quickspecs/10890\\_NA/10890\\_NA.HTML](http://h18000.www1.hp.com/products/quickspecs/10890_NA/10890_NA.HTML)

	Quantity Supported	Position Supported	Controller
DAT 40, Internal Hot Plug DAT 72, Internal Hot Plug	Up to 3	0+1, 2+3, C	Smart Array 5i Controller (integrated on system board) Smart Array 532 Smart Array 5302/128 Controller Smart Array 5304/256 Controller Smart Array 6402/128 Controller Smart Array 6404/256 Controller Smart Array 641 Controller Smart Array 642 Controller 64-Bit/133-MHz Dual Channel Ultra320 SCSI Adapter Ultra320 Expansion Module for SA-6402
SSL1016 SDLT160/320 tape autoloader	Up to 2	External	64-Bit/133-MHz Dual Channel Ultra320 SCSI Adapter 64-Bit/66-MHz Dual Channel Wide Ultra3 SCSI Adapter, Alternate OS
Ultrium 215, External Ultrium 230, External Ultrium 460, External	Up to 2	External	64-Bit/133-MHz Dual Channel Ultra320 SCSI Adapter 64-Bit/66-MHz Dual Channel Wide Ultra3 SCSI Adapter, Alternate OS
SDLT 110/220-GB, External SDLT 160/320-GB, External	Up to 2	External	64-Bit/133-MHz Dual Channel Ultra320 SCSI Adapter 64-Bit/66-MHz Dual Channel Wide Ultra3 SCSI Adapter, Alternate OS
External DAT 72	2	External	64-Bit/133-MHz Dual Channel Ultra320 SCSI Adapter 64-Bit/66-MHz Dual Channel Wide Ultra3 SCSI Adapter, Alternate OS
External 40/80-GB DLT Enhanced	Up to 3	External	64-Bit/133-MHz Dual Channel Ultra320 SCSI Adapter 64-Bit/66-MHz Dual Channel Wide Ultra3 SCSI Adapter, Alternate OS
MSL5026DLX (40/80GB DLT-based) MSL5026SL (SDLT-based) Library MSL5052SL (SDLT-based) Library MSL5030L (LTO-based) Library MSL5060S (LTO-based) Library MSL6060L1 (Ultrium 460 - based) Library MSL6030 (LTO Ultrium - based) Library	2 drives per SCSI channel	External	64-Bit/133-MHz Dual Channel Ultra320 SCSI Adapter 64-Bit/66-MHz Dual Channel Wide Ultra3 SCSI Adapter, Alternate OS

### Power Specifications

<b>Part Number</b>	194989-001
<b>Spare Kit</b>	199382-B21
<b>Operational Input Voltage Range (V rms)</b>	90 to 264
<b>Frequency Range (Nominal) (Hz)</b>	47 to 63 (50/60)

<b>Nominal Input Voltage (Vrms)</b>	<b>100</b>	<b>115</b>	<b>208</b>	<b>220</b>	<b>230</b>	<b>240</b>
Max Rated Output Wattage Rating	400	400	400	400	400	400
Nominal Input Current (A rms)	5.8	5.0	2.7	2.5	2.4	2.3
Max Rated Input Wattage Rating (Watts)	571	563	548	541	541	541
Max. Rated VA (Volt-Amp)	583	575	559	552	552	552
Efficiency (%)	70	71	73	74	74	74
Power Factor	0.98	0.98	0.98	0.98	0.98	0.98
Leakage Current (mA)	0.31	0.36	0.65	0.69	0.72	0.75
Maximum Inrush Current (A peak)	50	50	50	50	50	50
Maximum Inrush Current duration	20	20	20	20	20	20

### System Specifications

#### ProLiant DL380 Generation 3 Fully Configured

Up to 2 Processors, 6 Memory Slots, 6 Hard Drives, 3 PCI Slots, and 2 Hot Plug Power Supplies

<b>Nominal Input Voltage (Vrms)</b>	<b>100</b>	<b>115</b>	<b>208</b>	<b>220</b>	<b>230</b>	<b>240</b>
<b>Fully Loaded System Input Wattage (W)</b>	431	411	406	400	395	390
<b>Fully Loaded System Input Current (A rms)</b>	4.3	3.6	2.0	1.9	1.8	1.7
<b>Fully Loaded System Thermal (BTU- Hr)</b>	1421	1401	1383	1365	1347	1330
<b>Fully Loaded System VA (Volt-Amp)</b>	425	419	414	408	403	398
<b>System Leakage with all power supplies loaded (mA)</b>	0.63	0.72	1.30	1.38	1.44	1.50
<b>System Inrush Current with all power supplies loaded (A)</b>	100	100	100	100	100	100
<b>Power cord requirements</b>	Nema 5-15P to IEC320-C13			Option no./Spare no.: See Chart below		
	IEC320-C13 to IEC320-C14			Option no./Spare no.: 142259-001/142258-B21		

#### NOTES:

\* To review typical system power ratings use the Active Answers Power Calculator which is available via the online tool located at URL: <http://h30099.www3.hp.com/configurator/powercalcs.asp>.

To drill down to calculators:

- Click on: "ProLiant Servers"
- Click on the Server of interest. Example: DL380 G3
- Click on: "Power Calculator" link. (You may need to scroll down to see it.)

<b>Power Cords (Nema 5-15P to IEC320-C13)</b>	
<b>Standard Power Cord Part Number/Option Power Cord Part Number</b>	163719-002/227099-001
<b>Power Cords (IEC320-C13 to IEC320-C14)</b>	
<b>Standard Power Cord Part Number/Option Power Cord Part Number</b>	142263-003/142257-003

### TechSpecs

<b>System Unit</b>	<b>Dimensions (HxWxD)</b>	3.38 x 17.50 x 25.75 in (8.59 x 44.45 x 65.41 cm)
	<b>Weight</b>	Maximum: 60 lb (27.22 kg) No drives: 47.18 lb (20.41 kg)
	<b>Input Requirements (per power supply)</b>	Range Line Voltage 90 to 132 VAC/180 to 265 VAC Nominal LineVoltage 100 to 120 VAC/220 to 240 VAC Rated Input Current 6A (110V) to 3A (220V) Rated Input Frequency 50 to 60 Hz Rated Input Power 600W
	<b>BTU Rating</b>	1,475 BTU/HR
	<b>SCSI Connectors</b>	One external VHDCI connector
	<b>Power Supply Output Power (per power supply)</b>	Rated Steady-State Power 400W Maximum Peak Power 400W
	<b>Temperature Range</b>	Operating 50° to 95° F (10° to 35° C) Shipping -40° to 158° F (-40° to 70° C)
	<b>Relative Humidity (non-condensing)</b>	Operating 10% to 90% Shipping 5% to 95%
	<b>Maximum Wet Bulb Temperature</b>	82.4° F (28° C)
	<b>Acoustic Noise</b>	Idle Minimum (Fixed Disk Drives Spinning) L WAd (BELS) 7.0 L pAm (dBA) 55 Operating Minimum (Random Seeks to Fixed Disks) L WAd (BELS) 7.0 L pAm (dBA) 55
	<b>Acoustic Noise</b>	Idle Maximum (Fixed Disk Drives Spinning) L WAd (BELS) 7.2 L pAm (dBA) 56 Operating Maximum (Random Seeks to Fixed Disks) L WAd (BELS) 7.3 L pAm (dBA) 57

### TechSpecs

<b>1.44-MB Diskette Drive</b>	<b>Size</b>	3.5 in (8.89 cm)		
	<b>LED Indicators</b> (front panel)	Green		
	<b>Read/Write Capacity per Diskette</b> (high/mid/low density)	1.44 MB/1.2 MB/720 KB formatted		
	<b>Drive Supported</b>	One		
	<b>Drive Height</b>	0.50 in (1.27 cm)		
	<b>Drive Rotation</b>	300/360/300 rpm		
	<b>Transfer Rate</b> (high/mid/low)	500/500/250 KB/s		
	<b>Bytes/Sector</b>	512		
	<b>Sectors/Track</b> (high/mid/low)	18/15/9		
	<b>Tracks/Side</b> (high/low)	80/80		
	<b>Access Times</b>	Track-to-Track (highmid//low)	3/3/6 ms	
		Average (high/mid/low)	174/94/94 ms	
		Settling Time	15 ms	
		Latency Average	100 ms /83.3 ms /100 ms	
	<b>Cylinders</b> (high/low)	80/80		
<b>Read/Write Heads</b>	Two			

### TechSpecs

<b>24X Max IDE CD-ROM Drive</b> (Universal Media Bay)	<b>Disk</b>	Applicable Disk	CD-DA, CD-ROM (Mode 1 and 2) CD-XA, CD-I (Mode 2, Form 1 and 2) CD-I Ready, CD Extra, Video CD, CD-Bridge Photo CD (Single and Multi-session) CD-WO
		Capacity	550 MB (Mode 1, 12 cm) 640 MB (Mode 2, 12 cm)
		Diameter	4.7 in, 3.15 in/12in, 8 cm
		Rotational Speed	4200 rpm maximum
		Center Hole	0.6 in/1.524 cm diameter
		Thickness	0.047 in/0.12 cm
		Track Pitch	1.6 µm
	<b>Block Size</b>	Mode 0	2,368, 2,352 bytes
		Mode 1	2,352, 2,340, 2,336, 2,048 bytes
		Mode 2	2,352, 2,340, 2,336, 2,048 bytes
	<b>Interface</b>	IDE (ATAPI)	
	<b>Access Times</b> (typical)	Random	< 140 ms
		Full-Stroke	< 300 ms
	<b>Data Transfer Rate</b>	Sustained	150 KB/s (sustained 1X)
		Burst	2100 to 4800 KB/s
	<b>Cache Buffer</b>	128 KB	
	<b>Start-up Time</b> (typical)	< 10 seconds	
	<b>Stop Time</b>	< 5 seconds	
	<b>Operating Conditions</b>	Temperature	41° to 120° F (5° to 55° C)
		Humidity	10% to 80%
	<b>Dimensions</b>	(HxWxD, maximum)	0.51 x 5.24 x 5.2 in (1.3 x 13.31 x 13.21 cm)
	Weight	< 340 g	

### TechSpecs

<b>Integrated Smart Array 5i Plus Controller</b>	<b>Data Compatible with all Smart Array Controllers</b>	Yes
	<b>Instant Upgrades to other Smart Array Controllers</b>	Yes
	<b>Consistent Software Manageability Tools</b>	Yes
	<b>PCI-X Bus</b>	64-bit, 100 MHz (integrated on system board)
	<b>PCI-X Peak Data Transfer Rate</b>	800 MB/s
	<b>SCSI Protocols Supported</b>	Ultra3, Ultra2
	<b>SCSI Peak Data Transfer Rate</b>	160 MB/s per channel <b>NOTE:</b> For ProLiant servers having TWO internal drive bays on separate SCSI ports: SCSI Peak Data Transfer Rate is 320 MB/s total; 160 MB/s per channel and Channels is 2.
	<b>Channels</b>	2 <b>NOTE:</b> For ProLiant servers having two internal drive bays on separate SCSI ports: SCSI Peak Data Transfer Rate is 320 MB/s total; 160 MB/s per channel and Channels is 2.
	<b>SCSI Ports</b> (external/internal)	0/2 <b>NOTE:</b> For ProLiant servers having two internal drive bays on separate SCSI ports: SCSI Peak Data Transfer Rate is 320 MB/s total; 160 MB/s per channel and Channels is 2.
	<b>Drives Supported</b> (maximum)	Maximum = total number of drives <b>NOTE:</b> Maximum is the total number of internal drives on each specific ProLiant server.
	<b>Cache</b>	64 MB Read and/or Write Cache
	<b>Battery-Backed Write Cache</b>	Yes, with installation of Battery-Backed Write Cache Enabler, up to 64MB
	<b>RAID Support</b>	0, 1, 1+0, 5
	<b>Logical Drives</b> (maximum)	Maximum = total number of drives
	<b>Online Configuration</b>	Yes
	<b>Online Capacity Expansion</b>	Yes
	<b>Logical Drive Capacity Extension</b>	Yes
	<b>Online Stripe Size Migration</b>	Yes
	<b>Online RAID Level Migration</b>	Yes
	<b>Online Spare Support</b>	Yes
	<b>Automatic Data Recovery</b>	Yes
	<b>Drive Roaming</b>	Yes
	<b>Redundant Controllers</b>	No

### TechSpecs

<b>NC7781 PCI-X Gigabit NIC</b> (embedded) <b>10/100/1000 WOL</b> (Wake On LAN)	<b>Network Interface</b>	10Base-T/100Base-TX/1000 BaseTX	
	<b>Compatibility</b>	IEEE 802.3/802.3u compliant	
	<b>Data Transfer Method</b>	64-bit bus-master PCI-X	
	<b>Network Transfer Rate</b>	10Base-T (Half-Duplex),	10 Mb/s
		10Base-T (Full-Duplex)	20 Mb/s
		100Base-TX (Half-Duplex)	100 Mb/s
		100Base-TX (Full-Duplex)	200 Mb/s
		1000Base-TX (Half-Duplex)	1000 Mb/s
		1000Base-TX (Full-Duplex)	2000 Mb/s
	<b>Connector</b>	RJ-45	
<b>Cable Support</b>	10Base-T	Categories 3, 4 or 5 UTP; up to 328 ft (100 m)	
	100Base-TX	Category 5 UTP; up to 328 ft (100 m)	
	1000BaseTX	Category 5 UTP; up to 328 ft (100 m)	

<b>Video Controller</b>	<b>Controller Chip</b>	ATI RAGE XL	
	<b>Video DRAM</b>	8 MB Video SDRAM	
	<b>Data Transfer Method</b>	32-bit PCI	
	<b>Support Resolution</b>	Supported Color Depths:	
		640 x 480	16.7M, 64K, 256, 16
		800 x 600	16.7M, 64K, 256, 16
		1024 x 768	16.7M, 64K, 256, 16
		1152 x 864	16.7M, 64K, 256, 16
1280 x 1024	16.7M, 64K, 256, 16		
<b>Connector</b>	VGA		

© Copyright 2003 Hewlett-Packard Development Company, L.P.

The information contained herein is subject to change without notice.

Microsoft and Windows NT are US registered trademarks of Microsoft Corporation. Intel is a US registered trademark of Intel Corporation.

The only warranties for HP products and services are set forth in the express warranty statements accompanying such products and services. Nothing herein should be construed as constituting an additional warranty. HP shall not be liable for technical or editorial errors or omissions contained herein.