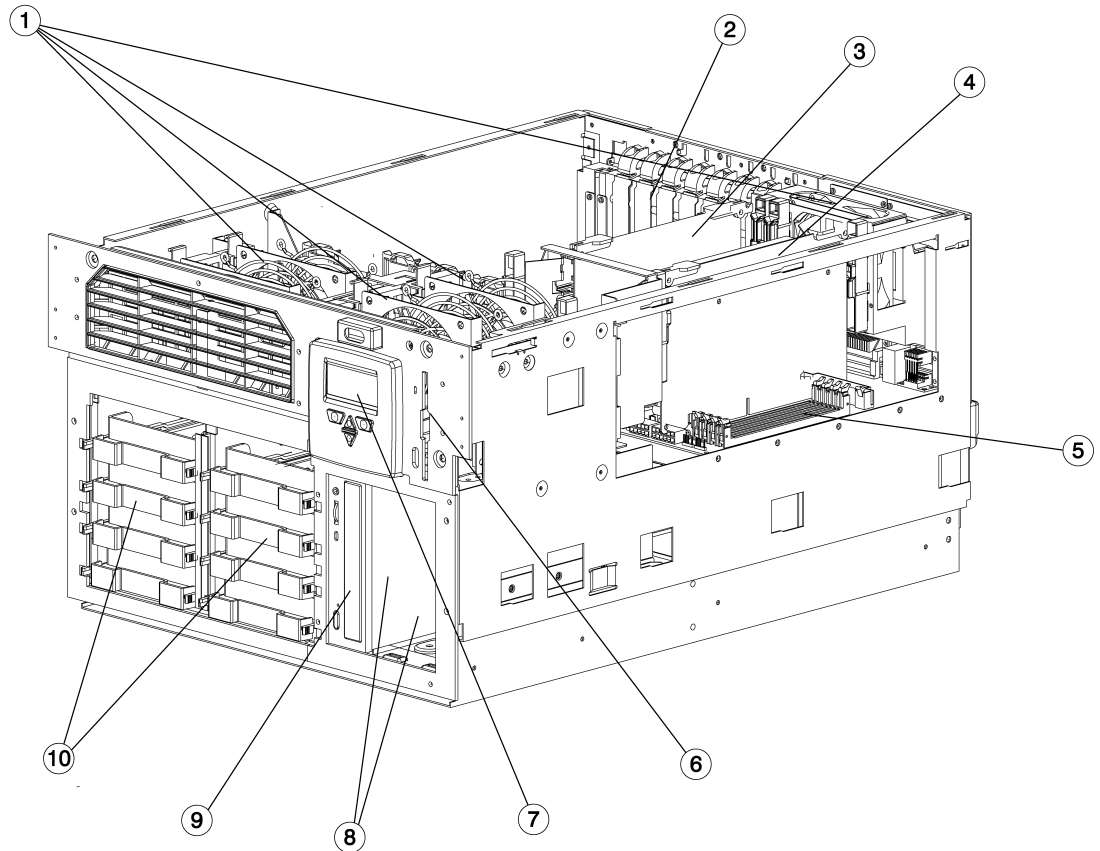


Overview

BENEFITS AT A GLANCE

- Highly Parallel System Architecture for improved system bandwidth
- Space-saving, rack-mountable form factor
- Intel Pentium® II processor 400 and 450 MHz (dual processor capability)
- 512-KB level 2 writeback cache per processor
- 100-MHz GTL Bus Design
- 128-MB 100-MHz SDRAM memory expandable to 4 GB
- ECC-protected memory bus and cache
- Five PCI and three shared PCI/ISA slots (eight total slots)
- Compaq 10/100 TX PCI UTP Controller
- Integrated Dual Channel Wide-Ultra SCSI-3 Adapter
- Internal mass storage capacity up to 145.6 GB (Simplex or optional Duplex drive cage, 109.2 GB pluggable with six 1.6" 18.2 GB Wide-Ultra SCSI-3 drives)
- Internal mass storage capacity up to 127.4 GB (Optional Ultra2 drive cage, 91 GB pluggable with ten 9.1 GB Wide Ultra2 SCSI drives)
- Internal mass storage capacity up to 218.4 GB (internal drive cage only)
- I₂O Connector
- Integrated Remote Console (IRC)
- Automatic Server Recovery-2 (ASR-2)
- 750/500 Watt Hot Pluggable Power Supply with optional Hot Pluggable Redundant Power Supply (RPS)
- Pre-installed 32X Max¹ IDE CD-ROM Drive
- Compaq Insight Manager and SmartStart
- Protected by a three-year, on-site limited warranty² and extended Pre-Failure Warranty² which covers Intel Pentium II processors, memory and disk drives, as well as a wide range of Compaq Services



1. Fans
2. I/O Slot Covers
3. Memory Board
4. Intel Pentium II Processor Board
5. System Board DIMM Memory Sockets
6. 3.5-inch Diskette Drive
7. Integrated Management Display (IMD)
8. 5.25-inch Removeable Media Bays
9. 32X Max¹ IDE CD-ROM
10. Hot Plug SCSI Drive Cage

QUICK SPECS

Compaq ProLiant 3000R
Pentium II Models

Standard Features

MODELS

450-MHz Models

ProLiant 3000R

6/450 (one processor standard)

512K (128 MB)

Model 1 Rack

179730-001

400-MHz Models

ProLiant 3000R

6/400 (one processor standard)

512K (128 MB)

Model 1 Rack

179710-001

Processor

Intel Pentium II processor 450 MHz

6/450 Model 1 Rack

6/400 Model 1 Rack

Cache Memory

512-KB level 2 writeback cache per processor

6/450 Model 1 Rack

6/400 Model 1 Rack

Upgradability

Module upgradeable to dual processing

Support for future 4P Xeon processing

6/450 Model 1 Rack

6/400 Model 1 Rack

Memory

Standard 128 MB

Maximum 4 GB

6/450 Model 1 Rack

6/400 Model 1 Rack

Network Controller

Compaq 10/100 TX PCI UTP controller occupying one PCI slot

6/450 Model 1 Rack

6/400 Model 1 Rack

Expansion Slots

I/O (Total) 8,7 available

PCI 5,4

Shared PCI/ISA 3,3

Storage Controller

Integrated Dual Channel Wide-Ultra SCSI-3 Adapter

Storage

Diskette Drives 1,44 MB

CD-ROM 32X Max¹ IDE CD-ROM Drive

Hard Drives None

Maximum Internal Storage (Simplex Drive Cage) 145.6 GB (109.2 GB pluggable with six 1.6" 18.2 GB drives)

Maximum Internal Storage (Optional Duplex Drive Cage) 145.6 GB (109.2 GB pluggable with six 1.6" 18.2 GB drives)

Maximum Internal Storage (Optional Ultra2 Drive Cage) 127.4 GB (91 GB pluggable with ten 1" 9.1 GB drives)

Interfaces

Parallel 1

Serial 2

Pointing Device (Mouse) 1

Graphics 1

Hot Plug Keyboard 1

External Wide-Ultra SCSI-3 1

Network RJ-45 1

Standard Features

Graphics

Integrated 1024 x 768, 256 color, 1-MB video memory

Form Factor

Rack (7U), ships with sliding rack rails and cable management

Compaq Software

Compaq Insight Manager	The comprehensive system management tool that monitors the operation of Compaq servers, workstations and clients
Compaq SmartStart	The server configuration and software integration tool from Compaq
Array Configuration Utility (ACU) with Smart Array Controllers	Same easy to use yet powerful GUI configuration utility and easy to navigate wizards for all Smart Array Controllers

Manageability

Integrated Management Display (IMD)
Automatic Server Recovery-2 (ASR-2)
Integrated Remote Console (IRC)
Hardware Remote Console
Full Remote Server Reboot Capability
Reset and Failure Sequence Replay
Host Hardware Independent
Operating System Independent
Server Health Logging
Revision History Table
Automatic Revision Tracking
Drive Parameter Tracking (with Smart Array Controller)
Dynamic Sector Repairing (with Smart Array Controller)
Off-Line Backup Processor
Pre-Failure Warranty² (Intel Pentium II processors, hard drives and memory)
Redundant Fan Support

Security

Power-on password
Hot plug keyboard password
Diskette drive control
Diskette boot control
QuickLock, QuickBlank, Network Server Mode
Parallel and serial interface control
Administrator's password
Disk configuration lock

QUICK SPECS

Compaq ProLiant 3000R
Pentium II Models

Standard Features

Power Supply

750/500 Watt Hot Plug Power Supply

OS Support

Microsoft Windows NT
Novell NetWare
SCO UnixWare and OpenServer
IBM OS/2 Warp Family
Sun Solaris
Banyan VINES

Service and Support

Compaq Services provides a wide range of service offerings, including a three-year limited warranty² fully supported by a worldwide network of resellers and service providers; lifetime toll-free 7 x 24 hardware technical phone support, and Pre-Failure Warranty² coverage of hard drives, memory and processors. Disaster recovery services are available through partnership with Comdisco.

Options

Processor

ProLiant 3000 6/450 512K Processor Kit	313618-B21
ProLiant 3000 6/400 512K Processor Kit	313612-B21

Memory (DIMMs)

512-MB Memory Kit (buffered SDRAM)	313617-B21
256-MB Memory Kit (buffered SDRAM)	313616-B21
128-MB Memory Kit (buffered SDRAM)	313615-B21
64-MB Memory Kit (buffered SDRAM)	313614-B21
32-MB Memory Kit (buffered SDRAM)	313613-B21

Monitors

TFT450R RackMount Flat Panel	332662-001
TFT5000 Flat Panel	325700-001
TFT450 Flat Panel	170406-001
P75 Color	307806-001
V500 Color	325900-001
V75 Color	307710-001
S700 Color	360512-001

Diskette Drives

1.44-Megabyte Diskette Drive (Third Height)	294164-B21
---	------------

Optical Drives

24X Max ³ CD-ROM Drive	295545-B21
-----------------------------------	------------

Hard Drives⁴

Wide Ultra2 SCSI - Hot Plug⁵

9.1-GB Wide Ultra2 SCSI 10,000 rpm Drive (1")	328939-B21
9.1-GB Wide Ultra2 SCSI Drive (1")	349514-B21
4.3-GB Wide Ultra2 SCSI 10,000 rpm Drive (1")	328938-B21
4.3-GB Wide Ultra2 SCSI Drive (1")	349513-B21

Wide Ultra2 SCSI - Non-Hot Plug⁵

18.2-GB Wide Ultra2 SCSI 10,000rpm Drive (1.6")	328943-B21
9.1-GB Wide Ultra2 SCSI 10,000 rpm Drive (1")	328942-B21
9.1-GB Wide Ultra2 SCSI Drive (1")	349526-B21
4.3-GB Wide Ultra2 SCSI 10,000 rpm Drive (1")	328941-B21
4.3-GB Wide Ultra2 SCSI Drive (1")	349525-B21

Hard Drives⁴ (continued)

Wide-Ultra SCSI-3 - Hot Plug

18.2-GB Wide-Ultra SCSI-3 Drive (1")	400739-B21
18.2-GB Wide-Ultra SCSI-3 10,000 rpm Drive (1.6")	336358-B21
18.2-GB Wide-Ultra SCSI-3 Drive (1.6")	313756-B21
9.1-GB Wide-Ultra SCSI-3 10,000 rpm Drive (1")	336357-B21
9.1-GB Wide-Ultra SCSI-3 Drive (1")	313706-B21
4.3-GB Wide-Ultra SCSI-3 10,000 rpm Drive (1")	336356-B21
4.3-GB Wide-Ultra SCSI-3 Drive (1")	272577-001

Wide-Ultra SCSI-3 - Non-Hot Plug

18.2-GB Wide-Ultra SCSI-3 10,000 rpm Drive (1.6")	336370-B21
9.1-GB Wide-Ultra SCSI-3 10,000 rpm Drive (1")	336369-B21
9.1-GB Wide-Ultra SCSI-3 Drive (1")	339509-B21
4.3-GB Wide-Ultra SCSI-3 10,000 rpm Drive (1")	336368-B21
4.3-GB Wide-Ultra SCSI-3 Drive (1")	339506-B21

Storage Controllers

Smart Array 221 Controller	388099-B21
Smart Array 3200 Controller	295643-B21
SMART-2DH Array Controller	295242-B21
SMART-2SL Array Controller	242776-B21
Wide-Ultra SCSI-3 Adapter ⁶	272514-001
64-bit Dual Channel Wide Ultra2 SCSI Adapter	348757-B21
Dual Channel Wide-Ultra SCSI-3 Adapter ⁶	295554-B21

Required Cabling

For required cabling information refer to Compaq website <http://www.compaq.com/products/servers/proliant3000r>

Options

Fibre Channel Storage System

Fibre Channel Array Kit (rack)	223100-001
Fibre Channel Storage Hub 12	295573-001
Fibre Channel Storage Hub 7	234453-001
Fibre Channel Tape Controller	350654-001
Fibre Channel Host Controller Kit/P	223180-B21
GBIC-SW Connector Kit (two each)	234459-B21
GBIC-LW Connector Kit (two each)	340412-B21
2m Multi-Mode Fibre Channel Cable	234457-B21
5m Multi-Mode Fibre Channel Cable	234457-B22
15m Multi-Mode Fibre Channel Cable	234457-B23
Fibre Channel Array Redundant Power Supply	224206-001
Fibre Channel Array Tower to Rack Conversion Kit	297162-B21
Fibre Channel Storage Hub 7 Rack Conversion Kit	242795-B21
Upgrade Kit for ProLiant Storage System F and F1	296324-B21
Fibre Channel Troubleshooting Kit	234468-B21

Internal Storage

Ultra Simplex/Duplex Drive Cage Option Kit	328073-B21
Wide Ultra2 SCSI Drive Cage Option Kit (10 X 1")	382157-B21

External Storage

Rack-Mountable SCSI Storage Expander II	332607-001
Rack-Mountable ProLiant Storage System Model UE	348700-001
Rack-Mountable ProLiant Storage System Model U1	304100-B21
Rack-Mountable ProLiant Storage System Model U2	304100-B22
ProLiant Storage System Model F1 or U1 to Model UE Upgrade Kit	348718-B21
ProLiant Storage System Model F2 or U2 to Model UE Upgrade Kit	348706-B21
ProLiant Storage System /U Redundant Power Supply	224206-001
Conversion Kit, SB to DB/U	304116-B21
Conversion Kit, DB to SB/U	304115-B21
ProLiant Storage System RPS /F or /U	224206-001

Server Recovery

Recovery Server Option/U	304117-B21
Recovery Server Option	213817-001

Tape Drives

12/24-GB DAT Drive	295513-B21
4/8-GB DAT Drive	295353-B21
Internal 35/70-GB DLT Drive	242520-B21
External 35/70-GB DLT Drive	242521-B21
Internal 20/40-GB DLT Drive	340743-B21
External 20/40-GB DLT Drive	340744-B21

DLT Libraries⁷

DLT Tape Array Model 0	199860-001
DLT Tape Array II Model 35/70-4 no software	295165-001
35/70 DLT Library Ready Drive	350367-B21
DLT Library 15 Cartridge ⁸ Model 35/70-1	350365-001
DLT Library 15 Cartridge ^{8,9} Model 35/70-2	350365-002
20/40 DLT Library Ready Drive	350364-B21
DLT Library 15 Cartridge ⁸ Model 20/40-1	350362-001
DLT Library 15 Cartridge ⁸ Model 20/40-2	350362-002
DLT Library Tabletop Conversion Kit	350384-B21
96 slot TL895 library unit, 2 drive ¹⁰	349350-B22
96 slot TL895 library unit, 5 drive ¹⁰	349350-B25
DLT7000 drive upgrade kit	349351-B21

Communications

Compaq NC3121 Fast Ethernet NIC PCI 10/100 WOL	323551-B21
Compaq NC3122 Fast Ethernet NIC PCI Dual 10/100	317450-B21
Compaq NC3131 Fast Ethernet NIC 64 PCI Dual Base 10/100	338456-B21
Compaq NC3132 Fast Ethernet Module Dual 10/100 Upgrade Module for NC3131	338456-B22
Compaq NC6132 Gigabit Module 1000 SX Upgrade Module for NC3131	338456-B23
Compaq 10/100 TX PCI UTP Controller	169845-001
Compaq 16/4 TX PCI IBM UTP/STP Controller	301206-B21
Compaq 10 T PCI UTP Controller	242500-001
Compaq 100 FDDI PCI SAS Fibre-SC Controller	242505-001
Compaq 100 FDDI PCI SAS UTP Controller	242507-001
Compaq 100 FDDI PCI DAS Fibre-SC Controller	242509-001
Compaq 100 FDDI PCI DAS UTP Controller	242511-001
Compaq Dual 10/100 TX PCI UTP Controller	242559-001

Options

Communications *(continued)*

Compaq 10 T/2 PCI UTP/Coax Controller	292856-B21
Compaq 100 FDDI PCI SAS Fibre-MIC Controller	287728-001
Compaq 4/16 TR PCI UTP/STP Controller	268009-001
Compaq 10/100 TX PCI Intel UTP Controller	317600-B21
Compaq 10 T PCI Intel UTP Controller	317356-B21
Compaq 16/4 TR ISA IBM UTP/STP Controller	301207-B21
Compaq 56K ISA Fax Modem v.90	294900-002
ServerNet PCI Adapter	309833-B22
4M Cable	309834-B23
30M Cable	309834-B22

Uninterruptible Power Supply

Rack-Mountable UPS R3000h-NA ¹	242705-003
Rack-Mountable UPS R3000h ⁹	242705-002
Rack-Mountable UPS R3000	242705-001
Rack-Mountable UPS R1500	242704-001
Compaq Power Distribution Unit-low voltage	295363-001
Compaq Power Distribution Unit-high voltage – NA	295363-002
Multi-Server UPS Card	242755-001
Scalable UPS Card	242756-001

Racks

Compaq Rack 7142 (42U)	165753-001
Compaq Rack 4136 (36U)	303656-001
Compaq Rack Frame 4136 (36U)	303668-001
Compaq Rack 7122 (22U)	163747-001

Rack Options

Rack Sidewall Kit (42U only)	165652-001
Coupling Kit (42U only)	165664-001
Stabilizing Feet (42U only)	189907-001
Rack Sidewall Kit (36U only)	303658-B21
Rack Coupling Kit (36U only)	303657-B21
Rack Stabilizing Feet (36U only)	303659-B21
Front Door Kit (36U frame only)	303669-B21
Back Door Kit (36U frame only)	303670-B21
Monitor Utility Shelf	303606-B21
Depth Adjustable Fixed Rails	332558-B21
Sliding Shelf Kit	332564-B21
Blanking Panels	169940-001
Compaq Networking Cable Management Kit	292407-B21
Compaq Networking Recessed Rail Management Kit	292406-B21

Rack Options *(continued)*

4-Port Hot Plug Keyboard/Monitor/Mouse Switch (All)	242694-001
8-Port Hot Plug Keyboard/Monitor/Mouse Switch (All)	242695-001
CPU to Switch Cable, 9'	165638-001
CPU to Switch Cable, 20'	165638-002
CPU to Switch Cable, 40'	165638-003
Switch Box Connector Kit	242691-001
Switch Box Connector Kit (high volt)	242691-002
Switch Box 1 x 16 Pairing Kit	242778-001
Rack Internal Trackball Keyboard	185152-001
2U Rack Keyboard Drawer	303607-B21
Low Voltage Power Distribution Unit	295363-001
High Voltage Power Distribution Unit	295363-002
Hot Plug Keyboard/Mouse/Monitor extension cables	169989-001

Other

Wide Ultra2 SCSI Cable Option Kit ¹²	104936-B21
Compaq Remote Insight PCI	294013-001
Compaq Remote Insight Board (PCI) LAN/Serial without modem	294013-B22
Compaq Remote Insight Board (PCI) LAN only	294013-B23
Integrated Management Display Option	264377-B23
Expedite Rack Delivery	184449-001
4.0-GB DDS-2 DAT Cassette	137611-001
Type IV DLT Drive Cartridge (single)	295194-B21
Type IV-GB DLT Drive Cartridge (7 pack)	295192-B21
DLT Cleaning Cartridge	199704-001
DLT Tape Array Cable Kit	242427-001
DLT Magazine with five Type IV DLT Tape	295168-B21
12.0-GB DDS-3 DAT Cassette (10 Pack)	295515-B21
DAT 4mm Cleaning Cassette	242781-001

Redundant Options

Redundant Fan Kit	306558-B21
Compaq Hot Plug Redundant Power Supply	306592-B21

QUICKSPECS

Compaq ProLiant 3000R
Pentium II Models

Memory

Compaq ProLiant 3000R 6/450

STANDARD MEMORY

128-MB DIMM Standard

Standard	Slot							
	1	2	3	4	5	6	7	8
128 MB	[128 MB]	Empty	Empty	Empty	Empty	Empty	Empty	Empty

STANDARD MEMORY PLUS

OPTIONAL MEMORY

Support for up to 3712 MB of DIMM memory is available with the installation of optional 100-MHz SDRAM Memory Kits.

Up To	Slot							
	1	2	3	4	5	6	7	8
3712 MB	[128 MB]	[512 MB]	[512 MB]	[512 MB]	[512 MB]	[512 MB]	[512 MB]	[512 MB]

STANDARD MEMORY REPLACED WITH OPTIONAL MEMORY

Support for up to 4096 MB of DIMM memory is available with the removal of the standard 128-MB DIMM and the installation of optional 100-MHz SDRAM Memory Kits.

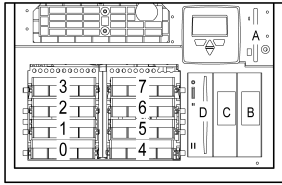
Up To	Slot							
	1	2	3	4	5	6	7	8
4096 MB	[512 MB]	[512 MB]	[512 MB]	[512 MB]	[512 MB]	[512 MB]	[512 MB]	[512 MB]

Following are memory options available from Compaq:

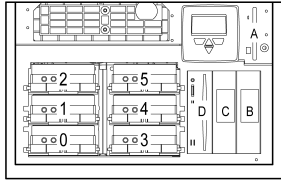
- 512-MB 100-MHz SDRAM Memory Kit 313617-B21
- 256-MB 100-MHz SDRAM Memory Kit 313616-B21
- 128-MB 100-MHz SDRAM Memory Kit 313615-B21
- 64-MB 100-MHz SDRAM Memory Kit 313614-B21
- 32-MB 100-MHz SDRAM Memory Kit 313613-B21

Storage

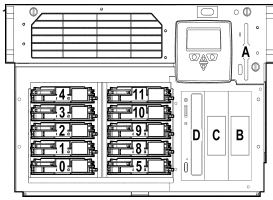
DRIVE SUPPORT



1-inch Drive Locations



1.6-inch Drive Locations



1-inch Ultra2 Drive Locations

	Quantity Supported	Position Supported	Controller
Removeable Media			
1.44-MB Diskette Drive	Up to 1	A	Integrated
IDE CD-ROM Drive	Up to 2	B,C,D	Integrated IDE
Hard Drives⁴			
<i>Wide Ultra2 SCSI - Hot Plug⁵ (supported with optional Ultra2 Drive Cage – 382157-B21)</i>			
1-inch	Up to 10	0-9	Integrated Dual Channel Wide-Ultra SCSI-3 Adapter Smart Array 3200 Controller
9.1-GB 10,000 rpm			64-bit Dual Channel Wide Ultra2 SCSI Adapter
9.1-GB			SMART-2SL Array Controller
4.3-GB 10,000 rpm			SMART-2DH Array Controller
4.3-GB			Wide-Ultra SCSI-3 Adapter
<i>Wide Ultra2 SCSI - Non-Hot Plug⁵ (supported with optional Ultra2 Drive Cage – 382157-B21)</i>			
1-inch	Up to 3	B,C,D	Integrated Dual Channel Wide-Ultra SCSI-3 Adapter Smart Array 3200 Controller
9.1-GB 10,000 rpm			64-bit Dual Channel Wide Ultra2 SCSI Adapter
9.1-GB			SMART-2SL Array Controller
4.3-GB 10,000 rpm			SMART-2DH Array Controller
4.3-GB			Wide-Ultra SCSI-3 Adapter
1.6-inch			
18.2-GB 10,000 rpm			
<i>Wide-Ultra SCSI-3 - Hot Plug</i>			
1-inch	Up to 8	0-7	Integrated Dual Channel Wide-Ultra SCSI-3 Adapter Smart Array 3200 Controller
18.2-GB	(duplex option)	0-6	64-bit Dual Channel Wide Ultra2 SCSI Adapter
9.1-GB 10,000 rpm	Up to 7		SMART-2SL Array Controller
9.1-GB	(simplex)		SMART-2DH Array Controller
4.3-GB 10,000 rpm			Wide-Ultra SCSI-3 Adapter
4.3-GB			
1.6-inch	Up to 6	0-5	
18.2-GB 10,000 rpm			
18.2-GB			
<i>Wide-Ultra SCSI-3 - Non-Hot Plug</i>			
1-inch	Up to 3	B,C,D	Integrated Dual Channel Wide-Ultra SCSI-3 Adapter Smart Array 3200 Controller
9.1-GB 10,000 rpm			64-bit Dual Channel Wide Ultra2 SCSI Adapter
9.1-GB			SMART-2SL Array Controller
4.3-GB 10,000 rpm			SMART-2DH Array Controller
4.3-GB			Wide-Ultra SCSI-3 Adapter
1.6-inch			
18-GB 10,000 rpm			
External Storage			
ProLiant Storage System Models UE ProLiant Storage System Models U2 ProLiant Storage System Models U1	Up to 13	External	Integrated Dual Channel Wide-Ultra SCSI-3 Adapter Smart Array 3200 Controller 64-bit Dual Channel Wide Ultra2 SCSI Adapter SMART-2SL Array Controller SMART-2DH Array Controller Wide-Ultra SCSI-3 Adapter
96 Slot DLT Library (2 Drive) ¹⁰ 96 Slot DLT Library (5 Drive) ¹⁰	2 drives per SCSI channel	External	Compaq Dual Channel Wide-Ultra SCSI-3 Adapter Compaq Wide-Ultra SCSI Adapter
SCSI Storage Expander II	Up to 3	External	Integrated Dual Channel Wide-Ultra SCSI-3 Adapter Smart Array 3200 Controller 64-bit Dual Channel Wide Ultra2 SCSI Adapter Wide-Ultra SCSI-3
Fibre Channel Array Kit	Up to 12	External	Fibre Channel Host Adapter

Storage

DRIVE SUPPORT *(continued)*

	Quantity Supported	Position Supported	Controller
Maximum Storage Capacity (Simplex Drive Cage & External Storage)			
Internal:	145.6 GB (109.2 GB pluggable with six 1.6" 18.2 GB drives)		
External:	1.75 TB (12 ProLiant Storage Systems, each with 8 x 18.2-GB hard drives)		
Total:	1.89 TB		
Maximum Storage Capacity (Optional Duplex Drive Cage & External Storage)			
Internal:	145.6 GB		
External:	1.75 TB (12 ProLiant Storage Systems, each with 8 x 18.2-GB hard drives)		
Total:	1.89 TB		
Maximum Storage Capacity (Optional Ultra2 Drive Cage & External Storage)			
Internal:	127.4 GB (91 GB pluggable with 10 1" 9.1-GB drives)		
External:	1.75 TB (12 ProLiant Storage Systems, each with 8 x 18.2-GB hard drives)		
Total:	1.88 TB		
Tape Drives			
12/24-GB DAT 4/8-GB DAT	Up to 2	B,C	Wide-Ultra SCSI-3 Adapter
Internal 35/70-GB DLT Internal 20/40-GB DLT	1	B + C (two bays)	Integrated Dual Channel Wide-Ultra SCSI-3 Adapter Wide-Ultra SCSI-3 Adapter
DLT Tape Array II Model 35/70	1 to 4	External	Integrated Dual Channel Wide-Ultra SCSI-3 Adapter Wide-Ultra SCSI-3 Adapter
35/70-GB DLT 20/40-GB DLT	Up to 3	External	Integrated Dual Channel Wide-Ultra SCSI-3 Adapter Wide-Ultra SCSI-3 Adapter
DLT 15 Cartridge Library ⁸ Model 35/70-1 DLT 15 Cartridge Library ^{8,9} Model 35/70-2 DLT 15 Cartridge Library ⁸ Model 20/40-1 DLT 15 Cartridge Library ⁸ Model 20/40-2	1 Library per SCSI channel		Integrated Dual Channel Wide-Ultra SCSI-3 Adapter Wide-Ultra SCSI-3 Adapter
96 Slot DLT Library (2 Drive) ¹⁰ 96 Slot DLT Library (5 Drive) ¹⁰	2 drives per SCSI channel	External	Compaq Dual Channel Wide-Ultra SCSI-3 Adapter Compaq Wide-Ultra SCSI Adapter
SCSI Storage Expander II	Up to 3	External	Integrated Dual Channel Wide-Ultra SCSI-3 Adapter Smart Array 3200 Controller Wide-Ultra SCSI-3 Adapter
Fibre Channel Array Kit	Up to 12	External	Fibre Channel Host Adapter

Storage

SUPPORTED TAPE DRIVE OPTIONS

Tape Drive	Operating System	Key
12/24-GB DAT Drive	Novell NetWare SCO UNIX Banyan VINES OS/2 Warp and LAN Server Microsoft Windows NT	AS, JS, LG, SE AO, UX VN ST AS, NT, SE, LG
4/8-GB DAT Drive	Novell NetWare SCO UNIX Banyan VINES OS/2 Warp and LAN Server Microsoft Windows NT	AS, JS, LG, SE AO, UX VN ST AS, NT, SE, LG
35/70-GB DLT Drive	Novell NetWare SCO UNIX OS/2 Warp and LAN Server Microsoft Windows NT	AS, JS, LG, SE AO, UX ST AS, NT, SE, LG
20/40-GB DLT Drive	Novell NetWare SCO UNIX OS/2 Warp and LAN Server Microsoft Windows NT	AS, JS, LG, SE AO, UX NV AS, NT, SE
DLT Tape Array II Model 35/70	Novell NetWare SCO UNIX Microsoft Windows NT	LG UX LG
DLT 15 Cartridge Library ⁶ Model 35/70-1	Novell NetWare SCO UNIX Microsoft Windows NT	AS, JS, SE AO, UX AS, NT, SE
DLT 15 Cartridge Library ^{6,9} Model 35/70-2	Novell NetWare SCO UNIX Microsoft Windows NT	AS, JS, SE AO, UX AS, NT, SE
DLT 15 Cartridge Library ⁶ Model 20/40-1	Novell NetWare SCO UNIX Microsoft Windows NT	AS, JS, SE AO, UX AS, NT, SE
DLT 15 Cartridge Library ⁶ Model 20/40-2	Novell NetWare SCO UNIX Microsoft Windows NT	AS, JS, SE AO, UX AS, NT, SE
96 Slot DLT Library (2 Drive) ¹⁰	Novell NetWare Microsoft Windows NT 4.0	AS, SE AS, NT, SE
96 Slot DLT Library (5 Drive) ¹⁰	Novell NetWare Microsoft Windows NT 4.0	AS, SE AS, NT, SE

Keys to Chart

AS	Computer Associates ARCserve	VN	Banyan VINES support for Compaq tape drives included in operating system
JS	Computer Associates JETserve	UX	Device drivers for Compaq tape drives available from SCO in the SCO Compaq Supplement
AO	Computer Associates ARCserve Open	NT	Microsoft Windows NT support for Compaq tape drives included in operating system
LG	Legato Networker Software from Legato	NV	Novastor Novaback for OS/2
ST	Syfos Plus software		
SE	Seagate Software Backup Exec		

QUICKSPECS

Compaq ProLiant 3000R
Pentium II Models

Technical Specifications

System Unit

Dimensions (HxWxD)	23.88 x 17.5 x 12 in/60.3 x 44.5 x 30.5 cm	
Weight	71 lbs/31.95 kg	
No hard drives installed, one power supply		
Input Requirements (per power supply)		
Rated Input Voltage	100 to 120 VAC/200 to 240 VAC	
Rated Input Frequency	50 to 60 Hz	
Input Power	780W @ 110 VAC/1100W @ 220 VAC	
Rated Input Current	8A	
Power Supply Output Power (per power supply)		
Rated Steady-State Power	500W/750W (lowline/highline)	
Maximum Peak Power	540W/780W (lowline/highline)	
Temperature Range		
Operating	50° to 95°F/10° to 35°C	
Non-operating	-20° to 140°F/-30° to 60°C	
Shipping	-22° to 122°F/-30° to 60°C	
Relative Humidity (non-condensing)		
Operating	20% to 80%	
Non-operating	5% to 90%	
Maximum Wet Bulb Temperature	101.7°F/38.7°C	
Acoustic Noise	NPEL (BELS)	AVERAGE SPL (dBA)
Idle (Fixed Disk Drives Spinning)	6	43
Operating (Random Seeks to Fixed Disks)	6.1	44

1.44-MB Diskette Drive

Diskette Size	3.5 in
LED (front panel)	Green
Read/Write Capacity per Diskette (high/low density)	1.44 MB/720 KB
Drive Supported	One
Drive Height	One-third
Drive Rotation	300 rpm
Transfer Rate Synchronous (Max) (high/low)	500/250 Kb/s
Bytes/Sector	512
Sectors/Track (high/low)	18/9
Tracks/Side (high/low)	80/80
Access Times	
Track-to-Track (high/low)	3/6 ms
Average (high/low)	169/94 ms
Settling Time	15 ms
Latency Average	100 ms
Cylinders (high/low)	80/80
Read/Write Heads	Two

QUICKSPECS

Compaq ProLiant 3000R
Pentium II Models

Technical Specifications

Hot Plug
Wide Ultra2 SCSI
Hard Drives^{4,5}

9.1 GB 10K	Capacity	9100 MB	Seek Time (typical reads, including settling)	
	Height	1 in	Single Track	0.8 ms
	Size	3.5 in	Average	5.4 ms
	Interface	Wide Ultra2 SCSI	Full-Stroke	12.2 ms
	Transfer Rate		Rotational Speed	10,000 rpm
	Synchronous (Max)	80 MB/s	Physical Configuration	
			Bytes/Sector	512
			Logical Blocks	17,773,524
			Operating Temperature	50° to 95°F/10° to 35°C
9.1 GB	Capacity	9100 MB	Seek Time (typical reads, including settling)	
	Height	1 in	Single Track	0.8 ms
	Size	3.5 in	Average	7.9 ms
	Interface	Wide Ultra2 SCSI	Full-Stroke	17 ms
	Transfer Rate		Rotational Speed	7200 rpm
	Synchronous (Max)	80 MB/s	Physical Configuration	
			Bytes/Sector	512
			Logical Blocks	17,773,524
			Operating Temperature	50° to 95°F/10° to 35°C
4.3 GB 10K	Capacity	4290.6 MB	Seek Time (typical reads, including settling)	
	Height	1 in	Single Track	0.8 ms
	Size	3.5 in	Average	5.4 ms
	Interface	Wide Ultra2 SCSI	Full-Stroke	12.2 ms
	Transfer Rate		Rotational Speed	10,000 rpm
	Synchronous (Max)	80 MB/s	Physical Configuration	
			Bytes/Sector	512
			Logical Blocks	8,380,080
			Operating Temperature	50° to 95°F/10° to 35°C
4.3 GB	Capacity	4290.6 MB	Seek Time (typical reads, including settling)	
	Height	1 in	Single Track	0.8 ms
	Size	3.5 in	Average	8.8 ms
	Interface	Wide Ultra2 SCSI	Full-Stroke	17 ms
	Transfer Rate		Rotational Speed	7200 rpm
	Synchronous (Max)	80 MB/s	Physical Configuration	
			Bytes/Sector	512
			Logical Blocks	8,380,080
			Operating Temperature	50° to 95°F/10° to 35°C

QUICK SPECS

Compaq ProLiant 3000R
Pentium II Models

Technical Specifications

Non-Hot Plug
Wide Ultra2 SCSI
Hard Drives^{4,12}

18.2 GB 10K	Capacity	18209.3 MB	Seek Time (typical reads, including settling)	
	Height	1 in	Single Track	0.8 ms
	Size	3.5 in	Average	5.7 ms
	Interface	Wide Ultra2 SCSI	Full-Stroke	12.2 ms
	Transfer Rate Synchronous (Max)	80 MB/s	Rotational Speed	10,000 rpm
			Physical Configuration	
			Bytes/Sector	512
			Logical Blocks	35,565,080
			Operating Temperature	50° to 95°F/10° to 35°C
<hr/>				
9.1 GB 10K	Capacity	9100 MB	Seek Time (typical reads, including settling)	
	Height	1 in	Single Track	0.8 ms
	Size	3.5 in	Average	5.4 ms
	Interface	Wide Ultra2 SCSI	Full-Stroke	12.2 ms
	Transfer Rate Synchronous (Max)	80 MB/s	Rotational Speed	10,000 rpm
			Physical Configuration	
			Bytes/Sector	512
			Logical Blocks	17,773,524
			Operating Temperature	50° to 95°F/10° to 35°C
<hr/>				
9.1 GB	Capacity	9100 MB	Seek Time (typical reads, including settling)	
	Height	1 in	Single Track	1.9 ms
	Size	3.5 in	Average	7.5 ms
	Interface	Wide Ultra2 SCSI	Full-Stroke	15 ms
	Transfer Rate Synchronous (Max)	80 MB/s	Rotational Speed	7200 rpm
			Physical Configuration	
			Bytes/Sector	512
			Logical Blocks	17,773,524
			Operating Temperature	50° to 95°F/10° to 35°C
<hr/>				
4.3 GB 10K	Capacity	4290.6 MB	Seek Time (typical reads, including settling)	
	Height	1 in	Single Track	0.8 ms
	Size	3.5 in	Average	5.4 ms
	Interface	Wide Ultra2 SCSI	Full-Stroke	12.2 ms
	Transfer Rate Synchronous (Max)	80 MB/s	Rotational Speed	10,000 rpm
			Physical Configuration	
			Bytes/Sector	512
			Logical Blocks	8,380,080
			Operating Temperature	50° to 95°F/10° to 35°C
<hr/>				
4.3 GB	Capacity	4290.6 MB	Seek Time (typical reads, including settling)	
	Height	1 in	Single Track	0.8 ms
	Size	3.5 in	Average	7.5 ms
	Interface	Wide Ultra2 SCSI	Full-Stroke	18 ms
	Transfer Rate Synchronous (Max)	80 MB/s	Rotational Speed	7200 rpm
			Physical Configuration	
			Bytes/Sector	512
			Logical Blocks	8,380,080
			Operating Temperature	50° to 95°F/10° to 35°C

QUICKSPECS

Compaq ProLiant 3000R
Pentium II Models

Technical Specifications

Hot Plug
Wide-Ultra SCSI-3
Hard Drives⁴

18.2 GB 10K	Capacity	18209.8 MB	Seek Time (typical reads, including settling)	
	Height	1.6 in	Single Track	0.8 ms
	Size	3.5 in	Average	5.7 ms
	Interface	Wide-Ultra SCSI-3	Full-Stroke	12.2 ms
	Transfer Rate Synchronous (Max)	40 MB/s	Rotational Speed	10,000 rpm
			Physical Configuration	
			Bytes/Sector	512
			Logical Blocks	35,566,000
			Operating Temperature	50° to 95°F/10° to 35°C
18.2 GB 10K	Capacity	18209.8 MB	Seek Time (typical reads, including settling)	
	Height	1 in	Single Track	0.8 ms
	Size	3.5 in	Average	6.9 ms
	Interface	Wide-Ultra SCSI-3	Full-Stroke	16 ms
	Transfer Rate Synchronous (Max)	40 MB/s	Rotational Speed	7,200 rpm
			Physical Configuration	
			Bytes/Sector	512
			Logical Blocks	35,566,000
			Operating Temperature	50° to 95°F/10° to 35°C
18.2 GB 10K	Capacity	18209.8 MB	Seek Time (typical reads, including settling)	
	Height	1.6 in	Single Track	0.9 ms
	Size	3.5 in	Average	8 ms
	Interface	Wide-Ultra SCSI-3	Full-Stroke	18 ms
	Transfer Rate Synchronous (Max)	40 MB/s	Rotational Speed	7,200 rpm
			Physical Configuration	
			Bytes/Sector	512
			Logical Blocks	35,566,000
			Operating Temperature	50° to 95°F/10° to 35°C
9.1 GB 10K	Capacity	9100 MB	Seek Time (typical reads, including settling)	
	Height	1 in	Single Track	0.8 ms
	Size	3.5 in	Average	5.4 ms
	Interface	Wide-Ultra SCSI-3	Full-Stroke	12.2 ms
	Transfer Rate Synchronous (Max)	40 MB/s	Rotational Speed	10,000 rpm
			Physical Configuration	
			Bytes/Sector	512
			Logical Blocks	17,773,500
			Operating Temperature	50° to 95°F/10° to 35°C
9.1 GB 10K	Capacity	9100 MB	Seek Time (typical reads, including settling)	
	Height	1 in	Single Track	0.8 ms
	Size	3.5 in	Average	7.9 ms
	Interface	Wide-Ultra SCSI-3	Full-Stroke	17 ms
	Transfer Rate Synchronous (Max)	40 MB/s	Rotational Speed	7,200 rpm
			Physical Configuration	
			Bytes/Sector	512
			Logical Blocks	17,773,500
			Operating Temperature	50° to 95°F/10° to 35°C

QUICK SPECS

Compaq ProLiant 3000R
Pentium II Models

Technical Specifications

Hot Plug
Wide-Ultra SCSI-3
Hard Drives⁴ (continued)

4.3 GB 10K	Capacity	4293.6 MB	Seek Time (typical reads, including settling)	
	Height	1 in	Single Track	0.8 ms
	Size	3.5 in	Average	5.4 ms
	Interface	Wide-Ultra SCSI-3	Full-Stroke	12.2 ms
	Transfer Rate		Rotational Speed	10,000 rpm
	Synchronous (Max)	40 MB/s	Physical Configuration	
			Bytes/Sector	512
			Logical Blocks	8,386,000
			Operating Temperature	50° to 95°F/10° to 35°C
<hr/>				
4.3 GB	Capacity	4293.6 MB	Seek Time (typical reads, including settling)	
	Height	1 in	Single Track	0.8 ms
	Size	3.5 in	Average	8.8 ms
	Interface	Wide-Ultra SCSI-3	Full-Stroke	17 ms
	Transfer Rate		Rotational Speed	7200 rpm
	Synchronous (Max)	40 MB/s	Physical Configuration	
			Bytes/Sector	512
			Logical Blocks	8,386,000
			Operating Temperature	50° to 95°F/10° to 35°C

QUICKSPECS

Compaq ProLiant 3000R
Pentium II Models

Technical Specifications

Non-Hot Plug
Wide-Ultra SCSI-3
Hard Drives⁴

18.2 GB 10K	Capacity	18209.8 MB	Seek Time (typical reads, including settling)	
	Height	1.6 in	Single Track	0.8 ms
	Size	3.5 in	Average	5.7 ms
	Interface	Wide-Ultra SCSI-3	Full-Stroke	12.2 ms
	Transfer Rate		Rotational Speed	10,000 rpm
	Synchronous (Max)	40 MB/s	Physical Configuration	
			Bytes/Sector	512
			Logical Blocks	35,566,000
			Operating Temperature	50° to 95°F/10° to 35°C
9.1 GB 10K	Capacity	9100 MB	Seek Time (typical reads, including settling)	
	Height	1 in	Single Track	0.8 ms
	Size	3.5 in	Average	5.4 ms
	Interface	Wide-Ultra SCSI-3	Full-Stroke	12.2 ms
	Transfer Rate		Rotational Speed	10,000 rpm
	Synchronous (Max)	40 MB/s	Physical Configuration	
			Bytes/Sector	512
			Logical Blocks	17,773,500
			Operating Temperature	50° to 95°F/10° to 35°C
9.1 GB 10K	Capacity	9100 MB	Seek Time (typical reads, including settling)	
	Height	1 in	Single Track	1.9 ms
	Size	3.5 in	Average	7.5 ms
	Interface	Wide-Ultra SCSI-3	Full-Stroke	15 ms
	Transfer Rate		Rotational Speed	7200 rpm
	Synchronous (Max)	40 MB/s	Physical Configuration	
			Bytes/Sector	512
			Logical Blocks	17,773,500
			Operating Temperature	50° to 95°F/10° to 35°C
4.3 GB 10K	Capacity	4293.6 MB	Seek Time (typical reads, including settling)	
	Height	1 in	Single Track	0.8 ms
	Size	3.5 in	Average	5.4 ms
	Interface	Wide-Ultra SCSI-3	Full-Stroke	12.2 ms
	Transfer Rate		Rotational Speed	10,000 rpm
	Synchronous (Max)	40 MB/s	Physical Configuration	
			Bytes/Sector	512
			Logical Blocks	8,386,000
			Operating Temperature	50° to 95°F/10° to 35°C
4.3 GB 10K	Capacity	4293.6 MB	Seek Time (typical reads, including settling)	
	Height	1 in	Single Track	0.8 ms
	Size	3.5 in	Average	8.8 ms
	Interface	Wide-Ultra SCSI-3	Full-Stroke	17.0 ms
	Transfer Rate		Rotational Speed	7200 rpm
	Synchronous (Max)	40 MB/s	Physical Configuration	
			Bytes/Sector	512
			Logical Blocks	8,386,000
			Operating Temperature	50° to 95°F/10° to 35°C

QUICK SPECS

Compaq ProLiant 3000R
Pentium II Models

Technical Specifications

32X Max¹ IDE CD-ROM Drive

Disk	
Applicable Disk	CD-ROM (Mode 1 and 2) CD-DA, CD-XA (Mode 2, Form 1 and 2) Photo CD (Single and Multi-session) Mixed Mode (Audio and Data combined)
Capacity	550 MB (Mode 1, 12 cm) 640 MB (Mode 2, 12 cm)
Diameter	4.7 in, 3.15 in/12 cm, 8 cm
Rotational Speed	4200 rpm maximum
Center Hole	0.6 in/15 mm diameter
Thickness	1.2 mm
Track Pitch	1.6 μ m
Block Size	
Mode 1	2048, 1024 bytes
Mode 2	2340, 2336, 1024 bytes
CD-DA	2352 bytes
CD-XA	2328 bytes
Interface	IDE (ATAPI)
Access Times (typical)	
Random	100 ms
Full-Stroke	200 ms
Audio Output Level	
Line Out	0.7 VRMS at 47 kOhms
Headphone	0.6 VRMS at 32 Ohms (maximum volume)
Data Transfer Rate	
Sustained	150 KB/s (single)
Burst	1200 to 4800 KB/s
Cache Buffer	128 KB
Start-Up Time (typical)	< 7 seconds
Stop Time	< 4 seconds
Laser Parameters	
Type	Semiconductor Laser GaAlAs
Wave Length	780 \pm 25 nm
Divergence Angle	53.5 $^{\circ}$ \pm 1.5 $^{\circ}$
Output Power	0.14 mW
Operating Conditions	
Temperature	41 $^{\circ}$ to 113 $^{\circ}$ F/5 $^{\circ}$ to 45 $^{\circ}$ C
Humidity	10% to 80%
Dimensions	
(HxWxD, maximum)	1.88 x 5.85 x 8.11 in/4.29 x 15 x 20.8 cm
Weight	2.09 lbs/0.95 kg

Technical Specifications

Smart Array 3200 Controller

Drives Supported	Up to 15 drives per channel, 30 drives maximum
Data Transfer Method	32-Bit PCI bus-master
Maximum Transfer Rate per PCI Bus (peak)	133 MB/s
Simultaneous Drive Transfer Channels	Two
Total Transfer Rate	160 MB/s (80 MB/s per channel)
Software Upgradable Firmware	Yes
Cache	64-MB Array Accelerator
Reliability Features	
Distributed Data Guarding (RAID 5)	Yes
Data Guarding (RAID 4)	Yes
Drive Mirroring (RAID 1)	Yes
Drive Stripping (RAID 0)	Yes
Automatic Data Recovery	Yes

Integrated Dual Channel Wide-Ultra SCSI-3 Adapter

Drives Supported	Up to seven SCSI devices per channel
Data Transfer Method	32-Bit PCI bus master
SCSI Channel Transfer Rate	40 MB/s per channel
Maximum Transfer Rate per PCI Bus (peak)	133 MB/s
SCSI Termination	Active Termination
SCSI Connectors	1 external, (68-pin) 2 internal, (68-pin)

Compaq 10/100 TX PCI UTP Controller

Network Interface	10Base-T/100Base-TX
Compatibility	IEEE 802.3/802.3u compliant
Data Transfer Method	32-bit bus-master PCI
Network Transfer Rate	
10Base-T (Half-Duplex), 10Base-2	10 Mb/s
10Base-T (Full-Duplex)	20 Mb/s
100Base-TX (Half-Duplex), 100VG-AnyLAN	100 Mb/s
100Base-TX (Full-Duplex)	200 Mb/s
Connector	RJ-45
Cable Support	
10Base-T	Categories 3, 4 or 5 UTP (2 or 4 pair); up to 328 feet (100 meters)
100Base-TX	Category 5 UTP (2 pair); up to 328 feet (100 meters)

QUICK SPECS

Compaq ProLiant 3000R
Pentium II Models

Technical Specifications

Compaq 10/100 TX PCI Intel UTP Controller

Network Interface	10Base-T/100Base-TX
Compatibility	IEEE 802.3/802.3u compliant
Data Transfer Method	32-bit bus-master PCI
Network Transfer Rate	
10Base-T (Half-Duplex), 10Base-2	10 Mb/s
10Base-T (Full-Duplex)	20 Mb/s
100Base-TX (Half-Duplex), 100VG-AnyLAN	100 Mb/s
100Base-TX (Full-Duplex)	200 Mb/s
Connector	RJ-45
Cable Support	
10Base-T	Categories 3, 4 or 5 UTP (2 or 4 pair); up to 328 feet (100 meters)
100Base-TX	Category 5 UTP (2 pair); up to 328 feet (100 meters)

Compaq Rack 7142 (42U) (optional)

Dimensions	Total Cabinet	Usable Area	Shipping
Height	85 in/215.9 cm	73.5 in/186.69 cm	90.75 in/230.5 cm
Depth	33.25 in/84.45 cm	29.21 in/74.19 cm	48 in/121.92 cm
Width	23.25 in/59.05 cm	19 in/48.26 cm	32 in/81.28 cm
Weight	253 lbs/114.84 kg	–	325 lbs/147.52 kg

Compaq Rack 4136 (36U) (optional)

Dimensions	Total Cabinet	Usable Area	Shipping
Height	67.97 in/172.5 cm	63.05 in/160.02 cm	85.25 in/203.84 cm
Depth	33.25 in/84.45 cm	29.21 in/74.19 cm	48 in/121.92 cm
Width	23.25 in/59.05 cm	19 in/48.26 cm	32 in/81.28 cm
Weight	165 lbs/75 kg	–	234 lbs/106 kg

Compaq Rack 7122 (22U) (optional)

Dimensions	Total Cabinet	Usable Area	Shipping
Height	49.5 in/125.7 cm	38.5 in/97.79 cm	56.63 in/143.84 cm
Depth	33.25 in/84.45 cm	29.21 in/74.19 cm	48 in/121.92 cm
Width	23.25 in/59.05 cm	19 in/48.26 cm	32 in/81.28 cm
Weight	176 lbs/79.89 kg	–	225 lbs/102.13 kg

Technical Specifications

OS Driver Support

Operating Systems	Current Drivers	Driver Location
Microsoft Windows NT Server 3.51	NTSSD 1.34a	SmartStart CD and www.compaq.com ¹³
Microsoft Windows NT Server 4.0	NTSSD 2.12a	SmartStart CD and www.compaq.com ¹³
Microsoft Windows NT Server, Enterprise Edition 4.0	NTSSD 2.12a	SmartStart CD and www.compaq.com ¹³
Microsoft Windows NT Server 4.0, Terminal Server Edition	NTSSD 2.12a	SmartStart CD and www.compaq.com ¹³
Novell NetWare 3.2	NSSD 5.02B	SmartStart CD and www.compaq.com ¹³
Novell NetWare 4.2 SMP	NSSD 5.02B	SmartStart CD and www.compaq.com ¹³
Novell NetWare 4.2, 5	NSSD 5.02B	SmartStart CD and www.compaq.com ¹³
SCO OpenServer 5.0.2, 5.0.4, 5.0.5	EFS 5.23	SmartStart CD and www.compaq.com ¹³
SCO UnixWare 2.1.1, 2.1.2, 2.1.3	EFS 2.23	SmartStart CD and www.compaq.com ¹³
SCO UnixWare 7.0, 7.1	EFS 7.23	SmartStart CD and www.compaq.com ¹³
IBM OS/2 Warp Connect 3	OS2SSD 3.40A NICSSD 1.40A	SmartStart CD and www.compaq.com ¹³
IBM OS/2 Warp 4	OS2SSD 3.40A NICSSD 1.40A	SmartStart CD and www.compaq.com ¹³
IBM OS/2 Warp Server 4	OS2SSD 3.40A NICSSD 1.40A	SmartStart CD and www.compaq.com ¹³
IBM OS/2 Warp Server Advanced 4	OS2SSD 3.40A NICSSD 1.40A	SmartStart CD and www.compaq.com ¹³
IBM OS/2 Warp Server Advanced 4 SMP	OS2SSD 3.40A NICSSD 1.40A	SmartStart CD and www.compaq.com ¹³
Sun Solaris Version 7	Drivers included in the OS	http://access1.sun.com/drivers/
Sun Solaris X86 2.6	DU3	http://access1.sun.com/drivers/
Banyan VINES 7.0	PAT 3.05 LAT 3.03	SmartStart CD and www.compaq.com ¹³
Banyan VINES 8.0	PAT 3.05 LAT 3.03	SmartStart CD and www.compaq.com ¹³
Banyan VINES 8.5	PAT 3.05 LAT 3.03	SmartStart CD and www.compaq.com ¹³

Technical Specifications

- ¹ Data transfer rates will vary from 150 KB/s to 4800 KB/s.
- ² Certain restrictions and exclusions apply. Consult the Compaq Customer Support Center at 1-800-345-1518 for details.
- ³ Data transfer rates will vary from 150 KB/s to 3600 KB/s.
- ⁴ For complete compatibility information, refer to the Compaq SCSI Hard Drive Compatibility table located at <http://www.compaq.com/products/servers/storage/index-drives.html>. Using hard drives in unsupported configurations will result in voiding of the warranty and could result in damage to the drive and/or loss of data.
- ⁵ Requires purchase and installation of Wide Ultra2 SCSI Drive Cage (382157-B21).
- ⁶ Need to order ProLiant 3000/5500 Cable Option Kit (306585-B21) when connecting more than one SCSI channel internally on these controllers.
- ⁷ Anticipated performance of the DLT Library should be verified by using the Compaq Backup Configuration Tool, downloadable from the Compaq website at <http://www.compaq.com/products/servers/storage/cheyennetool.html> and with the DLT Library Performance Whitepaper ECG046/0298.
- ⁸ The DLT 15 Cartridge Library Model 20/40 or Model 35/70 can be mounted in a Compaq rack. To use any model of the library on a tabletop, the customer would purchase one of the Library Models listed above and would also order the Tabletop Conversion Kit (295162-B21) to provide metal top and side covers. Refer to the Compaq DLT Libraries QuickSpec for details.
DLT Library Model 20/40 or 3570 includes one 20/40 DLT data cartridge or one 35/70 DLT data cartridge and three empty 5-cartridge magazines. US 350362-001/-002 (1 drive/2 drive) includes U.S. power cord, US 295555-001/-002 (1 drive/2 drive) includes U.S. power cord, Int' 1 -B31/B32 (1 drive/2 drive) CTO power cord for country ordering the unit.
- ⁹ Models not available in North America.
- ¹⁰ The 96 slot TL895 library unit (2 drive & 5 drive) require country kits (349386-001, 349386-011, 349386-AR1, 349386-021, 349386-031, 349386-111, 349386-061, 349386-081 or 349386-291), SCSI Cable kits (328215-001, 328215-002, 328215-003 or 328215-004) and ProLiant Connectivity Kits (113395-001 or 113396-001). Please refer to the 96 Slot DLT Library QuickSpecs for further details.
- ¹¹ Customers outside North America should order Rack UPS model R3000h (242705-002) in order to receive the correct power cord for your specific country/region.
- ¹² Additional purchase of the Wide Ultra2 SCSI Cable Option Kit (104936-B21) required to support the non hot-plug Ultra2 Drives in the removeable media bays.
- ¹³ Punch-out diskettes only.