

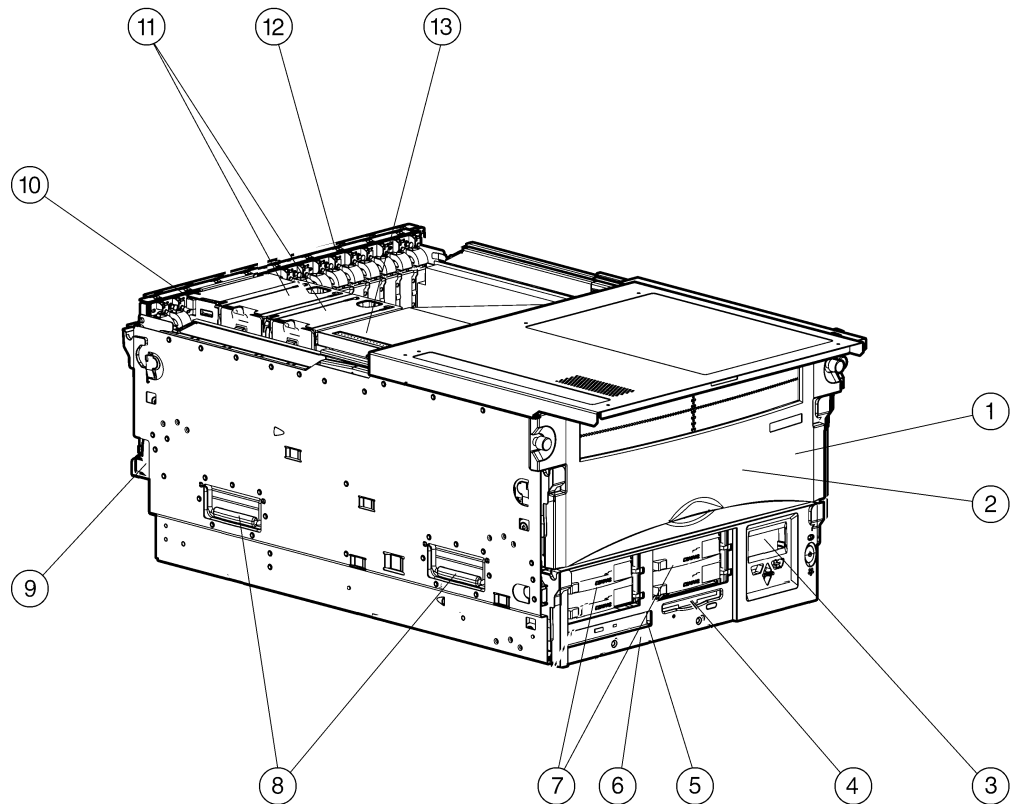
Overview

WHAT'S NEW

- Intel Pentium® III Xeon™ 700 MHz Processors (up to eight processors)

AT A GLANCE

- The ultimate high-density data center server delivering breakthrough 8-way scalable performance for 7 x 24 multi-server rack environments
- 8-way server with Compaq/Intel co-developed Profusion architecture and Pentium® III Xeon™ support
- 7U rack-optimized design
- New modular design for increased ease of serviceability and future upgradability
- Supports one to eight Intel 700 MHz or 550 MHz Pentium III Xeon processors with 100-MHz front-side bus & full speed cache
- 512-KB, 1-MB, and 2-MB L2 Cache
- ECC-protected memory bus and cache
- 100-MHz SDRAM DIMM 2-way interleaved memory that is expandable to 8 GB (future upgradability to 16 GB)
- Integrated Smart Array Controller (Ultra2 support) (RAID 0, 0 + 1, 5 support)
- NC3131 Fast Ethernet NIC Dual Port 64 PCI 10/100, upgradable to Gigabit Ethernet
- Internal Hot Plug Drive Storage of 72.8 GB (4 x 1" 18.2-GB Wide Ultra2/Ultra3 SCSI hard drives). 35.2 TB of external storage using Fibre Channel Host Adapters, Hubs and Array Storage Subsystems
- Robust set of hot plug and redundant features including PCI Hot Plug, hot plug drive bays, redundant hot plug fans and power supplies and support for ECC memory, redundant NICs, ASR-2
- Integrated Remote Console (IRC)
- Remote-Flash Redundant ROM
- Remote ROM Flash
- Remote Redundant ROM
- Protected by Compaq Services, including a limited next day, three-year parts, labor and on-site warranty with optional 4 -hour response. Pre-Failure Warranty and Compaq Service and Support Programs available on a Worldwide basis— Certain restrictions and exclusions apply. Consult the Compaq Customer Support Center for details.



1. Processor/Memory Module
2. One to eight Pentium III Xeon Processors with Redundant Processor Power Module
3. Integrated Management Display (IMD) (Optional for 512K Model)
4. Integrated 1.44-MB Diskette Drive
5. Integrated High Speed IDE CD-ROM Low-Profile
6. Media Module
7. Four 1" Wide Ultra2/Ultra3 SCSI Hot Plug Drive Bays
8. Integrated Lift Handles
9. Two Redundant Hot Plug Power Supplies (single Hot Plug Power supply on 512K Model)
10. I/O Module
11. Redundant Hot Plug Fans
12. Eleven 64-Bit PCI I/O expansion slots (2 x 66 MHz, 9 x 33 MHz) all PCI Hot Plug
13. System Interconnect Status Indicators

QUICK SPECS

Compaq ProLiant 8500

Standard Features

MODELS

Compaq ProLiant™ 8500

Available in multiple configurations.

For model availability, contact your Compaq Representative.

Processor – One of the following:

Intel Pentium III Xeon processors 700 MHz
Intel Pentium III Xeon processors 550 MHz

Cache Memory – One of the following:

2-MB level 2 writeback cache per processor standard (depending on model)
1-MB level 2 writeback cache per processor standard (depending on model)
2-MB level 2 writeback cache per processor optional
512-KB level 2 writeback cache per processor standard (depending on model)
1-MB or 2-MB level 2 writeback cache per processor optional

Cache Accelerator – One of the following:

Cache Accelerator Standard
Cache Accelerator Optional

Memory – One of the following:

Standard 4096 MB ECC protected SDRAM DIMMs
Maximum 16 GB

Standard 2048 MB ECC protected SDRAM DIMMs
Maximum 16 GB

Standard 1024 MB ECC protected SDRAM DIMMs
Maximum 16 GB

Standard 256 MB ECC protected SDRAM DIMMs
Maximum 16 GB

Network Controller

NC3131 64-bit PCI dual port 10/100 Controller upgradable to Gigabit

Expansion Slots

I/O (Total)	11 Total (64-Bit PCI)
PCI 66 MHz (Hot Plug)	2
PCI 33 MHz (Hot Plug)	9

Storage Controllers

Integrated Smart Array Controller (Ultra2) (One Internal Channel for RAID Capability for internal drives)
(One External Channel for tape support only)
Optional support for Ultra2 in a PCI slot

Storage

Diskette Drive	Integrated 1.44 MB Floppy Drive
CD-ROM	Integrated High Speed IDE CD-ROM drive Low-Profile
Hard Drives	One of the following: None Four 9.1-GB Wide Ultra2 10,000 rpm Drives
Maximum Internal Storage	72.8 GB (internal hot plug cage only)

Standard Features

Interfaces

Parallel	1
Serial	2
Pointing Device (mouse)	1
Graphics	1
Keyboard	1
SCSI Tape Port (VHDCI)	1
Network RJ-45	2

Graphics

Integrated 1280 x 1024, 256 colors PCI Video controller with 2 MB of video SGRAM memory

Form Factor

7U Rack Form Factor; Ships with sliding rack rails and cable management arm; Standard 19" rack-mountable

Compaq Software

Compaq <i>Insight Manager™</i>	The comprehensive system management tool that monitors the operation of Compaq servers, workstations and clients
Compaq <i>SmartStart™</i>	The server configuration and software integration tool from Compaq
Array Configuration Utility (ACU) with Smart Array Controllers	Same easy to use yet powerful Graphical User Interface (GUI) configuration utility and easy to navigate wizards for all Smart Array Controllers
Intelligent Manageability	ROM-based configuration utility
Compaq Advanced Network Fault Detection and Correction Feature	
Rack Builder	

Manageability

Compaq Insight Manager
 Compaq Remote Insight/PCI Board (optional)
 Integrated Remote Console-IRC
 Integrated Management Display (IMD) (optional for 512K Model)
 Integrated Management Log (IML)
 Server Health logging
 Automatic Server Recovery-2 (ASR-2)
 System Interconnect Status Indicators
 Remote-Flash Redundant ROM
 Recovery Server Option
 Off-Line Backup Processor capability
 Compaq Power Down Utility
 Compaq Power Supply Viewer
 Pre-Failure Warranty (covers processors, as well as hard drives and memory)

Availability

PCI Hot Plug with push button functionality
 Redundant Hot Plug Fans
 Smart Array 4200 Controller (optional)
 Smart Array 3200 Controller (optional)
 Dynamic sector repairing and drive parameter tracking (with Smart Array controllers)
 Redundant Processor Power Modules
 Redundant/adaptive load balancing NIC Support
 Hot Plug Dual Port 10/100 TX NIC
 Redundant Hot Plug Power Supplies
 ECC Memory

Standard Features

Security

- Power-on password
- Hot plug keyboard password
- Diskette drive control
- Diskette boot control
- Network server mode
- Security provision
- Parallel and serial interface control
- Administrator's password
- Disk configuration lock
- Hot plug access security

Power Supply

Two Redundant Hot Plug 1150/500-Watt power supplies per system (single 1150/500-Watt power supply on 512K Model). Power supplies are load sharing and provide 1150 Watts of Redundant power for 220 volt input or 500 Watts of Redundant power for 110 volt input.

Required Cabling

For required cabling information, refer to the Compaq web site at <http://www.compaq.com/products/servers/proliant8500>. Please note this web site is available in English only.

OS Support

- Microsoft Windows NT
- Microsoft Windows 2000 Server
- Novell NetWare
- SCO UnixWare and OpenServer
- Sun Solaris™ 7 for Intel Platform Edition
- Sun Solaris™ 8 for Intel Platform Edition
- Linux:
 - Red Hat
 - SuSE (planned)
 - TurboLinux (planned)

Service and Support

Compaq Services provides a wide range of service offerings, including a three-year, limited warranty fully supported by a worldwide network of resellers and service providers, lifetime toll-free 7 x 24 hardware technical phone support, and Pre-Failure Warranty coverage of hard drives, memory and processors. Disaster recovery services are available through partnership with Comdisco.

Note: Certain restrictions and exclusions apply. Consult the Compaq Customer Support Center at 1-800-345-1518 for details. In Canada, consult the Product Information Center at 1-800-567-1616 for details.

QUICKSPECS

Compaq ProLiant 8500

Standard Features

Models

6/700-2 MB Model 8-4096 MB
168758-001
[NA, EMEA only](#)

Processor(s)	(8) Intel Pentium III Xeon 700 MHz	Hard Drives	Four 9.1-GB Wide Ultra2 10,000 rpm
Cache Memory	2-MB Level 2 writeback per processor	Network Controller	NC3131 64-bit PCI dual port 10/100
Cache Accelerator	Standard	Storage Controller	Integrated Smart Array Controller
Memory	SDRAM DIMM	Internal Storage	72.8 GB maximum
Standard	4096 MB	Optical Drive	High Speed IDE CD-ROM Drive
Maximum	16 GB	Form Factor	7U Rack Form Factor

6/700-2 MB Model 4-2048 MB
159378-001

Processor(s)	(4) Intel Pentium III Xeon 700 MHz	Hard Drives	None
Cache Memory	2-MB Level 2 writeback per processor	Network Controller	NC3131 64-bit PCI dual port 10/100
Cache Accelerator	Standard	Storage Controller	Integrated Smart Array Controller
Memory	SDRAM DIMM	Internal Storage	72.8 GB maximum
Standard	2048 MB	Optical Drive	High Speed IDE CD-ROM Drive
Maximum	16 GB	Form Factor	7U Rack Form Factor

6/700-1 MB Model 2-1024 MB
159380-001

Processor(s)	(2) Intel Pentium III Xeon 700 MHz	Hard Drives	None
Cache Memory	1-MB Level 2 writeback per processor	Network Controller	NC3131 64-bit PCI dual port 10/100
Cache Accelerator	Standard	Storage Controller	Integrated Smart Array Controller
Memory	SDRAM DIMM	Internal Storage	72.8 GB maximum
Standard	1024 MB	Optical Drive	High Speed IDE CD-ROM Drive
Maximum	16 GB	Form Factor	7U Rack Form Factor

6/550-2 MB Model 8-4096 MB
323400-001
[NA, EMEA only](#)

Processor(s)	(8) Intel Pentium III Xeon 550 MHz	Hard Drives	Four 9.1-GB Wide Ultra2 10,000 rpm
Cache Memory	2-MB Level 2 writeback per processor	Network Controller	NC3131 64-bit PCI dual port 10/100
Cache Accelerator	Standard	Storage Controller	Integrated Smart Array Controller
Memory	SDRAM DIMM	Internal Storage	72.8 GB maximum
Standard	4096 MB	Optical Drive	High Speed IDE CD-ROM Drive
Maximum	16 GB	Form Factor	7U Rack Form Factor

6/550-2 MB Model 4-2048 MB
323300-001

Processor(s)	(4) Intel Pentium III Xeon 550 MHz	Hard Drives	None
Cache Memory	2-MB Level 2 writeback per processor	Network Controller	NC3131 64-bit PCI dual port 10/100
Cache Accelerator	Standard	Storage Controller	Integrated Smart Array Controller
Memory	SDRAM DIMM	Internal Storage	72.8 GB maximum
Standard	2048 MB	Optical Drive	High Speed IDE CD-ROM Drive
Maximum	16 GB	Form Factor	7U Rack Form Factor

QUICK SPECS

Compaq ProLiant 8500

Standard Features

6/550-1 MB Model 2-
1024 MB
323450-001

Processor(s)	(2) Intel Pentium III Xeon 550 MHz	Hard Drives	None
Cache Memory	1-MB Level 2 writeback per processor	Network Controller	NC3131 64-bit PCI dual port 10/100
Cache Accelerator	Standard	Storage Controller	Integrated Smart Array Controller
Memory	SDRAM DIMM	Internal Storage	72.8 GB maximum
Standard	1024 MB	Optical Drive	High Speed IDE CD-ROM Drive
Maximum	16 GB	Form Factor	7U Rack Form Factor

6/550-512K Model 1-
256 MB
323350-001

Processor(s)	(1) Intel Pentium III Xeon 550 MHz	Hard Drives	None
Cache Memory	512K Level 2 writeback per processor	Network Controller	NC3131 64-bit PCI dual port 10/100
Cache Accelerator	Optional	Storage Controller	Integrated Smart Array Controller
Memory	SDRAM DIMM	Internal Storage	72.8 GB maximum
Standard	256 MB	Optical Drive	High Speed IDE CD-ROM Drive
Maximum	16 GB	Form Factor	7U Rack Form Factor

Options

Processor

Redundant power processor module

Pentium III Xeon 6/700-2MB Processor Option Kit	175810-B21
Pentium III Xeon 6/700-1MB Processor Option Kit	167444-B21
Pentium III Xeon 6/550-2MB Processor Option Kit	146170-B21
Pentium III Xeon 6/550-1MB Processor Option Kit	146169-B21
Pentium III Xeon 6/550-512K Processor Option Kit	146168-B21
Cache Accelerator Option Kit	328819-B21

(When both processor busses are populated, the Cache Accelerator Option Kit (328819-B21) is required.)

Note: The increasing power of new high-performance processor technology requires increased cooling efficiency for rack-mounted servers. The new Compaq Rack 9000 series (part numbers 120663-xx1 (42U), 120664-xx1 (36U), 120665-xx1 (22U)) provides enhanced airflow for maximum cooling, allowing these racks to be fully loaded with servers using the latest processors.

When installing a server with Pentium III Xeon processors running at speeds of 550 MHz or greater in Compaq Rack 7000 and 4000 series racks (part numbers 165753-xx1 (42U), and 163747-xx1 (22U)), the new processor technology requires the installation of Compaq's new High Airflow Rack Door Insert, part number 327281-B21 (42U) or 157847-B21 (22U).

Memory (SDRAM DIMMs)

2048-MB SDRAM DIMM Memory Expansion Kit (2 x 1024-MB)	328809-B21
1024-MB SDRAM DIMM Memory Expansion Kit (2 x 512-MB)	328808-B21
512-MB SDRAM DIMM Memory Expansion Kit (2 x 256-MB)	328807-B21
256-MB SDRAM DIMM Memory Expansion Kit (2 x 128-MB)	328806-B21

Hard Drives

Wide Ultra3 Universal Drives – Hot Plug

18.2-GB Wide Ultra3 SCSI 10,000 rpm Drive (1")	142673-B22
9.1-GB Wide Ultra3 SCSI 10,000 rpm Drive (1")	142671-B22

Wide Ultra2 Universal Drives – Hot Plug

18.2-GB Wide Ultra2 SCSI 10,000 rpm Drive (1")	128418-B22
18.2-GB Wide Ultra2 SCSI Drive (1")	388144-B22
9.1-GB Wide Ultra2 SCSI 10,000 rpm Drive (1")	328939-B22
9.1-GB Wide Ultra2 SCSI Drive (1")	123065-B22

Storage Controllers

Smart Array 431 Controller	127695-B21
Smart Array 431 Controller (Japan)	127695-291
Smart Array 221 Controller	388099-B21
Smart Array 221 Controller (Japan)	388099-291
Smart Array 4200 Controller	295636-B21
Smart Array 4200 Controller (Japan)	295636-291
Smart Array 3200 Controller	295643-B21
Smart Array 3200 Controller (Japan)	295643-291
64-bit/66-MHz Dual Channel Wide Ultra3 SCSI Adapter	129803-B21
(The 64-bit/66-MHz Dual Channel Wide Ultra3 SCSI Adapter (129803-xx1) will default to Wide Ultra2 when not used with the Wide Ultra3 hard drives.)	
64-bit/66-MHz Dual Channel Wide Ultra3 SCSI Adapter (Japan)	129803-291
(The 64-bit/66-MHz Dual Channel Wide Ultra3 SCSI Adapter (129803-xx1) will default to Wide Ultra2 when not used with the Wide Ultra3 hard drives.)	

Options

Storage Controllers *(continued)*

64-bit/66-MHz Single Channel Wide Ultra3 SCSI Adapter (The 64-bit/66-MHz Single Channel Wide Ultra3 SCSI Adapter (154457-xx1) will default to Wide Ultra2 when not used with the Wide Ultra3 hard drives.)	154457-B21
64-bit/66-MHz Single Channel Wide Ultra3 SCSI Adapter (The 64-bit/66-MHz Single Channel Wide Ultra3 SCSI Adapter (154457-xx1) will default to Wide Ultra2 when not used with the Wide Ultra3 hard drives.)	154457-291

Secondary Storage Controllers

Wide-Ultra SCSI-3 Adapter	272514-001
---------------------------	------------

Communications

Compaq NC3122 Fast Ethernet NIC PCI Dual 10/100	317450-B21
Compaq NC3131 Fast Ethernet NIC 64 PCI Dual Base 10/100	338456-B21
Compaq NC3132 Fast Ethernet Module Dual 10/100 Upgrade Module for NC3131	338456-B22
Compaq NC6132 Gigabit Module 1000 SX Upgrade Module for NC3134 and NC3131	338456-B23
Compaq NC6133 Gigabit Module 1000LX Upgrade Module for NC3134 and NC3131	338456-B24
Compaq NC3133 Fast Ethernet Module 100FX Upgrade Module for NC3134 and NC3131	338456-B25
Compaq NC6134 Gigabit NIC 64 PCI 1000SX	174818-B21
Compaq NC3123 Fast Ethernet NIC PCI 10/100 WOL	174830-B21
Compaq NC3120 10/100 TX PCI UTP Controller	317600-B21
Compaq NC4621 Token Ring NIC PCI 4/16 WOL	379956-B21
ServerNet PCI Adapter	309833-B22
4M Cable	309834-B23
30M Cable	309834-B22

Redundant Options

1150/500-Watt Hot Plug N + 1 redundant power supply (North America)	401231-001
---------------------------------------------------------------------	------------

Management Options

Integrated Management Display	264377-B23
Integrated Management Display (Opal)	127409-B21
Compaq Remote Insight – Lights Out Edition (NA, LA)	157866-001
Compaq Remote Insight Lights-Out Edition (EURO)	157866-021
Compaq Remote Insight Lights-Out Edition (APD, Japan)	157866-371
Compaq Remote Insight (PCI) LAN + NA Modem	294013-002
Compaq Remote Insight (PCI) LAN + NA Modem (PAN EURO)	294013-B32
Compaq Remote Insight Board (PCI) LAN/Serial without modem	294013-B24
Compaq Remote Insight Board (PCI) LAN/Serial without modem (Japan)	294013-294
Compaq Remote Insight Board (PCI) LAN only	294013-B25
Compaq Remote Insight Board (PCI) LAN only (Japan)	294013-295

Monitors

TFT8020 18" Flat Panel Monitor (Opal)	326100-001
TFT8020 18" Flat Panel Monitor (Carbon)	159244-001
TFT8020 18" Flat Panel Monitor (Opal, bulked packed, two monitor heads per box)	173610-001
TFT5000R Flat Panel Monitor	120207-001
TFT5000R Flat Panel Monitor (Int'l)	120207-B31
TFT5000R Flat Panel Monitor (Japan)	120207-291

Options

Monitors *(continued)*

TFT5010 15" Flat Panel Monitor (Opal)	104741-001
TFT5010 15" Flat Panel Monitor (Carbon)	154486-001
P1610 Color	305708-001
P1100 Color	325606-001
P900 Color	386326-001
P700 Color	380207-001
V1100 Color	386472-001
V700 Color (opal)	325800-001
V500 Color	325900-001
S910 Color	138485-001
S710 Color	152991-001
S510 Color	168636-001

Note: Monitors larger than 17" may be too heavy for use in rack systems.

External Tape Drives (External only supported)

External 20/40-GB DAT DDS-4 Drive	157770-001
External 20/40-GB DAT DDS-4 Tape Drive (Int'l)	157770-B31
External 20/40-GB DAT DDS-4 Tape Drive (Japan)	157770-291
20/40-GB DAT 8 Cassette Autoloader External	166505-001
20/40-GB DAT 8 Cassette Autoloader External (Int'l)	166505-B31
20/40-GB DAT 8 Cassette Autoloader External (Japan)	166505-291
External 35/70-GB DLT Drive	242521-B21
External 35/70-GB DLT Drive (Japan)	242521-291
External 20/40-GB DLT Drive (Opal)	340744-B22
External 20/40-GB DLT Drive (Opal) (Japan)	340744-292
External AIT 50-GB Tape Drive	157770-001
External AIT 50-GB Tape Drive (Int'l)	157767-B31
External AIT 50-GB Tape Drive (Japan)	157767-291
External AIT 35-GB Tape Drive	388507-001
External AIT 35-GB Tape Drive (Int'l)	388507-B31
External AIT 35-GB Tape Drive (Japan)	388507-291
DDS-4 Media (10 pack)	152842-001
20/40-GB DAT 8 Cassette Magazine with Media	171532-B21
12.0-GB DDS-3 DAT Cassette (10 Pack)	295515-B21
DAT Cleaning Cassette	242781-001
AIT 35-GB Data Cassette (five pack)	402371-B21
AIT 50-GB Data Cassette (five pack)	152841-001
DLT IV Drive Cartridge (single)	295194-B21
DLT IV Drive Cartridge (seven pack)	295192-B21
DLT Cleaning Cartridge	199704-001

Options

External Storage - Tower

Compaq StorageWorks™ Enclosure Model 4214T (tower)	124875-001
Compaq StorageWorks Enclosure Model 4214T (tower) (Int'l)	124875-B31
Compaq StorageWorks Enclosure Model 4214T (tower) (Japan)	124875-291
Note: The Compaq StorageWorks Enclosure 4200 Family support the Wide Ultra2/Ultra3 1" Hot Plug Hard Drives.	
SCSI Storage Expander II	332609-001
SCSI Storage Expander II (Int'l)	332609-B21
SCSI Storage Expander II (Japan)	332609-291
ProLiant Storage System Tower Model UE	348710-002
ProLiant Storage System Tower Model UE (Int'l)	348710-B31
ProLiant Storage System Tower Model UE (Japan)	348710-291
ProLiant Storage System Tower Model U2	304110-B22
ProLiant Tower Storage System Model U2 (Int'l)	304114-B32
ProLiant Tower Storage System Model U2 (Japan)	304114-292
Note: The Compaq ProLiant Storage System Models UE and U2 support the Wide-Ultra SCSI-3 Drives.	
ProLiant Storage System Model F1 or U1 to Model UE Upgrade Kit	348718-B21
ProLiant Storage System Model F1 or U1 to Model UE Upgrade Kit (Japan)	348718-291
ProLiant Storage System Model F2 or U2 to Model UE Upgrade Kit	348706-B21
ProLiant Storage System Model F2 or U2 to Model UE Upgrade Kit (Japan)	348706-291
Conversion Kit, SB to DB/U	304116-B21
Conversion Kit, DB to SB/U	304115-B21
ProLiant Storage System/U Redundant Power Supply Option	224206-001
ProLiant Storage System/U Redundant Power Supply Option (Int'l)	224214-001
StorageWorks Enclosure 4200 Redundant Power Supply Option	119826-B21
StorageWorks Enclosure 4200 Ultra2 Dual Bus I/O Module Option	119829-B21
StorageWorks Enclosure 4200 Ultra3 Single Bus I/O Module Option	190212-B21
StorageWorks Enclosure 4200 Ultra3 Dual Bus I/O Module Option	190213-B21
StorageWorks Enclosure Tower to Rack Conversion Kit	150213-B21

External Storage

Compaq StorageWorks Enclosure Model 4214R (rack-mountable)	103381-001
Compaq StorageWorks Enclosure Model 4214R (rack-mountable) (Int'l)	103381-B31
Compaq StorageWorks Enclosure Model 4214R (rack-mountable) (Japan)	103381-291
Compaq StorageWorks Enclosure Model 4254R (rack-mountable)	138151-001
Compaq StorageWorks Enclosure Model 4254R (rack-mountable) (Int'l)	138151-B31
Compaq StorageWorks Enclosure Model 4254R (rack-mountable) (Japan)	138151-291
Note: The Compaq StorageWorks Enclosure 4200 Family support the Wide Ultra2/Ultra3 1" Hot Plug Hard Drives.	
Rack-Mountable SCSI Storage Expander II	332607-001
Rack-Mountable SCSI Storage Expander II (Int'l)	332607-B21
Rack-Mountable SCSI Storage Expander II (Japan)	332607-291
Rack-Mountable ProLiant Storage System Model UE	348700-001
Rack-Mountable ProLiant Storage System Model UE (Int'l)	348700-B31
Rack-Mountable ProLiant Storage System Model UE (Japan)	348700-291
Rack-Mountable ProLiant Storage System Model U2	304100-B22
Rack-Mountable ProLiant Storage System Model U2 (Int'l)	304104-B32
Rack-Mountable ProLiant Storage System Model U2 (Japan)	304104-292

Note: The Compaq ProLiant Storage System Models UE and U2 support the Wide-Ultra SCSI-3 Drives.

Options

External Storage *(continued)*

ProLiant Storage System Model F1 or U1 to Model UE Upgrade Kit	348718-B21
ProLiant Storage System Model F1 or U1 to Model UE Upgrade Kit (Japan)	348718-291
ProLiant Storage System Model F2 or U2 to Model UE Upgrade Kit	348706-B21
ProLiant Storage System Model F2 or U2 to Model UE Upgrade Kit (Japan)	348706-291
Conversion Kit, SB to DB/U	304116-B21
Conversion Kit, DB to SB/U	304115-B21
ProLiant Storage System/F or /U Redundant Power Supply	224206-001
ProLiant Storage System /U Redundant Power Supply (Int'l)	224214-001
StorageWorks Enclosure 4200 Redundant Power Supply Option	119826-B21
StorageWorks Enclosure 4200 Dual Bus I/O Module Option	119829-B21
StorageWorks Enclosure 4200 Ultra3 Single Bus I/O Module Option	190212-B21
StorageWorks Enclosure 4200 Ultra3 Dual Bus I/O Module Option	190213-B21
StorageWorks Enclosure Tower to Rack Conversion Kit	150213-B21

Server Recovery

Recovery Server Option for ProLiant Storage System Model U1 & F 1	304117-B21
ProLiant Storage System RSO/U Tower	387490-002
ProLiant Storage System RSO/U Tower (Int'l)	387490-B32
ProLiant Storage System RSO/U Tower (Japan)	387490-292
Rack-Mountable ProLiant Storage System RSO/U	387256-001
Rack-Mountable ProLiant Storage System RSO/U (Int'l)	387256-B31
Rack-Mountable ProLiant Storage System RSO/U (Japan)	387256-291

Note: The Compaq ProLiant Storage System RSO/U Models support the Wide-Ultra SCSI-3 Drives.

StorageWorks DLT Department Library

TL895 (96 slot) library unit, 2 drive	349350-B22
TL895 (96 slot) library unit, 3 drive	349350-B23
TL895 (96 slot) library unit, 4 drive	349350-B24
TL895 (96 slot) library unit, 5 drive	349350-B25
TL895 (96 slot) library unit, 6 drive	349350-B26
TL895 (96 slot) library unit, 7 drive	349350-B27
TL891 DLT library unit, 1 drive Rack	120876-B21
TL891 DLT library unit, 2 drive Rack	120876-B22
TL881 DLT Library, 1 drive Rack	128669-B21
TL881 DLT Library, 2 drive Rack	128669-B22
Add-On 20/40-GB Drive for TL881	128671-B21
Add-On 20/40-GB Drive for TL881 (Japan)	128671-291
Add-On 35/70-GB Drive for TL891	120878-B21
Add-On 35/70-GB Drive for TL891 (Japan)	120878-291

Options

StorageWorks DLT Department Library *(continued)*

DLT7000 drive upgrade kit (Available for TL895 DLT Library only.)	349351-B21
DLT7000 drive upgrade kit (Japan) (Available for TL895 DLT Library only.)	349351-291
MiniLibrary Data Unit (Available for TL881, TL891 DLT Libraries only.)	128670-B21
MiniLibrary Expansion Unit (Available for TL881, TL891 DLT Libraries only.)	120877-B21
DLT IV Data Cartridges (single pack)	295194-B21
DLT IV Data Cartridges (7 pack)	295192-B21
DLT Cleaning Cartridge	199704-001
MiniLibrary pass-through Mechanism Kit (Available for TL881, TL891 DLT Libraries only.)	120880-B21
10 Slot Magazine (Available for TL881, TL891 DLT Libraries only.)	120881-B21
MiniLibrary Table Top to Rack Mount Conversion Kit, Metric/RETMA racks (Available for TL881, TL891 DLT Libraries only.)	120882-B21
MiniLibrary Table Top to Rack Mount Conversion Kit, Compaq racks (Available for TL881, TL891 DLT Libraries only.)	120883-B21

Note: Please see the TL881, TL891 or TL895 Automated DLT Tape Library Solution QuickSpecs for additional information including Upgrade Kits, Accessories, ProLiant Connectivity Kits, Host Bus Adapters, SCSI Cable Kits, and Localization Kits and additional options needed for a complete solution at http://www1.compaq.com/products/detail/0,1522,wp~16365_2,00.html. Please note this web site is available in English only.

Automated AIT Tape Library Solution

SSL2020 AIT Mini-Library 1 drive, 20 slot Table Top	175195-B21
SSL2020 AIT Mini-Library 2 drive, 20 slot Table Top	175195-B22
SSL2020 AIT Mini-Library 1 drive, 20 slot Rackmount	175196-B21
SSL2020 AIT Mini-Library 2 drive, 20 slot Rackmount	175196-B22
SSL2020 AIT Library Pass Thru with Transport	175312-B21
SSL2020 AIT Library Pass Thru Extender	175312-B22
AIT 50GB Drive Add-On LVD Drive for SSL2020 AIT Library	175197-B21
19 Slot Magazine for SSL2020 AIT Library	175198-B21
AIT 50-GB Data Cassette (5 pack)	152841-001
AIT Cleaning Cassette	402374-B21
Tabletop to Rackmount Upgrade Kit for SSL2020 AIT Library, Compaq Rack	175199-B21
Tabletop to Rackmount Upgrade Kit for SSL2020 AIT Library, RETMA racks	175199-B22

Note: Please see the AIT Automated DLT Tape Library Solution QuickSpecs for additional information including Upgrade Kits, Accessories, and SCSI Cable Kits and additional options needed for a complete solution at http://www1.compaq.com/products/detail/0,1522,wp~16365_2,00.html. Please note this web site is available in English only.

Options

Tape Array Solution

TA1000 AIT Tape Array, Rackmount (US)	175005-001
TA1000 AIT Tape Array, Rackmount (Int'l)	175005-B31
TA1000 AIT Tape Array, Rackmount (Japan)	175005-291
AIT 50-GB Data Cassette (5 pack)	152841-001
AIT Cleaning Cassette	402374-B21
DLT Tape Array Model 0	199860-001
DLT Tape Array II Model 35/70-4 no software	295165-001
DLT Tape Array II Model 35/70-4 no software (Int'l)	295165-B31
DLT IV Data Cartridges (single pack)	295194-B21
DLT IV Data Cartridges (7 pack)	295192-B21
DLT Cleaning Cartridge	199704-001
DLT Library Tabletop Conversion Kit	350384-B21
Tape Array Cable Kit	242427-001

(Available for the DLT Tape Array and DLT Tape Array II only.)

Note: Please see the Compaq TA1000 AIT Tape Array or the Compaq DLT Tape Array II QuickSpecs for additional information including Tape Drives, Cartridges, Controllers, and SCSI Cables and additional options needed for a complete solution at http://www1.compaq.com/products/detail/0,1522,wp-16365_2,00.html. Please note this web site is available in English only.

StorageWorks Enterprise Tape Library

ESL9236D Enterprise Library 6 35/70 Drive	146205-B23
ESL9236D Enterprise Library 8 35/70 Drive	146205-B24
ESL9236D Enterprise Library 10 35/70 Drive	146205-B25
ESL9236D Enterprise Library 12 35/70 Drive	146205-B26
ESL9236D Enterprise Library 14 35/70 Drive	146205-B27
ESL9236D Enterprise Library 16 35/70 Drive	146205-B28
Library Ready 35/70GB Hot-swap drive for ESL9326D	146209-B21
ESL 9000 Pass Through Kit for Multi Unit Connectivity	161268-B21
DLT IV Data Cartridges (single pack)	295194-B21
DLT IV Data Cartridges (7 pack)	295192-B21
DLT Cleaning Cartridge	199704-001

Note: Please see the Compaq StorageWorks Enterprise Backup Solution QuickSpecs for additional information including Tape Drives, Cartridges, Controllers, and SCSI Cables and additional options needed for a complete solution at http://www1.compaq.com/products/detail/0,1522,wp-16365_2,00.html. Please note this web site is available in English only.

RAID Array 4000

StorageWorks Raid Array 4000 (rack)	223100-001
StorageWorks Raid Array 4000 (tower)	241300-001
StorageWorks Raid Array 4100 (rack)	146013-001
StorageWorks Raid Array 4100 (rack) (Int'l)	146013-B31
StorageWorks Raid Array 4100 (rack) (Japan)	146013-291
Fibre Channel Storage Hub 12	295573-001
Fibre Channel Storage Hub 7	234453-001
Compaq Storage Hub 7 Universal Rack Mount Kit	136127-B21
Fibre Channel Storage Hub – 12 Port with 41U/42U Bracket	295573-B22
Compaq Storage Hub 12 Management Option	159262-B21
Fibre Channel Host Adapter Kit/P	223180-B21
Fibre Channel Host Adapter Kit/P (Japan)	223180-291

Options

RAID Array 4000 *(continued)*

StorageWorks Raid Array 4000 Redundant Array Controller	223187-B21
64-bit/66-MHz Fibre Channel Host Adapter	120186-B21
64-bit/66-MHz Fibre Channel Host Adapter (Japan)	120186-291
GBIC-SW Connector Kit (two each)	234459-B21
GBIC-LW Connector Kit (two each)	340412-B21
Fibre Channel Connection Kit, 3 SW GBICS, 2 Cables	380579-B21
Fibre Channel Connection Kit, 2 SW GBICS, 2 Cables	380596-B21
Fibre Channel Short Wave GBIC	380561-B21
Fibre Channel Long Wave GBIC	127508-B21
Fibre Channel Array Controller 64-MB Cache Upgrade Kit	262398-B21
2m Multi-Mode Fibre Channel Cable	234457-B21
5m Multi-Mode Fibre Channel Cable	234457-B22
15m Multi-Mode Fibre Channel Cable	234457-B23
30m Multi-Mode Fibre Channel Cable	234457-B24
50m Multi-Mode Fibre Channel Cable	234457-B25
Raid Array 4000 Redundant Power Supply	224206-001
Raid Array 4000 Tower to Rack Conversion Kit	297162-B21
Raid Array 4100 Rack to Tower Conversion Kit	154253-B21
Upgrade Kit for ProLiant Storage System F and F1	296324-B21
Fibre Channel Troubleshooting Kit	234468-B21

RAID Array 8000

Departmental Pedestal Models

RA8000 FC Single Controller (Opal)	400553-B22
RA8000 FC Dual Controller (Opal)	400552-B22
Expansion Cabinet 24 slot (Opal)	380570-B22

Rack Mountable Models

RA8000 FC Single Controller	400554-B21
RA8000 FC Dual Controller	400700-B21
Expansion Cabinet 24 slot	380568-B21

Note: Please see the Compaq StorageWorks Raid Array 8000, ESA 12000 QuickSpecs for FC Hubs, FC switches, platform software, host adapters, disks and options for complete solutions.

Enterprise Storage Array 12000

ESA Building Blocks

High-Capacity/General Business – Dual Controllers 48 slots, 60 Hz (Opal)	400557-002
High-Capacity/General Business – Dual Controllers 48 slots, 50 Hz (Opal)	400558-B22
High Bandwidth Quad controllers 48 slots, 60 Hz (Opal)	400555-002
High Bandwidth Quad controllers 48 slots, 50 Hz (Opal)	400556-B22
Single Expansion Dual controllers 24 slots, 25U extra cabinet space, 60 Hz (Opal)	400559-002
Single Expansion Dual controllers 24 slots, 25U extra cabinet space, 50 Hz (Opal)	400560-B22
Expansion enclosure 48 slots, 60 Hz (Opal)	380640-002
Expansion enclosure 48 slots, 50 Hz (Opal)	380650-B22

Note: Please see the Compaq StorageWorks Raid Array 8000, ESA 12000 QuickSpecs for FC Hubs, FC switches, platform software, host adapters, disks and options for complete solutions.

Options

StorageWorks Modular Array 6000

MA6000 D14	187738-B21
MA6000 S14	187739-B21

Note: Please see the Compaq StorageWorks MA6000 QuickSpecs for FC Hubs, FC switches, platform software, host adapters, disks and options for complete solutions.

StorageWorks Modular Array 8000/Enterprise Modular Array 12000

EMA12000 D14 60Hz	175990-B21
EMA12000 D14 50Hz	175990-B22
EMA12000 S14 60Hz	175991-B21
EMA12000 S14 50Hz	175991-B22
MA8000 60Hz	175992-B21
MA8000 50Hz	175992-B22
EMA12000 Blue 60Hz	175993-B21
EMA12000 Blue 50Hz	175993-B22

Note: Options include controller, solution kits, ACS. MA8000/EMA12000 includes controller shelf, drive shelves and cabinet. Packaging upgrade to RA8000/ESA12000.

Note: Please see the Compaq StorageWorks MA8000/EMA12000 QuickSpecs for FC Hubs, FC switches, platform software, host adapters, disks and options for complete solutions.

StorageWorks Options

Fibre Channel Tape Controller – II	152975-001
Fibre Channel Tape Controller – II (Int'l)	152975-B31
Fibre Channel Tape Controller – II (Japan)	152975-291
Fibre Channel Storage Switch 16	380578-B21
Fibre Channel Storage Switch 8	380591-B21
Fibre Channel SAN Switch/8 with Fabric Operating Software	158222-B21
Fibre Channel SAN Switch/16 with Fabric Operating Software	158223-B21
F200 Clustering Kit	380357-B21

Uninterruptible Power Systems - Tower

UPS Model T1000 (100-127 volt)	242688-001
UPS Model T1000h (200-240 volt) (Int'l)	242688-002
UPS Model T1500 (100-127 volt)	242688-003
UPS Model T1500h (200-240 Volt) (Int'l)	242688-004
UPS Model T1500j (100-127 Volt) (Japan)	242688-293
UPS Model T2000 (100-127 volt)	242688-005
UPS Model T2000j (100-127 volt) (Japan)	242688-295
UPS Model T2400h-NA (200-240 volt)	242688-006
UPS Model T2400h (200-240 volt) (Int'l)	242688-007
Multi-Server UPS Card	123508-B21
Scalable UPS Card	123509-B21
SNMP-EN Adapter	347225-B21
High to Low Voltage Transformer (250VA)	388643-B21

Uninterruptible Power Supply – Rack-Mountable

Rack-Mountable UPS R1500 (100-127 VAC) (NA)	242704-001
Rack-Mountable UPS R1500h (208-240 VAC) (Int'l)	242704-002
Rack-Mountable UPS R1500j (100-127 VAC) (Japan)	242704-291
Rack-Mountable UPS R3000 (100-127 VAC) (NA)	242705-001
Rack-Mountable UPS R3000h (208-240 VAC) (Int'l)	242705-002

Options

Uninterruptible Power Supply – Rack-Mountable *(continued)*

Rack-Mountable UPS R3000h-NA (208-240 VAC) NDC (non-detached cord)	242705-003
Rack-Mountable UPS R3000j 100-127 VAC) (Japan)	242705-291
Rack-Mountable UPS R6000-NA (208 VAC default) (NA)	347207-001
Rack-Mountable UPS R6000 (230 VAC default) (Int'l)	347207-B31
Rack-Mountable UPS R6000 (200 VAC default) (Japan)	347207-291
R6000 Extended Runtime Module	347224-B21
SNMP-EN Adapter	347225-B21
High to Low Voltage Transformer (250VA)	388643-B21
Multi Server UPS Card	123508-B21
Scalable UPS Card	123509-B21

Note: Please see the Compaq Rack Builder for configuration assistance at www.compaq.com/products/storageworks/rack_accessories/rackbuilderpro2.html or download it at www.compaq.com/support/files/server/softpaqs/Rompag/RackBuilpro.html. Please note these web sites are available in English only.

Compaq Rack 9000 Series (Opal)

Compaq Rack 9142 (42U) – Pallet	120663-B21
Compaq Rack 9142 (42U) – Shock Pallet	120663-B22
Compaq Rack 9142 (42U) – Crated	120663-B23
Compaq Rack 9136 (36U) – Pallet	120664-B21
Compaq Rack 9136 (36U) – Shock Pallet	120664-B22
Compaq Rack 9136 (36U) – Crated	120664-B23
Compaq Rack 9122 (22U) – Pallet	120665-B21
Compaq Rack 9122 (22U) – Shock Pallet	120665-B22
Compaq Rack 9122 (22U) – Crated	120665-B23

Note: -B21 part numbers are for all Geos
 -B22 part numbers are used to ship configured racks (by custom systems, VARs and Channels)
 -B23 part numbers are used for air shipments

Compaq Rack 7000 Series (Beach Gray)

Compaq Rack 7142 (42U) (NA)	165753-001
Compaq Rack 7142 (42U) (Air Shipment)	165753-002
Compaq Rack 7142 (42U) (Int'l)	165753-003
Compaq Rack 7142 (42U) (Japan)	165753-293

Note: The increasing power of new high-performance processor technology requires increased cooling efficiency for rack-mounted servers. The new Compaq Rack 9000 series (part numbers 120663-xx1 (42U), 120664-xx1 (36U), 120665-xx1 (22U)) provides enhanced airflow for maximum cooling, allowing these racks to be fully loaded with servers using the latest processors.

When installing a server with Pentium III Xeon processors running at speeds of 550MHz or greater in Compaq Rack 7000 and 4000 series racks (part numbers 165753-xx1 (42U), and 163747-xx1 (22U)), the new processor technology requires the installation of Compaq's new High Airflow Rack Door Insert, part number 327281-B21 (42U) or 157847-B21 (22U).

Rack Options for Compaq Rack 9000 Series

Baying Kit	120669-B21
9142 Side Panel Kit	120670-B21
9136 Side Panel Kit	120671-B21
Ballast Option Kit	120672-B21
Stabilizer Option Kit	120673-B21
Rack Rail Adapter Kit (25" depth)	120675-B21

Options

Rack Options for Compaq Rack 9000 Series *(continued)*

Fan (110 VAC) Roof Mount	120677-B21
Fan (220 VAC) Roof Mount	120678-B21
Bustle Kit	120679-B21
Grounding Rack Option Kit	120682-B21

Rack Options for Compaq Rack 7000 Series

Rack Sidewall Kit (42U only)	165652-001
Coupling Kit (42U only)	165664-001
Stabilizing Feet (42U only)	189907-001
High Air Flow Rack Door Insert for the 7122 Rack	157847-B21
High Air Flow Rack Door Insert for the 7142 Rack (single)	327281-B21
High Air Flow Rack Door Insert for the 7142 Rack (6-pack)	327281-B22
Compaq Rack Extension Kit for 7142	154392-B21

Rack Options for Compaq Rack 7000 and 9000 Series

Sliding Shelf Kit	332564-B21
Monitor Utility Shelf	303606-B21
Rack Blanking Panel Kit (Beach Gray) (US)	169940-001
Rack Blanking Panel Kit for 9000 Series (Opal) (US)	169940-B21
Compaq Networking Cable Management Kit	292407-B21
Compaq Networking Recessed Rail Management Kit	292406-B21
High Capacity Cable Management Arm Kit	124711-B21
Compaq Power Distribution Unit – Low Voltage PDU (NA)	295363-001
Compaq Power Distribution Unit – Low Voltage PDU (Japan)	295363-291
Compaq Power Distribution Unit – High Voltage PDU (NA)	295363-002
Compaq Power Distribution Unit – High Voltage PDUh-NDC (non-detached cord) (Int'l)	295363-B32
Compaq Power Distribution Unit, 16A (NA Int'l)	295363-B21
Compaq Power Distribution Unit, 30A (NA only)	295363-003
Server Console Switch 1 x 2 port (100-230 VAC)	120206-001
Server Console Switch 1 x 2 port (100-230 VAC) (Int'l)	120206-B31
Server Console Switch 1 x 2 port (100-230 VAC) (Japan)	120206-291
Server Console Switch 1 x 4 port (100-230 VAC)	400336-001
Server Console Switch 1 x 4 port (100-230 VAC) (Int'l)	400336-B31
Server Console Switch 1 x 4 port (100-230 VAC) (Japan)	400336-291
Server Console Switch 1 x 8 port (100-230 VAC)	400337-001
Server Console Switch 1 x 8 port (100-230 VAC) (Int'l)	400337-B31
Server Console Switch 1 x 8 port (100-230 VAC) (Japan)	400337-291
Server Console Switch 2 x 8 port (100-230 VAC)	400338-001
Server Console Switch 2 x 8 port (100-230 VAC) (Int'l)	400338-B31
Server Console Switch 2 x 8 port (100-230 VAC) (Japan)	400338-291
Server Console Switch 2 x 8 port (48VDC)	400542-B21
CPU to Server Console Cable, 12'	110936-B21
CPU to Server Console Cable, 20'	110936-B22
CPU to Server Console Cable, 40'	110936-B23
CPU to Server Console Cable, 3'	110936-B24
CPU to Server Console Cable, 6'	110936-B25
CPU to Server Console Cable (Plenum Rated) 20'	149363-B21

Options

Rack Options for Compaq Rack 7000 and 9000 Series (continued)

CPU to Server Console Cable (Plenum Rated) 40'	149364-B21
Switch Box Connector Kit (115V)	144007-001
Switch Box Connector Kit (230V)	144007-002
Switch Box Connector Kit (high voltage)	144007-B33
Rack Internal Trackball Keyboard (Opal) (UK)	185152-036
Rack Internal Trackball Keyboard (Opal) (Germany)	185152-046
Rack Internal Trackball Keyboard (Opal) (France)	185152-056
Rack Internal Trackball Keyboard (Opal) (Italy)	185152-066
Rack Internal Trackball Keyboard (Opal) (Spain)	185152-076
Rack Internal Trackball Keyboard (Opal) (Denmark)	185152-086
Rack Internal Trackball Keyboard (Opal) (Norway)	185152-096
Rack Internal Trackball Keyboard (Opal) (Sweden/Finland)	185152-106
Rack Internal Trackball Keyboard (Opal) (Switzerland)	185152-116
Rack Internal Trackball Keyboard (Opal) (Portugal)	185152-136
Rack Internal Trackball Keyboard (Opal) (Belgium)	185152-186
Rack Internal Trackball Keyboard (Opal) (Japan)	185152-296
Rack Internal Trackball Keyboard (Opal) (US)	185152-406
Rack Internal Trackball Keyboard (Opal) (Int'l)	185152-B36
1U Rack Keyboard Drawer	338056-B21
Keyboard/Monitor/Mouse extension cables	169989-001

Rack Options for Third Party Rack Cabinets

Depth Adjustable Fixed Rails	332558-B21
------------------------------	------------

Other

Internal Ultra3 Cable Option Kit, HP	166390-B21
--------------------------------------	------------

Service Upgrades (CarePacs)

Hardware Services 4-Hour On-site Service

4-Hour On-site Service, 9-Hour x 5-Day Coverage, 3 Years (2-5-2 Part Number for U.S.)	FM-HE4HR-36
4-Hour On-site Service, 9-Hour x 5-Day Coverage, 3 Years (2-5-2 Part Number for Canada)	FP-HE4HR-36
4-Hour On-site Service, 9-Hour x 5-Day Coverage, 3 Years (6-3 Part Number for U.S.)	401785-002
4-Hour On-site Service, 9-Hour x 5-Day Coverage, 3 Years (6-3 Part Number for Canada)	401785-122
4-Hour On-site Service, 9-Hour x 5-Day Coverage, 3 Years (6-3 Part Number for EMEA)	376907-022
4-Hour On-site Service, 24-Hour x 7-Day Coverage, 3 Years (2-5-2 Part Number for U.S.)	FM-HE724-36
4-Hour On-site Service, 24-Hour x 7-Day Coverage, 3 Years (2-5-2 Part Number for Canada)	FP-HE724-36
4-Hour On-site Service, 24-Hour x 7-Day Coverage, 3 Years (6-3 Part Number for U.S.)	401784-002
4-Hour On-site Service, 24-Hour x 7-Day Coverage, 3 Years (6-3 Part Number for Canada)	401784-122
4-Hour On-site Service, 24-Hour x 7-Day Coverage, 3 Years (6-3 Part Number for EMEA)	376908-022

Options

Service Upgrades (CarePacs) (continued)

Installation & Start-up Services

Hardware Installation (2-5-2 Part Number for U.S.)	FM-HEINS-IN
Hardware Installation (2-5-2 Part Number for Canada)	FP-HEINS-IN
Hardware Installation (6-3 Part Number for U.S.)	401794-002
Hardware Installation (6-3 Part Number for Canada)	401794-122
Hardware Installation (6-3 Part Number for EMEA)	Quote
O/S & Hardware Installation (2-5-2 Part Number for U.S.) (Hardware install plus 2 days O/S start-up activity (installation, configuration, network access & orientation)).	FP-CXHSI-04
O/S & Hardware Installation (6-3 Part Number for U.S.) (Hardware install plus 2 days O/S start-up activity (installation, configuration, network access & orientation)).	160558-002
O/S & Hardware Installation (6-3 Part Number for EMEA) (Hardware install plus 2 days O/S start-up activity (installation, configuration, network access & orientation)).	Quote

Business Solutions Priority Service Plan – Priority Level

5 x 9 4-hour H/W, 5 x 9 2-hour O/S (NT & NetWare), Three Years (2-5-2 Part Number for U.S.)	FP-CX104-36
5 x 9 4-hour H/W, 5 x 9 2-hour O/S (NT & NetWare), Three Years (2-5-2 Part Number for Canada)	FP-CZ104-36
5 x 9 4-hour H/W, 5 x 9 2-hour O/S (NT & NetWare), Three Years (6-3 Part Number for U.S.)	155326-002
5 x 9 4-hour H/W, 5 x 9 2-hour O/S (NT & NetWare), Three Years (6-3 Part Number for Canada)	155326-122
5 x 9 4-hour H/W, 5 x 9 2-hour O/S (NT & NetWare), Three Years (6-3 Part Number for EMEA)	179838-022

Business Solutions Priority Service Plan – Priority 24 Level

7 x 24 4-hour H/W, 7 x 24 2-hour O/S (NT & NetWare), Three years (2-5-2 Part Number for U.S.)	FP-CX204-36
7 x 24 4-hour H/W, 7 x 24 2-hour O/S (NT & NetWare), Three years (6-3 Part Number for U.S.)	155330-002
7 x 24 4-hour H/W, 7 x 24 2-hour O/S (NT & NetWare), Three years (6-3 Part Number for EMEA)	179843-022

Business Solutions Priority Service Plan – Priority Plus Level

7 x 24 4-hour H/W, 7 x 24 1-hour O/S (NT & NetWare), SPS account review, Three Years (2-5-2 Part Number for U.S.)	FP-CX304-36
7 x 24 4-hour H/W, 7 x 24 1-hour O/S (NT & NetWare), SPS account review, Three Years (2-5-2 Part Number for Canada)	FP-CZ304-36
7 x 24 4-hour H/W, 7 x 24 1-hour O/S (NT & NetWare), SPS account review, Three Years (6-3 Part Number for U.S.)	155334-002
7 x 24 4-hour H/W, 7 x 24 1-hour O/S (NT & NetWare), SPS account review, Three Years (6-3 Part Number for Canada)	155338-122

Business Solutions Priority Service Plan – Priority Premier Level

7 x 24 2-hour H/W, 7 x 24 1-hour O/S (NT & NetWare), SPS Account Review, Proactive Management Review, named S/w rep, Three Years (2-5-2 Part Number for U.S.)	FP-CX504-36
7 x 24 2-hour H/W, 7 x 24 1-hour O/S (NT & NetWare), SPS Account Review, Proactive Management Review, named S/w rep, Three Years (2-5-2 Part Number for Canada)	FP-CZ504-36
7 x 24 2-hour H/W, 7 x 24 1-hour O/S (NT & NetWare), SPS Account Review, Proactive Management Review, named S/w rep, Three Years (6-3 Part Number for U.S.)	155338-002
7 x 24 2-hour H/W, 7 x 24 1-hour O/S (NT & NetWare), SPS Account Review, Proactive Management Review, named S/w rep, Three Years (6-3 Part Number for Canada)	155338-122

Options

Service Upgrades (CarePacs) (continued)

Business Solutions Priority Service Plan – Priority Executive Premier Level

7 x 24 2-hour H/W, 7 x 24 30-minutes O/S (NT & NetWare), SPS Account Review, Proactive Management Review, named S/w rep, Three Years (2-5-2 Part Number for U.S.)	FP-CX704-36
7 x 24 2-hour H/W, 7 x 24 30-minutes O/S (NT & NetWare), SPS Account Review, Proactive Management Review, named S/w rep, Three Years (2-5-2 Part Number for Canada)	FP-CZ704-36
7 x 24 2-hour H/W, 7 x 24 30-minutes O/S (NT & NetWare), SPS Account Review, Proactive Management Review, named S/w rep, Three Years (6-3 Part Number for U.S.)	155342-002
7 x 24 2-hour H/W, 7 x 24 30-minutes O/S (NT & NetWare), SPS Account Review, Proactive Management Review, named S/w rep, Three Years (6-3 Part Number for Canada)	155342-122

Note: For more information, customer/resellers can contact www.Compaq.com/services. Please note this web site is available in English only.

Memory

**Compaq ProLiant 8500
6/550-512K Model 1-256**

STANDARD MEMORY

256 MB SDRAM DIMM memory (2 x 128-MB DIMMs)

Standard	Slot							
	1	2	3	4	5	6	7	8
256 MB	128 MB	128 MB	Empty	Empty	Empty	Empty	Empty	Empty
	9	10	11	12	13	14	15	16
	Empty	Empty	Empty	Empty	Empty	Empty	Empty	Empty

STANDARD MEMORY PLUS OPTIONAL MEMORY

Up to 14,592 MB of SDRAM DIMM memory is available with the installation of optional SDRAM DIMM memory expansion kits.

Up To	Slot							
	1	2	3	4	5	6	7	8
14,592 MB	128 MB	128 MB	1024 MB	1024 MB	1024 MB	1024 MB	1024 MB	1024 MB
	9	10	11	12	13	14	15	16
	1024 MB	1024 MB	1024 MB	1024 MB	1024 MB	1024 MB	1024 MB	1024 MB

STANDARD MEMORY REPLACED WITH OPTIONAL MEMORY

Up to 16,384 MB of SDRAM DIMM memory is available with the removal of standard memory and the installation of optional SDRAM DIMM memory expansion kits.

Up To	Slot							
	1	2	3	4	5	6	7	8
16,384 MB	1024 MB	1024 MB	1024 MB	1024 MB	1024 MB	1024 MB	1024 MB	1024 MB
	9	10	11	12	13	14	15	16
	1024 MB	1024 MB	1024 MB	1024 MB	1024 MB	1024 MB	1024 MB	1024 MB

Note: 16 slots with 2 per bank. Up to 16-GB memory total. Memory must be added in banks of two DIMMs. Charts do not represent all possible configurations.

Following memory options are available from Compaq:

- 2048-MB SDRAM DIMMs Memory Expansion Kit (2 x 1024-MB) 328809-B21
- 1024-MB SDRAM DIMMs Memory Expansion Kit (2 x 512-MB) 328808-B21
- 512-MB SDRAM DIMMs Memory Expansion Kit (2 x 256-MB) 328807-B21
- 256-MB SDRAM DIMMs Memory Expansion Kit (2 x 128-MB) 328806-B21

Memory

Compaq ProLiant 8500
6/550-1 MB Model 2-1024 & 6/700-1MB Model 2-1024

STANDARD MEMORY

1024 MB buffered SDRAM DIMM memory (two kits of 2 x 256-MB DIMMs)

	Slot							
Standard	1	2	3	4	5	6	7	8
1024 MB	256 MB	256 MB	256 MB	256 MB	Empty	Empty	Empty	Empty
	9	10	11	12	13	14	15	16
	Empty	Empty	Empty	Empty	Empty	Empty	Empty	Empty

STANDARD MEMORY PLUS

OPTIONAL MEMORY

Up to 13,312 MB of SDRAM DIMM memory is available with the installation of optional SDRAM DIMM memory expansion kits.

	Slot							
Up To	1	2	3	4	5	6	7	8
13,312 MB	256 MB	256 MB	256 MB	256 MB	1024 MB	1024 MB	1024 MB	1024 MB
	9	10	11	12	13	14	15	16
	1024 MB	1024 MB	1024 MB	1024 MB	1024 MB	1024 MB	1024 MB	1024 MB

STANDARD MEMORY REPLACED WITH OPTIONAL MEMORY

Up to 16,384 MB of SDRAM DIMM memory is available with the removal of standard memory and the installation of optional SDRAM DIMM memory expansion kits.

	Slot							
Up To	1	2	3	4	5	6	7	8
16,384 MB	1024 MB	1024 MB	1024 MB	1024 MB	1024 MB	1024 MB	1024 MB	1024 MB
	9	10	11	12	13	14	15	16
	1024 MB	1024 MB	1024 MB	1024 MB	1024 MB	1024 MB	1024 MB	1024 MB

Note: 16 slots with 2 per bank. Up to 16-GB memory total. Memory must be added in banks of two DIMMs. Charts do not represent all possible configurations.

Following memory options are available from Compaq:

- | | |
|----------------------------------------------------------|------------|
| • 2048-MB SDRAM DIMMs Memory Expansion Kit (2 x 1024-MB) | 328809-B21 |
| • 1024-MB SDRAM DIMMs Memory Expansion Kit (2 x 512-MB) | 328808-B21 |
| • 512-MB SDRAM DIMMs Memory Expansion Kit (2 x 256-MB) | 328807-B21 |
| • 256-MB SDRAM DIMMs Memory Expansion Kit (2 x 128-MB) | 328806-B21 |

Memory

Compaq ProLiant 8500
6/550-2 MB Model 4-2048 & 6/700-2MB Model 4-2048

STANDARD MEMORY

2048 MB buffered SDRAM DIMM memory (four kits of 2 x 256-MB DIMMs)

	Standard								Slot							
	1		2		3		4		5		6		7		8	
2048 MB	256 MB		256 MB		256 MB		256 MB		256 MB		256 MB		256 MB		256 MB	
	9		10		11		12		13		14		15		16	
	Empty		Empty		Empty		Empty		Empty		Empty		Empty		Empty	

STANDARD MEMORY PLUS OPTIONAL MEMORY

Up to 10,240 MB of SDRAM DIMM memory is available with the installation of optional SDRAM DIMM memory expansion kits.

	Up To								Slot							
	1		2		3		4		5		6		7		8	
10,240 MB	256 MB		256 MB		256 MB		256 MB		256 MB		256 MB		256 MB		256 MB	
	9		10		11		12		13		14		15		16	
	1024 MB		1024 MB		1024 MB		1024 MB		1024 MB		1024 MB		1024 MB		1024 MB	

STANDARD MEMORY REPLACED WITH OPTIONAL MEMORY

Up to 16,384 MB of SDRAM DIMM memory is available with the removal of standard memory and the installation of optional SDRAM DIMM memory expansion kits.

	Up To								Slot							
	1		2		3		4		5		6		7		8	
16,384 MB	1024 MB		1024 MB		1024 MB		1024 MB		1024 MB		1024 MB		1024 MB		1024 MB	
	9		10		11		12		13		14		15		16	
	1024 MB		1024 MB		1024 MB		1024 MB		1024 MB		1024 MB		1024 MB		1024 MB	

Note: 16 slots with 2 per bank. Up to 16-GB memory total. Memory must be added in banks of two DIMMs. Charts do not represent all possible configurations.

Following memory options are available from Compaq:

- 2048-MB SDRAM DIMMs Memory Expansion Kit (2 x 1024-MB) 328809-B21
- 1024-MB SDRAM DIMMs Memory Expansion Kit (2 x 512-MB) 328808-B21
- 512-MB SDRAM DIMMs Memory Expansion Kit (2 x 256-MB) 328807-B21
- 256-MB SDRAM DIMMs Memory Expansion Kit (2 x 128-MB) 328806-B21

Memory

Compaq ProLiant 8500
6/550-2 MB Model 8-4096 & 6/700-2MB Model 8-4096

STANDARD MEMORY

4096 MB buffered SDRAM DIMM memory (four kits of 2 x 512-MB DIMMs)

	Slot							
Standard	1	2	3	4	5	6	7	8
4096 MB	512 MB	512 MB	512 MB	512 MB	512 MB	512 MB	512 MB	512 MB
	9	10	11	12	13	14	15	16
	Empty	Empty	Empty	Empty	Empty	Empty	Empty	Empty

STANDARD MEMORY PLUS

OPTIONAL MEMORY

Up to 12,288 MB of SDRAM DIMM memory is available with the installation of optional SDRAM DIMM memory expansion kits.

	Slot							
Up To	1	2	3	4	5	6	7	8
12,288 MB	512 MB	512 MB	512 MB	512 MB	512 MB	512 MB	512 MB	512 MB
	9	10	11	12	13	14	15	16
	1024 MB	1024 MB	1024 MB	1024 MB	1024 MB	1024 MB	1024 MB	1024 MB

STANDARD MEMORY REPLACED WITH

OPTIONAL MEMORY

Up to 16,384 MB of SDRAM DIMM memory is available with the installation of optional SDRAM DIMM memory expansion kits.

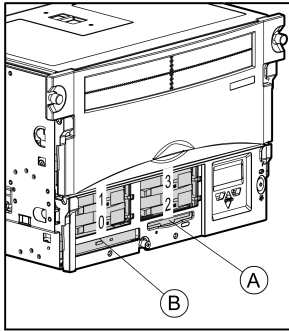
	Slot							
Up To	1	2	3	4	5	6	7	8
16,384 MB	1024 MB	1024 MB	1024 MB	1024 MB	1024 MB	1024 MB	1024 MB	1024 MB
	9	10	11	12	13	14	15	16
	1024 MB	1024 MB	1024 MB	1024 MB	1024 MB	1024 MB	1024 MB	1024 MB

Note: 16 slots with 2 per bank. Up to 16-GB memory total. Memory must be added in banks of two DIMMs. Charts do not represent all possible configurations.

Following memory options are available from Compaq:

- 2048-MB SDRAM DIMMs Memory Expansion Kit (2 x 1024-MB) 328809-B21
- 1024-MB SDRAM DIMMs Memory Expansion Kit (2 x 512-MB) 328808-B21
- 512-MB SDRAM DIMMs Memory Expansion Kit (2 x 256-MB) 328807-B21
- 256-MB SDRAM DIMMs Memory Expansion Kit (2 x 128-MB) 328806-B21

Storage



- Key:
- 0-3 1" Ultra2/Ultra3 Hot Plug drive bays
 - A Integrated 1.44MB Floppy drive
 - B Integrated High Speed IDE CD-ROM Drive (Low-Profile) 2

DRIVE SUPPORT

	Quantity Supported	Position Supported	Controller
Integrated Media			
Integrated 1.44-MB Diskette Drive	Up to 1	A	Integrated
Integrated High Speed IDE CD-ROM Drive (Low-profile)	Up to 1	B	Integrated IDE
Hard Drives			
<i>Wide Ultra3 Hot Pluggable Drives</i>			
1-inch	Up to 4	0-3	Integrated Smart Array Controller
18.2-GB 10,000 rpm			Smart Array 221 Controller
9.1-GB 10,000 rpm			Smart Array 431 Controller
			Smart Array 3200 Controller
			Smart Array 4200 Controller
			64-bit/66-MHz Dual Channel Wide Ultra3 SCSI Adapter
			64-bit/66-MHz Single Channel Wide Ultra3 SCSI Adapter
<i>Wide Ultra2 Hot Pluggable Drives</i>			
1-inch	Up to 4	0-3	Integrated Smart Array Controller
18.2-GB 10,000 rpm			Smart Array 221 Controller
18.2-GB			Smart Array 431 Controller
9.1-GB 10,000 rpm			Smart Array 3200 Controller
9.1-GB			Smart Array 4200 Controller
			64-bit/66-MHz Dual Channel Wide Ultra3 SCSI Adapter
			64-bit/66-MHz Single Channel Wide Ultra3 SCSI Adapter
External Storage			
StorageWorks Enclosure 4200 Family (supports Wide Ultra2/Ultra3 drives)	Up to 40	External	Smart Array 431 Controller
			Smart Array 221 Controller
			Smart Array 3200 Controller
			Smart Array 4200 Controller
			64-bit/66-MHz Dual Channel Wide Ultra3 SCSI Adapter
			64-bit/66-MHz Single Channel Wide Ultra3 SCSI Adapter
ProLiant Storage System UE	Up to 40	External	Smart Array 221 Controller
ProLiant Storage System U2 (supports Wide-Ultra SCSI-3 drives)	(four per Smart Array 4200 controller)		Smart Array 3200 Controller
			Smart Array 4200 Controller
			64-bit/66-MHz Dual Channel Wide Ultra3 SCSI Adapter
			64-bit/66-MHz Single Channel Wide Ultra3 SCSI Adapter
SCSI Storage Expander II	Up to 10 (2 per dual channel SCSI controller)	External	Smart Array 3200
			64-bit/66MHz Dual Channel Wide Ultra3 SCSI Adapter
			64-bit/66MHz Single Channel Wide Ultra3 SCSI Adapter
StorageWorks Raid Array 4000 or 4100 Kit	Up to 12	External	Fibre Channel Host Adapter

Storage

DRIVE SUPPORT *(continued)*

	Quantity Supported	Position Supported	Controller
Maximum Storage Capacity – (SCSI Attached)			
Internal	72.8 GB (4 x 18.2-GB hot pluggable drives)		
External	11.648 TB hot plug SCSI storage (40 x (8 x 36.4 GB Wide-Ultra SCSI-3 1.6"))		
Total	11.72 TB		
Maximum Storage Capacity – (StorageWorks Enclosure SCSI Attached)			
Internal	72.8 GB (4 x 18.2-GB hot pluggable drives)		
External	10.192 TB hot plug SCSI storage (40 x (14 x 18.2 GB 1" Wide Ultra2/Ultra3))		
Total	10.264 TB		
Maximum Storage Capacity – (External RAID Array 4000 Attached)			
Internal	72.8 GB (4 x 18.2-GB hot pluggable drives)		
External	35.235 TB ((36.4 x 8 x 11 enclosures per loop) x 11 PCI Slots)		
Total	35.308 TB		
Tape Drives (External only support)			
20/40-GB DAT DDS-4 8 Cassette Autoloader	Up to 2	External	Integrated Smart Array Controller Dual Channel Wide-Ultra SCSI-3 Adapter Wide-Ultra SCSI-3 Adapter 64-bit/66-MHz Dual Channel Wide Ultra3 SCSI Adapter 64-bit/66-MHz Single Channel Wide Ultra3 SCSI Adapter
AIT 50-GB External AIT 35-GB External	1	External	Integrated Smart Array Controller Dual Channel Wide-Ultra SCSI-3 Adapter Wide-Ultra SCSI-3 Adapter 64-bit/66-MHz Dual Channel Wide Ultra3 SCSI Adapter 64-bit/66-MHz Single Channel Wide Ultra3 SCSI Adapter
DLT Tape Array II Model 35/70	1 to 4 DLT drives per controller	External	Dual Channel Wide-Ultra SCSI-3 Adapter Wide-Ultra SCSI-3 Adapter
TL895 (96 slot) DLT Library (2 – 7 Drive) TL891 DLT Library (1 – 2 Drive) TL881 DLT Library (1 – 2 Drive)	2 drives per SCSI channel	External	Dual Channel Wide-Ultra SCSI-3 Adapter Wide-Ultra SCSI-3 Adapter
External 35/70-GB DLT External 20/40-GB DLT	Up to 3 per controller	External	Integrated Smart Array Controller Dual Channel Wide-Ultra SCSI-3 Adapter Wide-Ultra SCSI-3 Adapter 64-bit/66-MHz Dual Channel Wide Ultra3 SCSI Adapter 64-bit/66-MHz Single Channel Wide Ultra3 SCSI Adapter

Storage

SUPPORTED TAPE DRIVE OPTIONS *(external only)*

Tape Drive	Operating System	Key
20-40-GB DAT DDS-4 8 Cassette Autoloader	Novell NetWare	AS, JS, SE
	Microsoft Windows NT	AS, NT, SE
20/40-GB DAT DDS-4 Tape Drive	Novell NetWare	AS, JS, SE
	SCO UNIX	Native (Tar & CPIO)
	Microsoft Windows NT	AS, NT, SE
AIT 50 GB Tape Drive	Novell NetWare	AS, JS, SE
	SCO UNIX	Native (Tar & CPIO)
	Microsoft Windows NT	AS, NT, SE
AIT 35 GB Tape Drive	Novell NetWare	AS, JS, SE
	SCO UNIX	Native (Tar & CPIO)
	Microsoft Windows NT	AS, NT, SE
35/70-GB DLT	Novell NetWare	AS, JS, LG, SE
	SCO UNIX	AO, UX
	Microsoft Windows NT	AS, NT, SE
20/40-GB DLT	Novell NetWare	AS, JS, LG, SE
	SCO UNIX	AO, UX
	Microsoft Windows NT	AS, NT, SE
DLT Tape Array II Model 35/70	Novell NetWare	LG
	SCO UNIX	UX
	Microsoft Windows NT	LG
TL895 (96 slot) DLT Library (2-7 Drives)	Novell NetWare	AS, SE
	Microsoft Windows NT 4.0	AS, NT, SE, LG
TL891 DLT Library (1-2 Drives)	Novell NetWare	AS, SE
	Microsoft Windows NT 4.0	AS, NT, SE, LG
TL881 DLT Library (1-2 Drives)	Novell NetWare	AS, SE
	Microsoft Windows NT 4.0	AS, NT, SE

Keys to Chart

AL Computer Associates ARCsolo for OS/2
AS Computer Associates ARCserve
JS Computer Associates JETserve
AO Computer Associates ARCserve Open
LG Legato Networker Software from Legato
ST Sytos Plus software
SE Veritas Software Backup Exec

UX Device drivers for Compaq tape drives available from SCO in the SCO Compaq Supplement
NT Microsoft Windows NT support for Compaq tape drives included in operating system
NV Novastor Novaback for OS/2
PS IBM PSnS (Personal Safe n Sound)

Technical Specifications

System Unit

Dimensions (HxWxD)	12.14 x 17.5 x 27 in / 30.83 x 44.45 x 68.58 cm	
Weight	110 lbs/50 kg	
No hard drives installed, two power supplies		
Input Requirements (per power supply)		
Rated Input Voltage	100 to 120 VAC/200 to 240 VAC (lowline/highline)	
Rated Input Frequency	47 to 63 Hz (lowline/highline)	
Input Power	740W/1700W (lowline/highline)	
Rated Input Current	8A at 100 VAC/10A at 200 VAC (lowline/highline)	
BTU Rating (Maximum output)	1555 Watts [5309 BTU/hr]	
(Note that the maximum heat output by the server is equal to the electrical power input.)	(System is configured to draw maximum power)	
SCSI Connector	One VHDCI connector for tape support only	
Power Supply Output Power (per power supply)		
Rated Steady-State Power	500W/1150W (lowline/highline)	
Maximum Peak Power	540W/1150W (lowline/highline)	
Temperature Range		
Operating	50° to 95°F at sea level, altitude de-rating of 1.8°F per 1,000 ft to 10,000 ft (10° to 35°C at sea level, altitude de-rating of 1°C per 300 m to 3,000 m)	
Non-operating	-20 to 140°F/-29° to 60°C	
Shipping	-22° to 122°F/-30° to 50°C	
Relative Humidity (non-condensing)		
Operating	20% to 80%	
Non-operating	5% to 90%	
Maximum Wet Bulb Temperature	101.7°F/38.7°C	
Acoustic Noise	L_{wAd} (BELS)	L_{pAm} (dBA)
Idle (Fixed Disk Drives Spinning)	7.0	54
Operating (Random Seeks to Fixed Disks)	7.0	54

Power Supply

1150/500W, Hot Plug Redundant (2 standard on 1-MB & 2-MB Models; 1 standard on 512K Model)	One or Two Redundant Power Supplies (optimized to provide full redundancy at 220 volts)	
Input Specifications		
Normal Line Voltage	100 to 120 VAC/200 to 240 VAC	
Range Input Line	90 to 132 VAC/180 to 265 VAC	
Frequency Range	47 to 63 Hz	
Power Factor	0.95	
Input Current	8 A at 100 VAC/10 A at 200 VAC	
Inrush Current	< 70 A at 132 VAC (cold start)	
Holdup Time	20 ms from zero crossing at 120 VAC	
General Specifications		
Full Output Rating	To 104°F/40°C and 5,000 ft/1524 m To 89.6°F/32°C and 10,000 ft/3,048 m (derate linearly)	
Minimum Load	1 A on + 5 V output; 1 A on + 12 V output; 0.5 A on + 3.3 V output	
Ambient Temperature Range		
Operating	50° to 104°F/10° to 40°C	
Storage	-40° to 149°F/-40° to 65°C	
Dielectric Voltage Withstand		
Input to Output	3,000 VAC/min	
Input to Ground	1,500 VAC/min	

Technical Specifications

Power Supply *(continued)*

Input Transient Susceptibility

Common and Differential Mode
(superimposed on AC line) 2,500 V, 1 μ s, damped sinusoid 600 V, 10 μ s pulse

Differential Mode 20% step change in AC input voltage

1.44-MB Diskette Drive

Size	3.5 in
LED Indicators (front panel)	Green
Read/Write Capacity per Diskette (high/low density)	1.44 MB/720 KB
Drive Supported	One
Drive Height	11mm
Drive Rotation	300 rpm
Transfer Rate Synchronous (Maximum) (high/low)	500 K/250 K bits/s
Bytes/Sector	512
Sectors/Track (high/low)	18/9
Tracks/Side (high/low)	80/80
Access Times	
Track-to-Track (high/low)	3/6 ms
Average (high/low)	174/94 ms
Settling Time	15 ms
Latency Average (high/low)	83/100 ms
Cylinders (high/low)	80/80
Read/Write Heads	Two

QUICK SPECS

Compaq ProLiant 8500

Technical Specifications

Hot Plug Wide Ultra3 SCSI Hard Drives

18.2 GB 10K	Capacity	18209.3 MB	Seek Time (typical reads, including settling)	
	Height	1 in/25.4 mm	Single Track	0.8 ms
	Width	3.5 in/88.9 mm	Average	5.2 ms
	Interface	Wide Ultra3 SCSI	Full-Stroke	12 ms
	Transfer Rate		Rotational Speed	10,000 rpm
	Synchronous (Maximum)	160 MB/s	Physical Configuration	
			Bytes/Sector	512
			Logical Blocks	35,565,080
			Operating Temperature 50° to 95°F/10° to 35°C	
	<hr/>			
9.1 GB 10K	Capacity	18209.3 MB	Seek Time (typical reads, including settling)	
	Height	1 in/25.4 mm	Single Track	0.8 ms
	Width	3.5 in/88.9 mm	Average	5.0 ms
	Interface	Wide Ultra3 SCSI	Full-Stroke	12 ms
	Transfer Rate		Rotational Speed	10,000 rpm
	Synchronous (Maximum)	160 MB/s	Physical Configuration	
			Bytes/Sector	512
			Logical Blocks	17,773,524
			Operating Temperature 50° to 95°F/10° to 35°C	

Technical Specifications

Hot Plug Wide Ultra2 SCSI Hard Drives

18.2 GB	Capacity	18209.3 MB	Seek Time (typical reads, including settling)	
	Height	1 in/25.4 mm	Single Track	0.8 ms
	Width	3.5 in/88.9 mm	Average	5.7 ms
	Interface	Wide Ultra2 SCSI	Full-Stroke	12.2 ms
	Transfer Rate		Rotational Speed	7200 rpm
	Synchronous (Maximum)	80 MB/s	Physical Configuration	
			Bytes/Sector	512
			Logical Blocks	35,565,080
			Operating Temperature	
			50° to 95°F/10° to 35°C	
18.2 GB	Capacity	18209.3 MB	Seek Time (typical reads, including settling)	
	Height	1 in/25.4 mm	Single Track	0.9 ms
	Width	3.5 in/88.9 mm	Average	6.9 ms
	Interface	Wide Ultra2 SCSI	Full-Stroke	15.0 ms
	Transfer Rate		Rotational Speed	7200 rpm
	Synchronous (Maximum)	80 MB/s	Physical Configuration	
			Bytes/Sector	512
			Logical Blocks	35,565,080
			Operating Temperature	
			50° to 95°F/10° to 35°C	
9.1 GB 10K-II	Capacity	9100.0 MB	Seek Time (typical reads, including settling)	
	Height	1 in/25.4 mm	Single Track	0.8 ms
	Width	3.5 in/88.9 mm	Average	5.4 ms
	Interface	Wide Ultra2 SCSI	Full-Stroke	12.2 ms
	Transfer Rate		Rotational Speed	10,000 rpm
	Synchronous (Maximum)	80 MB/s	Physical Configuration	
			Bytes/Sector	512
			Logical Blocks	17,773,524
			Operating Temperature	
			50° to 95°F/10° to 35°C	
9.1 GB	Capacity	9100.0 MB	Seek Time (typical reads, including settling)	
	Height	1 in/25.4 mm	Single Track	0.8 ms
	Width	3.5 in/88.9 mm	Average	7.5 ms
	Interface	Wide Ultra2 SCSI	Full-Stroke	16.0 ms
	Transfer Rate		Rotational Speed	7200 rpm
	Synchronous (Maximum)	80 MB/s	Physical Configuration	
			Bytes/Sector	512
			Logical Blocks	17,773,524
			Operating Temperature	
			50° to 95°F/10° to 35°C	

Technical Specifications

Low-Profile 24X Max IDE CD-ROM Drive

Disk	
Applicable Disk	CD-DA, CD-ROM (Mode 1 and 2) CD-XA, CD-I (Mode 2, Form 1 and 2) CD-I Ready, CD Extra, Video CD, CD-Bridge Photo CD (Single and Multi-session) CD-WO
Capacity	550 MB (Mode 1, 12 cm) 640 MB (Mode 2, 12 cm)
Diameter	4.7 x 3.15 in/12 x 8 cm
Rotational Speed	4200 rpm maximum
Center Hole	0.6 in/15 mm diameter
Thickness	1.2 mm
Track Pitch	1.6 μ m
Block Size	
Mode 0	2,368, 2,352 bytes
Mode 1	2,352, 2,340, 2,336, 2,048 bytes
Mode 2	2,352, 2,340, 2,336, 2,048 bytes
Interface	IDE (ATAPI)
Access Times (typical)	
Random	< 140 ms
Full-Stroke	< 300 ms
Data Transfer Rate	
Sustained	150 KB/s (sustained 1X)
Burst	2100 to 4800 KB/s
Cache Buffer	128 KB
Start-up Time (typical)	< 10 seconds
Stop Time	< 5 seconds
Operating Conditions	
Temperature	41° to 120°F/5° to 55°C
Humidity	10% to 80%
Dimensions	
(HxWxD, maximum)	12.7 x 131 x 130 mm
Weight	< 0.75 lb/< 340 g

Technical Specifications

Smart Array 221 Controller

Drives Supported	Up to 14 drives (The ProLiant-1600 will support up to six internal hard drives or 12 external hard drives using the ProLiant Storage System Model UE storage enclosure.)
Data Transfer Method	32-bit PCI bus-master
Maximum Transfer Rate per PCI Bus (peak)	133 MB/s
Simultaneous Drive Transfer Channels	One
Total Transfer Rate	80 MB/s per channel
Software Upgradable Firmware	Yes
Cache	6-MB of ECC protected read cache
Reliability Features	
Distributed Data Guarding (RAID 5)	Yes
Drive Mirroring (RAID 1)	Yes
Drive Striping (RAID 0, 0 + 1)	Yes
Automatic Data Recovery	Yes

Smart Array 4200 Controller

Data Compatible with all Smart Array Controllers	Yes
Instant Upgrades to other Smart Array Controllers	Yes
Consistent Software Manageability Tools	Yes
PCI Bus	64-bit, 33-MHz
PCI Peak Data Transfer Rate	266 MB/s
SCSI Protocols Supported	Ultra2, Wide-Ultra
SCSI Peak Data Transfer Rate	320 MB/s total, 80 MB/s per channel
Channels	4
SCSI Ports (external/internal)	4/2
Drives Supported (maximum)	56
Note: Drives Supported (maximum) is based on use of Compaq StorageWorks Enclosure 4200 family (14 hard disk drive enclosure).	
Cache	64-MB battery backed read-write
RAID Support	0, 1, 0+1, 5
Logical Drives (maximum)	32
Online Configuration	Yes
Online Capacity Expansion	Yes
Logical Drive Capacity Extension	Yes
Online Stripe Size Migration	Yes
Online RAID Level Migration	Yes
Online Spare Support	Yes
Automatic Data Recovery	Yes
Drive Roaming	Yes
Redundant Controllers	No

Technical Specifications

Smart Array 3200 Controller

Data Compatible with all Smart Array Controllers	Yes
Instant Upgrades to other Smart Array Controllers	Yes
Consistent Software Manageability Tools	Yes
PCI Bus	32-bit, 33-MHz
PCI Peak Data Transfer Rate	133 MB/s
SCSI Protocols Supported	Ultra2, Wide-Ultra
SCSI Peak Data Transfer Rate	160 MB/s total, 80 MB/s per channel
Channels	2
SCSI Ports (external/internal)	2/2
Drives Supported (maximum)	28
Note: Drives Supported (maximum) is based on use of Compaq StorageWorks Enclosure 4200 family (14 hard disk drive enclosure).	
Cache	64-MB battery backed read-write
RAID Support	0, 1, 0+1, 4, 5
Logical Drives (maximum)	32
Online Configuration	Yes
Online Capacity Expansion	Yes
Logical Drive Capacity Extension	Yes
Online Stripe Size Migration	Yes
Online RAID Level Migration	Yes
Online Spare Support	Yes
Automatic Data Recovery	Yes
Drive Roaming	Yes
Redundant Controllers	No

Technical Specifications

Smart Array 431 Controller

Data Compatible with all Smart Array Controllers	Yes
Instant Upgrades to other Smart Array Controllers	Yes
Consistent Software Manageability Tools	Yes
PCI Bus	64-bit, 66-MHz
PCI Peak Data Transfer Rate	533 MB/s
SCSI Protocols Supported	Ultra3, Ultra2, Wide-Ultra
SCSI Peak Data Transfer Rate	160 MB/s
Channels	1
SCSI Ports (external/internal)	1/1
Drives Supported (maximum)	14
Note: Drives Supported (maximum) is based on use of Compaq StorageWorks Enclosure 4200 family (14 hard disk drive enclosure).	
Cache	16-MB cache engine
RAID Support	0, 1, 0+1 5
Logical Drives (maximum)	32
Online Configuration	Yes
Online Capacity Expansion	Yes
Logical Drive Capacity Extension	Yes
Online Stripe Size Migration	Yes
Online RAID Level Migration	Yes
Online Spare Support	Yes
Automatic Data Recovery	Yes
Drive Roaming	Yes
Redundant Controllers	No

Compaq NC3131 Fast Ethernet NIC 64 PCI Dual Port 10/100

Network Interface	10Base-T/100Base-TX
Compatibility	IEEE 802.3/802.3u compliant
Data Transfer Method	32/64-bit bus-master PCI
Network Transfer Rate	
10Base-T (Half-Duplex), 10Base-2	10 Mb/s
10Base-T (Full-Duplex)	20 Mb/s
100Base-TX (Half-Duplex)	100 Mb/s
100Base-TX (Full-Duplex)	200 Mb/s
Connector	Dual RJ-45
I/O Address and Interrupt	Automatic Configuration
Cable Support	
10Base-T/100Base-TX	Categories 3, 4 or 5 UTP (2 or 4 pair); up to 328 feet (100 meters)
	Category 5 UTP (2 pair); up to 328 feet (100 meters)
OS Driver Support	Novell NetWare Server v 4.x and 5.x, Microsoft Windows NT 4.0, SCO OpenServer 5.x, UnixWare 7.x

Technical Specifications

Compaq NC3122 Dual 10/100 UTP Controller

Network Interface	10Base-T/100Base-TX
Compatibility	IEEE 802.3/802.3u compliant
Data Transfer Method	32-bit bus-master PCI
Network Transfer Rate	
10Base-T (Half-Duplex), 10Base-2	10 Mb/s
10Base-T (Full-Duplex)	20 Mb/s
100Base-TX (Half-Duplex)	100 Mb/s
100Base-TX (Full-Duplex)	200 Mb/s
Connector	Dual RJ-45
I/O Address and Interrupt	Automatic Configuration
Cable Support	
10Base-T/100Base-TX	Categories 3, 4 or 5 UTP (2 or 4 pair); up to 328 feet (100 meters)
	Category 5 UTP (2 pair); up to 328 feet (100 meters)
OS Driver Support	Novell NetWare Server v 4.x and 5.x, Microsoft Windows NT 4.0, OpenServer 5.x, SCO UnixWare 7.x

64-bit/66-MHz Single Channel Wide Ultra3 SCSI Adapter

Drives Supported	Up to 14 SCSI devices
Storage Capacity	254.8 GB
Data Transfer Method	64-bit/66-MHz PCI bus-master
Maximum SCSI Channel Transfer Rate	160 MB/s per channel
Maximum Transfer Rate per PCI Bus (peak)	532 MB/s per channel
SCSI Protocols	Wide Ultra3 SCSI Wide Ultra2 SCSI Wide-Ultra SCSI-3 Fast-Wide SCSI-2 Fast SCSI-2
Electrical Protocol	Low Voltage Differential (LVD)
SCSI Termination	Active Termination
External SCSI Connectors	One 68-pin Wide-Ultra SCSI-3 connector
Internal SCSI Connectors	Two 68-pin Wide-Ultra SCSI-3 connectors (one LVD and one SE) One 50-pin Narrow Ultra connector

64-bit/66-MHz Dual Channel Wide Ultra3 SCSI Adapter

Drives Supported	Up to 28 SCSI devices(14 per channel)
Storage Capacity	509.6 GB
Data Transfer Method	64-bit/66-MHz PCI bus-master
Maximum SCSI Channel Transfer Rate	160 MB/s per channel
Maximum Transfer Rate per PCI Bus (peak)	532 MB/s per channel
SCSI Protocols	Wide Ultra3 SCSI Wide Ultra2 SCSI Wide-Ultra SCSI-3 Fast SCSI-2
Electrical Protocol	Low Voltage Differential (LVD)
SCSI Termination	Active Termination
External SCSI Connectors	Two 68-pin VHDCI connectors
Internal SCSI Connectors	Two 68-pin Wide Ultra SCSI-3 connectors One 50-pin Narrow Ultra connector

QUICKSPECS

Compaq ProLiant 8500

Technical Specifications

Compaq Rack 9142 (42U) (optional)

Dimensions	Total Cabinet	Shipping	Color
Height	78.7 in/2,000 mm	83.38 in/2,168.65 mm	
Depth	35.8 in/909 mm	48 in/121.92 mm	Opal
Width	23.7 in/603 mm	32 in/812.8 mm	
Weight	253 lbs/114.84 kg	325 lbs/147.52 kg	

Compaq Rack 9136 (36U) (optional)

Dimensions	Total Cabinet	Shipping	Color
Height	68.6 in/1,742 mm	75.25 in/1,911.35 mm	
Depth	35.8 in/909 mm	48 in/121.92 mm	Opal
Width	23.7 in/603 mm	32 in/812.8 mm	
Weight	165 lbs/75 kg	234 lbs/106 kg	

Compaq Rack 9122 (22U) (optional)

Dimensions	Total Cabinet	Shipping	Color
Height	43 in/1,092 mm	52.25 in/1,327.15 mm	
Depth	35.8 in/909 mm	48 in/121.92 mm	Opal
Width	24 in/610 mm	32 in/812.8 mm	
Weight	176 lbs/79.89 kg	225 lbs/102.13 kg	

Compaq Rack 7142 (42U) (optional)

Dimensions	Total Cabinet	Usable Area	Shipping
Height	85 in/215.9 cm	73.5 in/186.69 cm	90.75 in/230.5 cm
Depth	33.25 in/84.45 cm	29.21 in/74.196 cm	48 in/121.92 cm
Width	23.25 in/59.05 cm	19 in/48.26 cm	32 in/81.28 cm
Weight	253 lbs/114.84 kg	—	325 lbs/147.52 kg

OS Driver Support

Operating Systems	Current Drivers	Driver Location (Punch-out diskettes only.)
Microsoft Windows NT Server 4.0	NTSSD 2.17a	SmartStart CD and www.compaq.com
Microsoft Windows NT Server, Enterprise Edition 4.0	NTSSD 2.17a	SmartStart CD and www.compaq.com
Microsoft Windows NT Server 4.0, Terminal Server Edition	NTSSD 2.17a	SmartStart CD and www.compaq.com
Microsoft Windows 2000 Server	Support Software Bundle for Windows 2000 5.02a	
Novell NetWare 4.11	NSSD 5.50a	SmartStart CD and www.compaq.com
Novell NetWare 4.11 SMP	NSSD 5.50a	SmartStart CD and www.compaq.com
Novell NetWare 4.2	NSSD 5.50a	SmartStart CD and www.compaq.com
Novell NetWare 4.2 SMP	NSSD 5.50a	SmartStart CD and www.compaq.com
Novell NetWare 5	NSSD 5.50a	SmartStart CD and www.compaq.com
SCO OpenServer 5.0.2, 5.0.4, 5.0.5	EFS 5.34	SmartStart CD and www.compaq.com
SCO UnixWare 7.01, 7.1	UXEFS 7.34	SmartStart CD and www.compaq.com
Sun Solaris™ 7 Intel Platform Edition, 11/99 Update	Solaris Driver Update 1.10	
Sun Solaris™ 8 Intel Platform Edition	Solaris Driver Update 1.10	

Note: Not all storage controllers are supported under Solaris 7 and 8. Please refer to the Supported Devices list on the Solaris Driver Update download page. Please see customer advisories for addition information on Solaris 8 installation.