

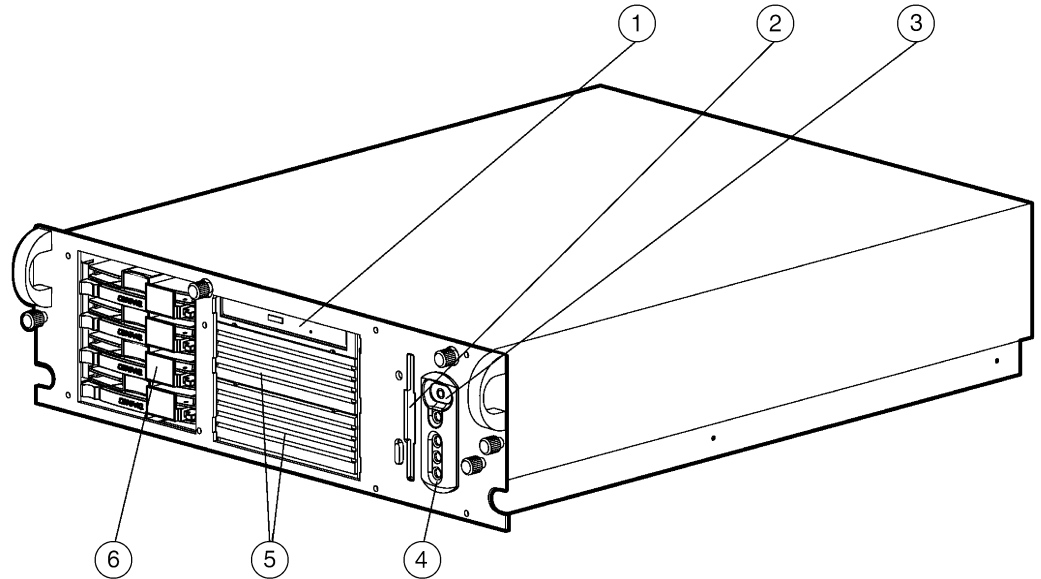
Overview

WHAT'S NEW

- Intel Pentium® III 866 MHz, 800 MHz or 667 MHz Processor (dual capability)

AT A GLANCE

- Space saving rack optimized server for space conscious data centers and remote sites requiring high levels of reliability and performance in a rack-ready form factor (3U, 5.25")
- RCC LE 3.0 Chipset with 133 MHz Front Side Bus
- Intel Pentium III 866 MHz, 800 MHz, 733 MHz and 667 MHz Processors
- 256-KB level 2 ECC cache
- 128-MB PC133 MHz Registered ECC SDRAM memory, expandable to 4 GB
- Four expansion PCI slots: Three 64-bit and one 32-bit
- Compaq NC3163 Fast Ethernet NIC Embedded 10/100 WOL
- Integrated Smart Array Controller
- Wide Ultra2/Ultra3 SCSI Drive Cage standard
- Support for up to four 1" Wide Ultra2/Ultra3 hot plug hard drives & for two additional Wide Ultra2/Ultra3 SCSI hot plug drives in removable media bay using optional 2 x 1" drive cage
- Internal hot plug capacity up to 72.8 GB standard or up to 109.2 GB using optional 2 x 1" drive cage
- 275 Watt Power Supply
- Simplified system board removal for fast and easy servicing
- Sliding rails and cable management arm for easy serviceability and toolless access to major components
- Integrated Remote Console (IRC), Automatic Server Recovery-2 (ASR-2), Compaq Insight Manager and SmartStart
- Protected by Compaq Services, including a three-year, Next Business Day on-site limited Global warranty and extended Pre-Failure Warranty which covers processors, memory, and hard drives — Certain restrictions and exclusions apply. Consult the Compaq Customer Support Center at 1-800-345-1518 for details.



1. Low-profile High Speed IDE CD-ROM
2. 1.44-MB Diskette Drive
3. Protected Power Switch
4. Front Panel Status LEDs
5. One full height or two half height removable media bays
6. Four 1-inch Wide Ultra2/Ultra3 SCSI hot plug drive bays

QUICK SPECS

Compaq ProLiant DL380

Standard Features

MODELS

Compaq ProLiant™ DL380

Available in multiple configurations.

Processor – One of the following:

Intel Pentium III processor 866 MHz
Intel Pentium III processor 800 MHz
Intel Pentium III processor 733 MHz
Intel Pentium III processor 667 MHz

Upgradability

Upgradable to dual processing

Memory

Standard 128 MB (PC133 MHz Registered ECC SDRAM memory)
Maximum 4 GB

Network Controller

Compaq NC3163 Fast Ethernet NIC (embedded) PCI 10/100 WOL (Wake on LAN)

Expansion Slots

I/O (Total) 4
64-bit PCI 3
32-bit PCI 1

Storage Controller

Integrated Smart Array Controller

Storage

Diskette Drive 1.44 MB
CD-ROM High Speed IDE CD-ROM Drive (Low Profile)
Hard Drives None
Maximum Internal Storage 109.2 GB (internal drive cage with optional 2 x 1" Ultra2 drive cage)
(Must be used in conjunction with the standard 4 x 1" Ultra2 Drive cage.)

Interfaces

Parallel 1
Serial 2
Pointing Device (Mouse) 1
Graphics 1
Hot Plug Keyboard 1
External SCSI (for tape only) 1
Network RJ-45 1

Graphics

Integrated ATI Rage IIC Video Controller with 4MB Video Memory

Form Factor

Rack (3U), (5.25-inch)

Compaq Software

Compaq *Insight Manager™* The comprehensive system management tool that monitors the operation of Compaq servers, workstations and clients
Compaq *SmartStart™* The server configuration and software integration tool from Compaq
Array Configuration Utility (ACU) with Smart Array Controllers Same easy to use yet powerful graphical user interface (GUI) configuration utility and easy to navigate wizards for all Smart Array Controllers including the Integrated Smart Array Controller

Standard Features

Intelligent Manageability

- Automatic Server Recovery-2 (ASR-2)
- Compaq Remote Insight Board (PCI) (optional)
- Compaq Remote Insight Lights-Out Edition (optional)
- Compaq Insight Manager
- Integrated Remote Console (IRC)
 - Hardware Remote Console
 - Full Remote Server Reboot Capability
 - Reset and Failure Sequence Replay
 - Host Hardware Independent
 - Operating System Independent
 - Communication is out-of-band
- Integrated Management Log
- Server Health Logging
- Revision History Table
- Automatic Revision Tracking
- Drive Parameter Tracking (with Smart Array Controllers)
- Dynamic Sector Repairing (with Smart Array Controllers)
- Recovery Server Option (optional)
- Off-Line Backup Processor capability
- Pre-Failure Warranty (covers processors, hard drives and memory)

Security

- Power-on password
- Keyboard password
- Diskette drive control
- Diskette boot control
- QuickLock, Network Server Mode
- Parallel and serial interface control
- Administrator's password
- Disk configuration lock

Power Supply

- 275 Watt, CE Mark Compliant
- Optional Redundant Power Supply Capability

Required Cabling

For required cabling information, refer to the Compaq website at <http://www.compaq.com/products/servers/proliantDL380>.
Note: This web site available in English only.

OS Support

- Microsoft Windows NT
- Microsoft Windows 2000
- Novell NetWare
- SCO UnixWare and OpenServer
- IBM OS/2 Warp Family
- Sun Solaris Intel Platform Edition
- Banyan VINES
- Linux RedHat (future support)

Standard Features

Service and Support

Compaq Services provides a three-year, limited warranty, including Pre-Failure Warranty (coverage of hard drives, memory and processors) fully supported by a worldwide network of resellers and service providers and lifetime toll-free 7 x 24 hardware technical phone support. In addition, available service offerings include a full range of CarePac packaged hardware and software services:

- Installation and start up
- Extended coverage hours and enhanced response times
- System management and performance services
- Availability and recovery services

Note: Certain restrictions and exclusions apply. Consult the Compaq Customer Support Center at 1-800-345-1518 for details.

QUICKSPECS

Compaq *ProLiant* DL380

Standard Features

Models

DL380R01 P866-256K
161062-001

Processor(s)	Intel Pentium III processor 866 MHz	Network Controller	NC3163 Fast Ethernet NIC (embedded) PCI 10/100 WOL
Cache Memory	256-KB level 2 ECC cache	Storage Controller	Integrated Smart Array Controller
Memory	PC133 MHz Registered ECC SDRAM	Internal Storage	109.2 GB max
Standard	128 MB	Optical Drive	High Speed IDE CD-ROM Drive
Maximum	4 GB	Form Factor	Rack (3U), (5.25-inch)

DL380R01 P800-256K
160553-001

Processor(s)	Intel Pentium III processor 800 MHz	Network Controller	NC3163 Fast Ethernet NIC (embedded) PCI 10/100 WOL
Cache Memory	256-KB level 2 ECC cache	Storage Controller	Integrated Smart Array Controller
Memory	PC133 MHz Registered ECC SDRAM	Internal Storage	109.2 GB max
Standard	128 MB	Optical Drive	High Speed IDE CD-ROM Drive
Maximum	4 GB	Form Factor	Rack (3U), (5.25-inch)

DL380R01 P733-256K
157829-001

Processor(s)	Intel Pentium III processor 733 MHz	Network Controller	NC3163 Fast Ethernet NIC (embedded) PCI 10/100 WOL
Cache Memory	256-KB level 2 ECC cache	Storage Controller	Integrated Smart Array Controller
Memory	PC133 MHz Registered ECC SDRAM	Internal Storage	109.2 GB max
Standard	128 MB	Optical Drive	High Speed IDE CD-ROM Drive
Maximum	4 GB	Form Factor	Rack (3U), (5.25-inch)

DL380R01 P667-256K
195332-001

Processor(s)	Intel Pentium III processor 667 MHz	Network Controller	NC3163 Fast Ethernet NIC (embedded) PCI 10/100 WOL
Cache Memory	256-KB level 2 ECC cache	Storage Controller	Integrated Smart Array Controller
Memory	PC133 MHz Registered ECC SDRAM	Internal Storage	109.2 GB max
Standard	128 MB	Optical Drive	High Speed IDE CD-ROM Drive
Maximum	4 GB	Form Factor	Rack (3U), (5.25-inch)

Options

Processor

P866 Pentium III 256K Processor Option Kit	161085-B21
P800 Pentium III 256K Processor Option Kit	161084-B21
P733 Pentium III 256K Processor Option Kit	161083-B21
P667 Pentium III 256K Processor Option Kit	159756-B21

Memory (DIMMs)

1024-MB PC133MHz Registered ECC SDRAM DIMM Memory Option Kit	128280-B21
512-MB PC133MHz Registered ECC SDRAM DIMM Memory Option Kit	128279-B21
256-MB PC133MHz Registered ECC SDRAM DIMM Memory Option Kit	128278-B21
128-MB PC133MHz Registered ECC SDRAM DIMM Memory Option Kit	128277-B21
64-MB PC133MHz Registered ECC SDRAM DIMM Memory Option Kit	128276-B21

Optical Drives

DVD-ROM Drive Option Kit (The DVD-ROM Option Kit cannot be used in conjunction with the standard low-profile IDE CD-ROM drive. DVD-ROM Drive Option Kit only supported by Windows NT or Windows 2000 OS.)	388481-B21
DVD-ROM Drive Option Kit (Japan) (The DVD-ROM Option Kit cannot be used in conjunction with the standard low-profile IDE CD-ROM drive. DVD-ROM Drive Option Kit only supported by Windows NT or Windows 2000 OS.)	388481-291

Internal Storage

Wide Ultra2/Ultra3 SCSI Drive Cage Option Kit (2 x 1") (Opal) (The ProLiant DL380 Models can support up to six 1" Ultra2 or Ultra3 hot plug drives on a single SCSI channel with the purchase of the optional 2 x 1" Ultra2 Drive Cage (157007-B21).)	157007-B21
--	------------

Hard Drives

Wide Ultra2 SCSI – Universal Hot Plug

18.2-GB Wide Ultra2 SCSI 10,000 rpm Drive (1")	128418-B22
18.2-GB Wide Ultra2 SCSI Drive (1")	388144-B22
9.1-GB Wide Ultra2 SCSI 10,000 rpm Drive (1")	328939-B22
9.1-GB Wide Ultra2 SCSI Drive (1")	123065-B22

Wide Ultra2 SCSI – Non-Hot Plug

18.2-GB Wide Ultra2 SCSI Drive (1")	388143-B21
9.1-GB Wide Ultra2 SCSI Drive (1")	349526-B21

Note: Non-hot plug Wide Ultra2 or Non-hot plug Wide Ultra3 drives are supported only in the removable media bays.

Note: Non-hot plug Wide Ultra2 or Non-hot plug Wide Ultra3 drives require an additional controller.

Wide Ultra3 SCSI – Universal Hot Plug

18.2GB Wide Ultra3 SCSI 10,000 rpm Drive (1")	142673-B22
9.1GB Wide Ultra3 SCSI 10,000 rpm Drive (1")	142671-B22

Note: Wide Ultra3 Drives require an optional Wide Ultra3 Controller to support Ultra3 transfer rates.

Wide Ultra3 SCSI – Non-Hot Plug

36.4GB Wide Ultra3 SCSI 10,000 rpm Drive (1.6")	142676-B21
18.2GB Wide Ultra3 SCSI 10,000 rpm Drive (1")	142674-B21
9.1GB Wide Ultra3 SCSI 10,000 rpm Drive (1")	142672-B21

Note: Non-hot plug Wide Ultra2 or Non-hot plug Wide Ultra3 drives are supported only in the removable media bays.

Note: Non-hot plug Wide Ultra2 or Non-hot plug Wide Ultra3 drives require an additional controller.

Options

Storage Controllers

Smart Array 431 Controller	127695-B21
Smart Array 431 Controller (Japan)	127695-291
Smart Array 3200 Controller	295643-B21
Smart Array 3200 Controller (Japan)	295643-291
Smart Array 221 Controller	388099-B21
Smart Array 221 Controller (Japan)	388099-291
Smart Array 4200 Controller	295636-B21
Smart Array 4200 Controller (Japan)	295636-291
64-Bit/66 MHz Dual Channel Wide Ultra3 SCSI Adapter	129803-B21
64-Bit/66MHz Dual Channel Wide Ultra3 SCSI Adapter (Japan)	129803-291
64-Bit/66MHz Single Channel Wide Ultra3 SCSI Adapter	154457-B21
64-Bit/66MHz Single Channel Wide Ultra3 SCSI Adapter (Japan)	154457-291

Communications

Compaq NC3123 Fast Ethernet NIC PCI 10/100 WOL (The ProLiant DL380 Models ship standard with one Compaq NC3163 Fast Ethernet NIC Embedded 10/100 WOL. For redundancy, a second controller is required (174830-B21).)	174830-B21
Compaq NC3122 Fast Ethernet NIC PCI Dual 10/100	317450-B21
Compaq NC3134 Fast Ethernet NIC 64 PCI Dual Port 10/100	138603-B21
Compaq NC3135 Fast Ethernet Module Dual 10/100 Upgrade Module for NC3134	138604-B21
Compaq NC6132 Gigabit Module 1000 SX Upgrade Module for NC3131	338456-B23
Compaq NC6133 Gigabit Module 1000LX Upgrade Module for NC3131	338456-B24
Compaq NC3133 Fast Ethernet Module 100FX Upgrade Module for NC3131 and NC3134	338456-B25
Compaq NC6134 Gigabit NIC 64 PCI 1000SX	174818-B21
Compaq NC4621 Token Ring NIC PCI 4/16 WOL	379956-B21
IBM 16/4 Token Ring PCI Special	133749-B21
ServerNet PCI Adapter	309833-B22
4M Cable	309834-B23
30M Cable	309834-B22

Internal Tape Drives

Note: In order to install certain tape drives internally, you may need to remove the rails that come standard on the drives and then re-insert the screws in the mounting holes.

Internal 20/40-GB DAT DDS-4 Tape Drive	157769-B21
Internal 12/24-GB DAT Drive (Opal)	295513-B22
Internal 12/24-GB DAT Drive (Opal) (Japan)	295513-292
Internal 4/8-GB DAT Drive (Opal)	295353-B22
Internal 4/8-GB DAT Drive (Opal) (Japan)	295353-292
Internal 4/8-GB SLR Drive (Opal)	295480-B22
Internal 4/8-GB SLR Drive (Opal) (Japan)	295480-292
Internal 35/70-GB DLT Drive	242520-B21
Internal 35/70-GB DLT Drive (Japan)	242520-291
Internal 20/40-GB DLT Drive (Opal)	340743-B22
Internal 20/40-GB DLT Drive (Opal) (Japan)	340743-292
20/40-GB DAT DDS-4 8 Cassette Autoloader, Internal	166504-B21
Internal AIT 50-GB Tape Drive	157766-B21
Internal AIT 35-GB Tape Drive	388504-B21
4.0-GB DDS-2 DAT Cassette	137611-001

Options

Internal Tape Drives *(continued)*

DDS-4 Media (10 pack)	152842-001
20/40-GB DAT DDS-4 8 Cassette Magazine with Media	171532-B21
12-GB DDS-3 DAT Cassette (10 Pack)	295515-B21
DAT Cleaning Cassette	242781-001
AIT 35-GB Data Cassette (5 pack)	402371-B21
AIT 50-GB Data Cassette (5 pack)	152841-001
AIT Cleaning Cassette	402374-B21
DLT IV Drive Cartridge (single)	295194-B21
DLT IV Drive Cartridge (7 pack)	295192-B21
DLT Cleaning Cartridge	199704-001

Redundant Options

Compaq NC3123 Fast Ethernet NIC PCI 10/100 WOL (The ProLiant DL380 Models ship standard with one Compaq NC3163 Fast Ethernet NIC Embedded 10/100 WOL. For redundancy, a second controller is required (either 174830-B21).)	174830-B21
Compaq Hot Plug Redundant Power Supply Module	143397-001
Compaq Hot Plug Redundant Power Supply Module (Australia)	143397-011
Compaq Hot Plug Redundant Power Supply Module (Int'l)	143397-021
Compaq Hot Plug Redundant Power Supply Module (Japan)	143397-291

Management Options

Compaq Remote Insight Lights-Out Edition (NA, LA)	157866-001
Compaq Remote Insight Lights-Out Edition (EURO)	157866-021
Compaq Remote Insight Lights-Out Edition (APD, Japan)	157866-371
Compaq Remote Insight (PCI) LAN + NA Modem	294013-002
Compaq Remote Insight (PCI) LAN + NA Modem (PAN EURO)	294013-B32
Compaq Remote Insight Board (PCI) LAN/Serial without modem	294013-B24
Compaq Remote Insight Board (PCI) LAN/Serial without modem (Japan)	294013-294
Compaq Remote Insight Board (PCI) LAN only	294013-B25
Compaq Remote Insight Board (PCI) LAN only (Japan)	294013-295

Monitors

TFT5000R Rackmount Flat Panel	120207-001
TFT5000R Rackmount Flat Panel (Int'l)	120207-B31
TFT5000R Rackmount Flat Panel (Japan)	120207-291
TFT5010 15" Flat Panel Monitor (Opal)	104741-001
TFT5010 15" Flat Panel Monitor (Carbon)	154486-001
P700 Color	380207-001
V700 Color (opal)	325800-001
V500 Color	325900-001
S510 Color	168636-001
S710 Color	152991-001

External Tape Drives

External 20/40-GB DAT DDS-4 Tape Drive	157770-001
External 20/40-GB DAT DDS-4 Tape Drive (Int'l)	157770-B31
External 20/40-GB DAT DDS-4 Tape Drive (Japan)	157770-291
External 35/70-GB DLT Drive	242521-B21
External 35/70-GB DLT Drive (Japan)	242521-291
External 20/40-GB DLT Drive (Opal)	340744-B22

Options

External Tape Drives *(continued)*

External 20/40-GB DLT Drive (Opal) (Japan)	340744-292
External AIT 50-GB Tape Drive	157767-001
External AIT 50-GB Tape Drive (Int'l)	157767-B31
External AIT 50-GB Tape Drive (Japan)	157767-291
External AIT 35-GB Tape Drive	388507-001
External AIT 35-GB Tape Drive (Int'l)	388507-B31
External AIT 35-GB Tape Drive (Japan)	388507-291
20/40-GB DAT 8 Cassette Autoloader External	166505-001
20/40-GB DAT 8 Cassette Autoloader External (Int'l)	166505-B31
20/40-GB DAT 8 Cassette Autoloader External (Japan)	166505-291
4.0-GB DDS-2 DAT Cassette	137611-001
DDS-4 Media (10 pack)	152842-001
20/40-GB DAT 8 Cassette Magazine with Media	171532-B21
12-GB DDS-3 DAT Cassette (10 Pack)	295515-B21
DAT Cleaning Cassette	242781-001
AIT 35-GB Data Cassette (5 pack)	402371-B21
AIT 50-GB Data Cassette (5 pack)	152841-001
AIT Cleaning Cassette	402374-B21
DLT IV Drive Cartridge (single)	295194-B21
DLT IV Drive Cartridge (7 pack)	295192-B21
DLT Cleaning Cartridge	199704-001

External Storage - Rack

Compaq <i>StorageWorks</i> TM Enclosure Model 4214R (rack-mountable)	103381-001
Compaq StorageWorks Enclosure Model 4214R (rack-mountable) (Int'l)	103381-B31
Compaq StorageWorks Enclosure Model 4214R (rack-mountable) (Japan)	103381-291
Compaq StorageWorks Enclosure Model 4254R (rack-mountable)	138151-001
Compaq StorageWorks Enclosure Model 4254R (rack-mountable) (Int'l)	138151-B31
Compaq StorageWorks Enclosure Model 4254R (rack-mountable) (Japan)	138151-291
Note: The Compaq StorageWorks Enclosure 4200 Family support the Wide Ultra2/Ultra3 1" Hot Plug Hard Drives.	
Rack-Mountable SCSI Storage Expander II	332607-001
Rack-Mountable SCSI Storage Expander II (Int'l)	332607-B21
Rack-Mountable SCSI Storage Expander II (Japan)	332607-291
Rack-Mountable ProLiant Storage System Model UE	348700-001
Rack-Mountable ProLiant Storage System Model UE (Int'l)	348700-B31
Rack-Mountable ProLiant Storage System Model UE (Japan)	348700-291
Rack-Mountable ProLiant Storage System Model U2	304100-B22
Rack-Mountable ProLiant Storage System Model U2 (Int'l)	304104-B32
Rack-Mountable ProLiant Storage System Model U2 (Japan)	304104-292
Note: The Compaq ProLiant Storage System Models UE and U2 support the Wide-Ultra SCSI-3 Drives.	
ProLiant Storage System Model F1 or U1 to Model UE Upgrade Kit	348718-B21
ProLiant Storage System Model F1 or U1 to Model UE Upgrade Kit (Japan)	348718-291
ProLiant Storage System Model F2 or U2 to Model UE Upgrade Kit	348706-B21
ProLiant Storage System Model F2 or U2 to Model UE Upgrade Kit (Japan)	348706-291
ProLiant Storage System /U Redundant Power Supply	224206-001
ProLiant Storage System /U Redundant Power Supply (Int'l)	224214-001
Conversion Kit, SB to DB/U	304116-B21
Conversion Kit, DB to SB/U	304115-B21

Options

External Storage – Rack *(continued)*

StorageWorks Enclosure 4200 Redundant Power Supply Option	119826-B21
StorageWorks Enclosure 4200 Ultra2 Dual Bus I/O Module Option	119829-B21
StorageWorks Enclosure 4200 Ultra3 Single Bus I/O Module Option	190212-B21
StorageWorks Enclosure 4200 Ultra3 Dual Bus I/O Module Option	190213-B21
StorageWorks Enclosure Tower to Rack Conversion Kit	150213-B21

Server Recovery

Rack-Mountable ProLiant Storage System RSO/U	387256-001
Rack-Mountable ProLiant Storage System RSO/U (Int'l)	387256-B31
Rack-Mountable ProLiant Storage System RSO/U (Japan)	387256-291
Note: The Compaq ProLiant Storage System RSO/U Models support the Wide-Ultra SCSI-3 Drives.	
Recovery Server Option for ProLiant Storage System Model U1 & F1	304117-B21

StorageWorks DLT Department Library

TL891 DLT library unit, 1 drive Rack	120876-B21
TL891 DLT library unit, 2 drive Rack	120876-B22
TL881 DLT library unit, 1 drive Rack	128669-B21
TL881 DLT library unit, 2 drive Rack	128669-B22
Add-On 20/40-GB Drive for TL881	128671-B21
Add-On 20/40-GB Drive for TL881 (Japan)	128671-291
Add-On 35/70-GB Drive for TL891	120878-B21
Add-On 35/70-GB Drive for TL891 (Japan)	120878-291
MiniLibrary Data Unit	128670-B21
MiniLibrary Expansion Unit	120877-B21
DLT IV Data Cartridges (single pack)	295194-B21
DLT IV Data Cartridges (7 pack)	295192-B21
DLT Cleaning Cartridge	199704-001
MiniLibrary pass-through Mechanism Kit	120880-B21
10 Slot Magazine	120881-B21
MiniLibrary Table Top to Rack Mount Conversion Kit, Metric/RETMA racks	120882-B21
MiniLibrary Table Top to Rack Mount Conversion Kit, Compaq racks	120883-B21

Note: Please see the TL881 or TL891 Automated DLT Tape Library Solution QuickSpecs for additional information including Upgrade Kits, Accessories, ProLoant Connectivity Kits, Host Bus Adapters, SCSI Cable Kits, and Localization Kits and additional options needed for a complete solution at <http://www1.compaq.com/products/detail/0,1522,wp-16365,2,00.html>.

Options

Automated AIT Tape Library Solution

SSL2020 AIT Mini-Library 1 drive, 20 slot Table Top	175195-B21
SSL2020 AIT Mini-Library 2 drive, 20 slot Table Top	175195-B22
SSL2020 AIT Mini-Library 1 drive, 20 slot Rackmount	175196-B21
SSL2020 AIT Mini-Library 2 drive, 20 slot Rackmount	175196-B22
SSL2020 AIT Library Pass Thru with Transport	175312-B21
SSL2020 AIT Library Pass Thru Extender	175312-B22
AIT 50-GB Drive Add-On LVD Drive for SSL2020 AIT Library	175197-B21
19 Slot Magazine for SSL2020 AIT Library	175198-B21
AIT 50-GB Data Cassette (5 pack)	152841-001
AIT Cleaning Cassette	402374-B21
Tabletop to Rackmount Upgrade Kit for SSL2020 AIT Library, Compaq Rack	175199-B21
Tabletop to Rackmount Upgrade Kit for SSL2020 AIT Library, RETMA Rack	175199-B22

Note: Please see the [AIT Automated DLT Tape Library Solution QuickSpecs](http://www1.compaq.com/products/detail/0,1522,wp-16365_2,00.html) for additional information including Upgrade Kits, Accessories, and SCSI Cable Kits and additional options needed for a complete solution at http://www1.compaq.com/products/detail/0,1522,wp-16365_2,00.html.

Tape Array Solution

TA1000 AIT Tape Array, Rackmount (U.S.)	175005-001
TA1000 AIT Tape Array, Rackmount (Int'l)	175005-B31
TA1000 AIT Tape Array, Rackmount (Japan)	175005-291
AIT 50-GB Data Cassette (5 pack)	152841-001
AIT Cleaning Cassette	402374-B21
DLT Tape Array Model 0	199860-001
DLT Tape Array II Model 35/70-4 no software	295165-001
DLT Tape Array II Model 35/70-4 no software (Int'l)	295165-B31
DLT IV Data Cartridges (single pack)	295194-B21
DLT IV Data Cartridges (7 pack)	295192-B21
DLT Cleaning Cartridge	199704-001
DLT Library Tabletop Conversion Kit	350384-B21
Tape Array Cable Kit	242427-001

Note: Available for the DLT Tape Array and DLT Tape Array II only.

Note: Please see the [Compaq TA1000 AIT Tape Array](http://www1.compaq.com/products/detail/0,1522,wp-16365_2,00.html) or the [Compaq DLT Tape Array II QuickSpecs](http://www1.compaq.com/products/detail/0,1522,wp-16365_2,00.html) for additional information including Tape Drives, Cartridges, Controllers, and SCSI Cables and additional options needed for a complete solution at http://www1.compaq.com/products/detail/0,1522,wp-16365_2,00.html.

StorageWorks RAID Array 4000

StorageWorks Raid Array 4000 (rack)	223100-001
StorageWorks Raid Array 4100 (rack)	146013-001
StorageWorks Raid Array 4100 (rack) (Int'l)	146013-B31
StorageWorks Raid Array 4100 (rack) (Japan)	146013-291
Fibre Channel Storage Hub 12	295573-001
Fibre Channel Storage Hub 7	234453-001
Compaq Storage Hub 7 Universal Rack Mount Kit	136127-B21
Fibre Channel Storage Hub – 12 Port with 41U/42U Bracket	295573-B22
Compaq Storage Hub 12 Management Option	159262-B21
64-Bit/66MHz Fibre Channel Host Adapter	120186-B21
64-Bit/66MHz Fibre Channel Host Adapter (Japan)	120186-291
Fibre Channel Host Adapter Kit/P	223180-B21
Fibre Channel Host Adapter Kit/P (Japan)	223180-291

Options

StorageWorks RAID Array 4000 *(continued)*

StorageWorks Raid Array 4000 Redundant Array Controller	223187-B21
GBIC-SW Connector Kit (two each)	234459-B21
GBIC-LW Connector Kit (two each)	304412-B21
Fibre Channel Connection Kit, 3 SW GBICS, 2 Cables	380579-B21
Fibre Channel Connection Kit, 2 SW GBICS, 2 Cables	380596-B21
Fibre Channel Short Wave GBIC	380561-B21
Fibre Channel Long Wave GBIC	127508-B21
2m Multi-Mode Fibre Channel Cable	234457-B21
5m Multi-Mode Fibre Channel Cable	234457-B22
15m Multi-Mode Fibre Channel Cable	234457-B23
30m Multi-Mode Fibre Channel Cable	234457-B24
50m Multi-Mode Fibre Channel Cable	234457-B25
Raid Array 4000 Redundant Power Supply	224206-001
Raid Array 4000 Tower to Rack Conversion Kit	297162-B21
Raid Array 4100 Rack to Tower Conversion Kit	154253-B21
Upgrade Kit for ProLiant Storage System F and F1	296324-B21
Fibre Channel Troubleshooting Kit	234468-B21

StorageWorks RAID Array 8000

Departmental Pedestal Models

RA8000 FC Single Controller (Opal)	400553-B22
RA8000 FC Dual Controller (Opal)	400552-B22
Expansion Cabinet 24 slot (Opal)	380570-B22

Rack Mountable Models

RA8000 FC Single Controller	400554-B22
RA8000 FC Dual Controller	400700-B21
Expansion Cabinet 24 slot	380568-B21

Note: Please see the Compaq StorageWorks Fibre Channel RAID Array 8000, ESA12000 QuickSpecs for FC Hubs, FC switches, platform software, host adapters, disks and options for complete solutions.

StorageWorks Enterprise Storage Array 12000

ESA Building Blocks

High-Capacity/General Business - Dual Controllers 48 slots, 60 Hz (Opal)	400557-002
High-Capacity/General Business - Dual Controllers 48 slots, 50 Hz (Opal)	400558-B22
High Bandwidth Quad controllers 48 slots, 60 Hz (Opal)	400555-002
High Bandwidth Quad controllers 48 slots, 50 Hz (Opal)	400556-B22
Single Expansion Dual controllers 24 slots, 25U extra cabinet space, 60 Hz (Opal)	400559-002
Single Expansion Dual controllers 24 slots, 25U extra cabinet space, 50 Hz (Opal)	400560-B22
Expansion enclosure 48 slots, 60 Hz (Opal)	380640-002
Expansion enclosure 48 slots, 50 Hz (Opal)	380650-B22

Note: Please see the Compaq StorageWorks Fibre Channel RAID Array 8000, ESA12000 QuickSpecs for FC Hubs, FC switches, platform software, host adapters, disks and options for complete solutions.

StorageWorks Modular Array 6000

MA6000D14	187738-B21
MA6000S14	187739-B21

Note: Please see the Compaq StorageWorks MA6000 QuickSpecs for FC Hubs, FC switches, platform software, host adapters, disks and options for complete solutions.

Options

StorageWorks Modular Array 8000/Enterprise Modular Array 12000

EMA12000 D14 60Hz	175990-B21
EMA12000 D14 50Hz	175990-B22
EMA12000 S14 60Hz	175991-B21
EMA12000 S14 50Hz	175991-B22
MA8000 60Hz	175992-B21
MA8000 50Hz	175992-B22
EMA12000 Blue 60Hz	175993-B21
EMA12000 Blue 50Hz	175993-B22

Note: Options include controller, solution kits, ACS. MA8000/EMA12000 includes controller shelf, drive shelves and cabinet. Packaging upgrade to RA8000/ESA12000.

Note: Please see the Compaq StorageWorks MA8000/EMA12000 QuickSpecs for FC Hubs, FC switches, platform software, host adapters, disks and options for complete solutions.

StorageWorks Options

Fibre Channel Tape Controller – II	152975-001
Fibre Channel Tape Controller – II (Int'l)	152975-B31
Fibre Channel Tape Controller – II (Japan)	152975-291
Fibre Channel Storage Switch 16	380578-B21
Fibre Channel Storage Switch 8	380591-B21
Fibre Channel SAN Switch/8 with Fabric Operating Software	158222-B21
Fibre Channel SAN Switch/16 with Fabric Operating Software	158223-B21
F200 Clustering Kit	380357-B21

Uninterruptible Power Systems

Rack-Mountable UPS R1500 (100-127 VAC)	242704-001
Rack-Mountable UPS R1500h (200-230 VAC) (Int'l)	242704-002
Rack-Mountable UPS R1500j (100-127 VAC) (Japan)	242704-291
Rack-Mountable UPS R3000 100-127 VAC)	242705-001
Rack-Mountable UPS R3000h (208-240 VAC) (Int'l)	242705-002
Rack-Mountable UPS R3000h-NA (208-240 VAC)	242705-003
Rack-Mountable UPS R3000h-NA (208-240 VAC) NDC (non-detached cord)	242705-003
Rack-Mountable UPS R3000j 100-127 VAC) (Japan)	242705-291
Rack-Mountable UPS R6000 (208 VAC default) (NA)	347207-001
Rack-Mountable UPS R6000 (230 VAC default) (Int'l)	347207-001
Rack-Mountable UPS R6000 (200 VAC default) (Japan)	347207-001
R6000 Extended Runtime Module	347224-B21
SNMP-EN Adapter	347225-B21
High to Low Voltage Transformer (250VA)	388643-B21
Multi-Server UPS Card	123508-B21
Scalable UPS Card	123509-B21

Note: Please see the Compaq Rack Builder for configuration assistance at www.compaq.com/products/storageworks/rack_accessories/rackbuilderpro2.html or download it at www.compaq.com/support/files/server/softpaqs/Rompag/Rack_Builpro.html. (These web sites available in English only.)

Options

Compaq Rack 9000 Series (Opal)

Compaq Rack 9142 (42U) – Pallet	120663-B21
Compaq Rack 9142 (42U) – Shock Pallet	120663-B22
Compaq Rack 9142 (42U) – Crated	120663-B23
Compaq Rack 9136 (36U) – Pallet	120664-B21
Compaq Rack 9136 (36U) – Shock Pallet	120664-B22
Compaq Rack 9136 (36U) – Crated	120664-B23
Compaq Rack 9122 (22U) – Pallet	120665-B21
Compaq Rack 9122 (22U) – Shock Pallet	120665-B22
Compaq Rack 9122 (22U) – Crated	120665-B23

Note: -B21 part numbers are for all Geo's
 -B22 part numbers are used to ship configured racks (by custom systems, VAR's and Channels)
 -B23 part numbers are used for air shipments

Compaq Rack 7000 Series (Beach Gray)

Compaq Rack 7142 (42U) (NA)	165753-001
Compaq Rack 7142 (42U) (Air Shipment)	165753-002
Compaq Rack 7142 (42U) (Int'l)	165753-003
Compaq Rack 7142 (42U) (Japan)	165753-293

Rack Options for Compaq Rack 9000 Series

Baying Kit	120669-B21
9142 Side Panel Kit	120670-B21
9136 Side Panel Kit	120671-B21
Ballast Option Kit	120672-B21
Stabilizer Option Kit	120673-B21
Rack Rail Adapter Kit (25" depth)	120675-B21
Fan (110 VAC) Roof Mount	120677-B21
Fan (220 VAC) Roof Mount	120678-B21
Bustle Kit	120679-B21
Grounding Rack Option Kit	120682-B21

Rack Options for Compaq Rack 7000 Series

Rack Sidewall Kit (42U only)	165652-001
Coupling Kit (42U only)	165664-001
Stabilizing Feet (42U only)	189907-001
High Air Flow Rack Door Insert for 7122	157847-B21
High Air Flow Rack Door Insert for 7142	327281-B21
High Air Flow Rack Door Insert for 7142 (6 pack)	327281-B22
Compaq Rack Extension Kit for 7142	154392-B21

Rack Options for Compaq Rack 7000 and 9000 Series

Sliding Shelf Kit	332564-B21
Monitor Utility Shelf	303606-B21
Rack Blanking Panel Kit (Beach Gray) (U.S.)	169940-001
Rack Blanking Panel Kit (Opal) (U.S.)	169940-B21
Compaq Networking Cable Management Kit	292407-B21
Compaq Networking Recessed Rail Management Kit	292406-B21
High-Capacity Cable Management Arm Kit	124711-B21
Compaq Power Distribution Unit – Low Voltage PDU (NA)	295363-001
Compaq Power Distribution Unit – Low Voltage PDU (Japan)	295363-291

Options

Rack Options for Compaq Rack 7000 and 9000 Series (continued)

Compaq Power Distribution Unit – High Voltage PDU (NA)	295363-002
Compaq Power Distribution Unit – High Voltage PDUh-NDC (non-detached cord) (Int'l)	295363-B32
Compaq Power Distribution Unit – 16A (NA, Int'l)	295363-B21
Compaq Power Distribution Unit, 30A (NA only)	295363-003
Server Console Switch 1 x 2 port (100-230 VAC)	120206-001
Server Console Switch 1 x 2 port (100-230 VAC) (Int'l)	120206-B31
Server Console Switch 1 x 2 port (100-230 VAC) (Japan)	120206-291
Server Console Switch 1 x 4 port (100-230 VAC)	400336-001
Server Console Switch 1 x 4 port (100-230 VAC) (Int'l)	400336-B31
Server Console Switch 1 x 4 port (100-230 VAC) (Japan)	400336-291
Server Console Switch 1 x 8 port (100-230 VAC)	400337-001
Server Console Switch 1 x 8 port (100-230 VAC) (Int'l)	400337-B31
Server Console Switch 1 x 8 port (100-230 VAC) (Japan)	400337-291
Server Console Switch 2 x 8 port (100-230 VAC)	400338-001
Server Console Switch 2 x 8 port (100-230 VAC) (Int'l)	400338-B31
Server Console Switch 2 x 8 port (100-230 VAC) (Japan)	400338-291
Server Console Switch 2 x 8 port (48VDC)	400542-B21
Server Console Switch 2 x 8 port (100-230 VAC)	400338-001
Server Console Switch 2 x 8 port (48VDC)	400542-B21
CPU to Server Console Cable, 12'	110936-B21
CPU to Server Console Cable, 20'	110936-B22
CPU to Server Console Cable, 40'	110936-B23
CPU to Server Console Cable, 3'	110936-B24
CPU to Server Console Cable, 6'	110936-B25
CPU to Server Console Cable (Plenum Rated) 20'	149363-B21
CPU to Server Console Cable (Plenum Rated) 40'	149364-B21
Switch Box Connector Kit (115V)	144007-001
Switch Box Connector Kit (230V)	144007-002
Switch Box Connector Kit (high voltage) (Int'l)	144007-B33
Rack Internal Trackball Keyboard (Opal) (UK)	185152-036
Rack Internal Trackball Keyboard (Opal) (Germany)	185152-046
Rack Internal Trackball Keyboard (Opal) (France)	185152-056
Rack Internal Trackball Keyboard (Opal) (Italy)	185152-066
Rack Internal Trackball Keyboard (Opal) (Spain)	185152-076
Rack Internal Trackball Keyboard (Opal) (Denmark)	185152-086
Rack Internal Trackball Keyboard (Opal) (Norway)	185152-096
Rack Internal Trackball Keyboard (Opal) (Sweden/Finland)	185152-106
Rack Internal Trackball Keyboard (Opal) (Switzerland)	185152-116
Rack Internal Trackball Keyboard (Opal) (Portugal)	185152-136
Rack Internal Trackball Keyboard (Opal) (Belgium)	185152-186
Rack Internal Trackball Keyboard (Opal) (Japan)	185152-296
Rack Internal Trackball Keyboard (Opal) (U.S.)	185152-406
Rack Internal Trackball Keyboard (Opal) (Int'l)	185152-B36
1U Rack Keyboard Drawer	338056-B21
Keyboard/Monitor/Mouse extension cables	169989-001

Options

Rack Options for Third Party Cabinet Racks

Depth Adjustable Fixed Rails	332558-B21
------------------------------	------------

Service Upgrades (CarePacs)

Hardware Services 4-Hour On-site Service

4-Hour On-site Service, 9-Hour x 5-Day Coverage, 3 Years (2-5-2 Part Number for US)	FM-LO4HR-36
4-Hour On-site Service, 9-Hour x 5-Day Coverage, 3 Years (2-5-2 Part Number for Canada)	FP-LO4HR-36
4-Hour On-site Service, 9-Hour x 5-Day Coverage, 3 Years (6-3 Part Number for US)	162658-002
4-Hour On-site Service, 9-Hour x 5-Day Coverage, 3 Years (6-3 Part Number for Canada)	162658-122
4-Hour On-site Service, 9-Hour x 5-Day Coverage, 3 Years (6-3 Part Number for EMEA)	324417-002
4-Hour On-site Service, 24-Hour x 7-Day Coverage, 3 Years (2-5-2 Part Number for US)	FM-LO724-36
4-Hour On-site Service, 24-Hour x 7-Day Coverage, 3 Years (2-5-2 Part Number for Canada)	FP-LO724-36
4-Hour On-site Service, 24-Hour x 7-Day Coverage, 3 Years (6-3 Part Number for US)	162657-002
4-Hour On-site Service, 24-Hour x 7-Day Coverage, 3 Years (6-3 Part Number for Canada)	162657-122
4-Hour On-site Service, 24-Hour x 7-Day Coverage, 3 Years (6-3 Part Number for EMEA)	376912-022

Installation & Start-up Services

Hardware Installation (2-5-2 Part Number for US)	FM-LOINS-IN
Hardware Installation (2-5-2 Part Number for Canada)	FP-LOINS-IN
Hardware Installation (6-3 Part Number for US)	401792-002
Hardware Installation (6-3 Part Number for Canada)	401792-122
Hardware Installation (6-3 Part Number for EMEA)	Quote
O/S & Hardware Installation (2-5-2 Part Number for US) (Hardware installation plus two days O/S start-up activity (install, config, network access & orientation).)	FP-CXHSI-02
O/S & Hardware Installation (6-3 Part Number for US) (Hardware installation plus two days O/S start-up activity (install, config, network access & orientation).)	160556-002
O/S & Hardware Installation (6-3 Part Number for EMEA) (Hardware installation plus two days O/S start-up activity (install, config, network access & orientation).)	Quote

Business Solutions Priority Service Plan – Priority Level

5 x 9 4-hour H/W, 5 x 9 2-hour O/S (NT & NetWare), Three Years (2-5-2 Part Number for US)	FP-CX102-36
5 x 9 4-hour H/W, 5 x 9 2-hour O/S (NT & NetWare), Three Years (2-5-2 Part Number for Canada)	FP-CZ102-36
5 x 9 4-hour H/W, 5 x 9 2-hour O/S (NT & NetWare), Three Years (6-3 Part Number for US)	155324-002
5 x 9 4-hour H/W, 5 x 9 2-hour O/S (NT & NetWare), Three Years (6-3 Part Number for Canada)	155324-122
5 x 9 4-hour H/W, 5 x 9 2-hour O/S (NT & NetWare), Three Years (6-3 Part Number for EMEA)	179835-022

Business Solutions Priority Service Plan – Priority 24 Level

7 x 24 4-hour H/W, 7 x 24 2-hour O/S (NT & NetWare), Three years (2-5-2 Part Number for US)	FP-CX202-36
7 x 24 4-hour H/W, 7 x 24 2-hour O/S (NT & NetWare), Three years (6-3 Part Number for US)	155328-002
7 x 24 4-hour H/W, 7 x 24 2-hour O/S (NT & NetWare), Three years (6-3 Part Number for EMEA)	179840-022

Business Solutions Priority Service Plan – Priority Plus Level

7 x 24 4-hour H/W, 7 x 24 1-hour O/S (NT & NetWare), SPS account review, Three Years (2-5-2 Part Number for US)	FP-CX302-36
7 x 24 4-hour H/W, 7 x 24 1-hour O/S (NT & NetWare), SPS account review, Three Years (2-5-2 Part Number for Canada)	FP-CZ302-36
7 x 24 4-hour H/W, 7 x 24 1-hour O/S (NT & NetWare), SPS account review, Three Years (6-3 Part Number for US)	155332-002
7 x 24 4-hour H/W, 7 x 24 1-hour O/S (NT & NetWare), SPS account review, Three Years (6-3 Part Number for Canada)	155332-122

Options

Service Upgrades (CarePacs) *(continued)*

Business Solutions Priority Service Plan – Priority Premier Level

7 x 24 2-hour H/W, 7 x 24 1-hour O/S (NT & NetWare), SPS Account Review, Proactive Management Review, named S/w rep, Three Years (2-5-2 Part Number for US)	FP-CX502-36
7 x 24 2-hour H/W, 7 x 24 1-hour O/S (NT & NetWare), SPS Account Review, Proactive Management Review, named S/w rep, Three Years (2-5-2 Part Number for Canada)	FP-CZ502-36
7 x 24 2-hour H/W, 7 x 24 1-hour O/S (NT & NetWare), SPS Account Review, Proactive Management Review, named S/w rep, Three Years (6-3 Part Number for US)	155336-002
7 x 24 2-hour H/W, 7 x 24 1-hour O/S (NT & NetWare), SPS Account Review, Proactive Management Review, named S/w rep, Three Years (6-3 Part Number for Canada)	155336-122

Business Solutions Priority Service Plan – Priority Executive Premier Level

7 x 24 2-hour H/W, 7 x 24 30-minute O/S (NT & NetWare), SPS Account Review, Proactive Management Review, named S/w rep, Three Years (2-5-2 Part Number for US)	FP-CX702-36
7 x 24 2-hour H/W, 7 x 24 30-minute O/S (NT & NetWare), SPS Account Review, Proactive Management Review, named S/w rep, Three Years (2-5-2 Part Number for Canada)	FP-CZ702-36
7 x 24 2-hour H/W, 7 x 24 30-minute O/S (NT & NetWare), SPS Account Review, Proactive Management Review, named S/w rep, Three Years (6-3 Part Number for US)	155340-002
7 x 24 2-hour H/W, 7 x 24 30-minute O/S (NT & NetWare), SPS Account Review, Proactive Management Review, named S/w rep, Three Years (6-3 Part Number for Canada)	155340-122

Note: For more information, customer/resellers can contact www.Compaq.com/services. This web site available in English only.

Memory

**Compaq ProLiant Model DL380
All Models**

STANDARD MEMORY

128-MB PC133 MHz Registered ECC SDRAM DIMM installed (1 x 128-MB SDRAM DIMM)

Standard	Slot			
	1	2	3	4
128 MB	128 MB	Empty	Empty	Empty

STANDARD MEMORY PLUS OPTIONAL MEMORY

Up to 3200-MB memory is available with the optional installation of PC133 MHz Registered ECC SDRAM DIMM memory kits.

Up To	Slot			
	1	2	3	4
3200 MB	128 MB	1024 MB	1024 MB	1024 MB

STANDARD MEMORY REPLACED WITH OPTIONAL MEMORY

Up to 4096 MB of memory is available with the removal of the standard 128-MB of memory and the optional installation of PC133 MHz Registered ECC SDRAM DIMM memory kits.

Up To	Slot			
	1	2	3	4
4096 MB	1024 MB	1024 MB	1024 MB	1024 MB

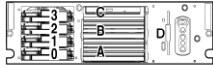
Note: Chart does not represent all possible configurations.

Following are memory options available from Compaq:

- 1024-MB PC133 MHz Registered ECC SDRAM DIMM Memory Option Kit 128280-B21
- 512-MB PC133 MHz Registered ECC SDRAM DIMM Memory Option Kit 128279-B21
- 256-MB PC133 MHz Registered ECC SDRAM DIMM Memory Option Kit 128278-B21
- 128-MB PC133 MHz Registered ECC SDRAM DIMM Memory Option Kit 128277-B21
- 64-MB PC133 MHz Registered ECC SDRAM DIMM Memory Option Kit 128276-B21

Storage

DRIVE SUPPORT



0,1,2,3 - 4 x 1 inch Wide Ultra2/Ultra3 SCSI Hot Pluggable Hard Drive Bays

- A,B - Two available half height bays for tape backup storage or optional 2 x 1" Ultra2/Ultra3 Drive Cage
- C - Low-profile High Speed IDE CD-ROM
- D - 3.5 inch Diskette Drive

	Quantity Supported	Position Supported	Controller
Removable Media			
1.44-MB Diskette Drive	Up to 1	D	Integrated
Low-profile IDE CD-ROM Drive	Up to 1	C	Integrated IDE
DVD-ROM Option Kit	Up to 1	A, B	Integrated IDE
Hard Drives			
<i>Wide Ultra2 Hot Pluggable Drives</i>			
1-inch	Up to 4	0-3	Integrated Smart Array Controller Smart Array 221 Controller
18.2-GB 10,000 rpm	Up to 6 (Requires installation of optional 2x1" Ultra2/Ultra3 Drive Cage, PN 157007-B21)	0-3 & A, B	Smart Array 431 Controller
18.2-GB			Smart Array 3200 Controller
9.1-GB 10,000 rpm			Smart Array 4200 Controller
9.1-GB			64-Bit/66MHz Dual Channel Wide Ultra3 SCSI Adapter 64-Bit/66MHz Single Channel Wide Ultra3 SCSI Adapter
<i>Wide Ultra2 SCSI – Non-Hot Plug</i>			
1-inch	Up to 2	A, B	Integrated Smart Array Controller Smart Array 221 Controller
18.2-GB			Smart Array 431 Controller
9.1-GB			Smart Array 3200 Controller Smart Array 4200 Controller 64-Bit/66MHz Dual Channel Wide Ultra3 SCSI Adapter 64-Bit/66MHz Single Channel Wide Ultra3 SCSI Adapter
<i>Wide Ultra3 Hot Pluggable Drives</i>			
1-inch	Up to 4	0-3	Integrated Smart Array Controller Smart Array 221 Controller
18.2-GB 10,000 rpm	Up to 6 (Requires installation of optional 2x1" Ultra2/Ultra3 Drive Cage, PN 157007-B21)	0-3 & A, B	Smart Array 431 Controller
9.1-GB 10,000 rpm			Smart Array 3200 Controller
			Smart Array 4200 Controller
			64-Bit/66MHz Dual Channel Wide Ultra3 SCSI Adapter 64-Bit/66MHz Single Channel Wide Ultra3 SCSI Adapter
<i>Wide Ultra3 Non-Hot Plug Drives</i>			
1-inch	Up to 2	A, B	Integrated Smart Array Controller Smart Array 221 Controller
18.2-GB 10,000 rpm			Smart Array 431 Controller
9.1-GB 10,000 rpm			Smart Array 3200 Controller Smart Array 4200 Controller
			64-Bit/66MHz Dual Channel Wide Ultra3 SCSI Adapter 64-Bit/66MHz Single Channel Wide Ultra3 SCSI Adapter
1.6-inch			
36.4-GB 10,000 rpm			
External Storage			
StorageWorks Enclosure 4200 Family (supports Ultra2/Ultra3 1" drives only)	Up to 17	External	Smart Array 221 Controller Smart Array 431 Controller Smart Array 3200 Controller Smart Array 4200 Controller 64-Bit/66MHz Dual Channel Wide Ultra3 SCSI Adapter 64-Bit/66MHz Single Channel Wide Ultra3 SCSI Adapter
ProLiant Storage System Model UE ProLiant Storage System Model U2 (supports Wide-Ultra SCSI-3 drives only)	Up to 17	External	Smart Array 221 Controller Smart Array 431 Controller Smart Array 3200 Controller Smart Array 4200 Controller 64-Bit/66MHz Dual Channel Wide Ultra3 SCSI Adapter 64-Bit/66MHz Single Channel Wide Ultra3 SCSI Adapter
SCSI Storage Expander II	Up to 3	External	Integrated Smart Array Controller Smart Array 3200 Controller Compaq Wide-Ultra SCSI-3 SCSI Adapter
StorageWorks Raid Array 4000 Kit StorageWorks Raid Array 4100 Kit	Up to 17	External	Fibre Channel Host Adapter

Storage

DRIVE SUPPORT *(continued)*

Maximum Storage Capacity (Ultra2 SCSI Attached)

Internal:	109.2 GB ((4 x 18.2) + (2 x 18.2))
External:	4.950 TB (17 x (8 x 36.4-GB hard drives))
Total:	5.059 TB

Maximum Storage Capacity (External RAID Array 4000 Attached)

Internal:	109.2 GB ((4 x 18.2) + (2 x 18.2))
External:	4.950 TB (17 x (8 x 36.4-GB hard drives))
Total:	5.059 TB

Maximum Storage Capacity (StorageWorks Enclosure SCSI Attached)

Internal:	109.2 GB ((4 x 18.2) + (2 x 18.2))
External:	4.331 TB (17 x (14 x 18.2-GB 1" Wide Ultra2/Ultra3))
Total:	4.440 TB

	Quantity Supported	Position Supported	Controller
Tape Drives			
Internal 20/40-GB DAT DDS-4 Internal 12/24-GB DAT Internal 4/8-GB DAT Internal 4/8-GB SLR	Up to 2	A, B	Integrated Smart Array Controller Compaq Wide-Ultra SCSI-3 Adapter 64-Bit/66MHz Dual Channel Wide Ultra3 SCSI Adapter 64-Bit/66MHz Single Channel Wide Ultra3 SCSI Adapter
20/40-GB DAT DDS-4 8 Cassette Autoloader	Up to 2	A, B	Compaq Dual Channel Wide-Ultra SCSI-3 Adapter Compaq Wide-Ultra SCSI-3 Adapter 64-Bit/66MHz Dual Channel Wide Ultra3 SCSI Adapter 64-Bit/66MHz Single Channel Wide Ultra3 SCSI Adapter
Internal 35/70-GB DLT Internal 20/40-GB DLT	Up to 2	A, B	Integrated Smart Array Controller Compaq Dual Channel Wide-Ultra SCSI-3 Adapter Compaq Wide-Ultra SCSI-3 Adapter 64-Bit/66MHz Dual Channel Wide Ultra3 SCSI Adapter 64-Bit/66MHz Single Channel Wide Ultra3 SCSI Adapter
DLT Tape Array II Model 35/70	1 to 4	External	Compaq Dual Channel Wide-Ultra SCSI-3 Adapter Compaq Wide-Ultra SCSI-3 Adapter
External 35/70-GB DLT External 20/40-GB DLT	Up to 3	External	Compaq Dual Channel Wide-Ultra SCSI-3 Adapter Compaq Wide-Ultra SCSI-3 Adapter 64-Bit/66MHz Dual Channel Wide Ultra3 SCSI Adapter 64-Bit/66MHz Single Channel Wide Ultra3 SCSI Adapter
TL891 DLT Library (1 – 2 Drive) TL881 DLT Library (1 – 2 Drive)	2 drives per SCSI channel	External	Compaq Dual Channel Wide-Ultra SCSI-3 Adapter Compaq Wide-Ultra SCSI-3 Adapter

SUPPORTED TAPE DRIVE OPTIONS

Tape Drive	Operating System	Key
Internal 20/40-GB DAT DDS-4 Tape Drive	Novell NetWare Microsoft Windows NT	AS, SE AS, NT
Internal 12/24-GB DAT Drive	Novell NetWare SCO UNIX Microsoft Windows NT	AS, JS, SE Native (Tar & CPIO) AS, NT, SE

Storage

SUPPORTED TAPE DRIVE OPTIONS *(continued)*

Tape Drive	Operating System	Key
Internal 4/8-GB DAT Drive	Novell NetWare	AS, JS, SE
	SCO UNIX	Native (Tar & CPIO)
	Microsoft Windows NT	AS, NT, SE
Internal 4/8-GB SLR Drive	Novell NetWare	AS, SE
	SCO UNIX	Native (Tar & CPIO)
	Microsoft Windows NT	AS, NT, SE
AIT 50-GB Tape Drive	Novell NetWare	AS, JS, SE
	SCO UNIX	Native (Tar & CPIO)
	Microsoft Windows NT	AS, NT, SE
AIT 35-GB Tape Drive	Novell NetWare	AS, JS, SE
	SCO UNIX	Native (Tar & CPIO)
	Microsoft Windows NT	AS, NT, SE
20/40-GB DAT DDS-4 8 Cassette autoloader	Novell NetWare	AS, JS, SE
	Microsoft Windows NT	AS, NT, SE
DLT Tape Array II Model 35/70	Novell NetWare	AS, LG, SE
	SCO UNIX	UX
	Microsoft Windows NT	LG
35/70-GB DLT Drive	Novell NetWare	AS, JS, LG, SE
	SCO UNIX	AO, UX
	OS/2 Warp and LAN Server	ST
	Microsoft Windows NT	AS, NT, SE, LG
20/40-GB DLT Drive	Novell NetWare	AS, JS, LG, SE
	SCO UNIX	AO, UX
	OS/2 Warp and LAN Server	NV
	Microsoft Windows NT	AS, NT, SE
TL891 DLT Library (1 – 2 Drive)	Novell NetWare	AS, SE
	Microsoft Windows NT 4.0	AS, NT, SE, LG
TL881 DLT Library (1 – 2 Drive)	Novell NetWare	AS, SE
	Microsoft Windows NT 4.0	AS, NT, SE

Keys to Chart

AS	Computer Associates ARCserve	VN	Banyan VINES support for Compaq tape drives included in operating system
JS	Computer Associates JETserve	UX	Device drivers for Compaq tape drives available from SCO in the SCO Compaq Supplement
AO	Computer Associates ARCserve Open	NT	Microsoft Windows NT support for Compaq tape drives included in operating system
LG	Legato Networker Software from Legato	NV	Novastor Novaback for OS/2
ST	Sylos Plus software		
SE	Veritas Software Backup Exec		

Technical Specifications

System Unit

Dimensions (HxWxD)	5.1 x 19 x 24.6 in/13.1 x 48.3 x 62.5 cm	
Weight	55 lbs/25 kg	
Input Requirements (per power supply)		
Range Line Voltage	90 to 132 VAC/180 to 265 VAC	
Nominal Line Voltage	100 to 120 VAC/220 to 240 VAC	
Rated Input Current	4.8A (110V) to 2.4A (220V)	
Rated Input Frequency	50 to 60 Hz	
Rated Input Power	432W	
BTU Rating	1,475 BTU/HR	
SCSI Connectors	Three HD68 connectors (2 internal, 1 external) supporting Ultra2	
Power Supply Output Power		
Steady State Power	275W	
Maximum Peak Power	305W	
Temperature Range		
Operating	50° to 95°F/10° to 35°C	
Shipping	-22° to 122°F/-30° to 50°C	
Relative Humidity (non-condensing)		
Operating	8% to 90%	
Non-operating	5% to 95%	
Maximum Wet Bulb Temperature	101.7°F/38.7°C	
Acoustic Noise	<i>L_{wAd}</i> (BELS)	<i>L_{pAm}</i> (dBA)
Idle (Fixed Disk Drives Spinning)	6.6	49
Operating (Random Seeks to Fixed Disks)	6.8	50

1.44-MB Diskette Drive

Diskette Size	3.5 in
LED Indicators (front panel)	Green
Read/Write Capacity per Diskette (high/low density)	1.44 MB/720 KB
Drive Supported	One
Drive Height	11mm
Drive Rotation	300 rpm
Transfer Rate (high/low)	500/250 Kb/s
Bytes/Sector	512
Sectors/Track (high/low)	18/9
Tracks/Side (high/low)	80/80
Access Times	
Track-to-Track (high/low)	3/6 ms
Average (high/low)	94/169 ms
Settling Time	15 ms
Latency Average	100 ms
Cylinders (high/low)	80/80
Read/Write Heads	Two

QUICKSPECS

Compaq ProLiant DL380

Technical Specifications

Hot Plug
Wide Ultra2 SCSI
Hard Drives

18.2 GB 10K	Capacity	18209.3 MB	Seek Time (typical reads, including settling)	
	Height	1 in/25.4 mm	Single Track	0.8 ms
	Width	3.5 in/88.9 mm	Average	5.2 ms
	Interface	Wide Ultra2 SCSI	Full-Stroke	12 ms
	Transfer Rate		Rotational Speed	10,000 rpm
	Synchronous (Maximum)	80 MB/s	Physical Configuration	
			Bytes/Sector	512
			Logical Blocks	35,565,080
			Operating Temperature 50° to 95°F/10° to 35°C	
	18.2 GB	Capacity	18209.3 MB	Seek Time (typical reads, including settling)
Height		1 in/25.4 mm	Single Track	0.8 ms
Width		3.5 in/88.9 mm	Average	7.0 ms
Interface		Wide Ultra2 SCSI	Full-Stroke	15 ms
Transfer Rate			Rotational Speed	7200 rpm
Synchronous (Maximum)		80 MB/s	Physical Configuration	
			Bytes/Sector	512
			Logical Blocks	35,565,080
			Operating Temperature 50° to 95°F/10° to 35°C	
9.1 GB 10K		Capacity	9100.0 MB	Seek Time (typical reads, including settling)
	Height	1 in/25.4 mm	Single Track	0.8 ms
	Width	3.5 in/88.9 mm	Average	5.2 ms
	Interface	Wide Ultra2 SCSI	Full-Stroke	12 ms
	Transfer Rate		Rotational Speed	10,000 rpm
	Synchronous (Maximum)	80 MB/s	Physical Configuration	
			Bytes/Sector	512
			Logical Blocks	17,773,524
			Operating Temperature 50° to 95°F/10° to 35°C	
	9.1 GB	Capacity	9100.0 MB	Seek Time (typical reads, including settling)
Height		1 in/25.4 mm	Single Track	0.8 ms
Width		3.5 in/88.9 mm	Average	7.0 ms
Interface		Wide Ultra2 SCSI	Full-Stroke	15 ms
Transfer Rate			Rotational Speed	7200 rpm
Synchronous (Maximum)		80 MB/s	Physical Configuration	
			Bytes/Sector	512
			Logical Blocks	17,773,524
			Operating Temperature 50° to 95°F/10° to 35°C	

QUICK SPECS

Compaq ProLiant DL380

Technical Specifications

Non-Hot Plug
Wide Ultra2 SCSI
Hard Drives

18.2 GB	Capacity	18209.3 MB	Seek Time (typical reads, including settling)	
	Height	1 in/25.4 mm	Single Track	0.8 ms
	Width	3.5 in/88.9 mm	Average	7.0 ms
	Interface	Wide Ultra2 SCSI	Full-Stroke	15 ms
	Transfer Rate		Rotational Speed	7200 rpm
	Synchronous (Maximum)	80 MB/s	Physical Configuration	
			Bytes/Sector	512
			Logical Blocks	35,565,080
			Operating Temperature 50° to 95°F/10° to 35°C	

9.1 GB	Capacity	9100.0 MB	Seek Time (typical reads, including settling)	
	Height	1 in/25.4 mm	Single Track	0.8 ms
	Width	3.5 in/88.9 mm	Average	7.1 ms
	Interface	Wide Ultra2 SCSI	Full-Stroke	16 ms
	Transfer Rate		Rotational Speed	7200 rpm
	Synchronous (Maximum)	80 MB/s	Physical Configuration	
			Bytes/Sector	512
			Logical Blocks	17,773,524
			Operating Temperature 50° to 95°F/10° to 35°C	

Hot Plug
Wide Ultra3 SCSI
Hard Drives

18.2 GB 10K	Capacity	18209.3 MB	Seek Time (typical reads, including settling)	
	Height	1 in/25.4 mm	Single Track	0.8 ms
	Width	3.5 in/88.9 mm	Average	5.2 ms
	Interface	Wide Ultra3 SCSI	Full-Stroke	12 ms
	Transfer Rate		Rotational Speed	10,000 rpm
	Synchronous (Maximum)	160 MB/s	Physical Configuration	
			Bytes/Sector	512
			Logical Blocks	35,565,080
			Operating Temperature 50° to 95°F/10° to 35°C	

9.1 GB 10K	Capacity	9100.0 MB	Seek Time (typical reads, including settling)	
	Height	1 in/25.4 mm	Single Track	0.8 ms
	Width	3.5 in/88.9 mm	Average	5.0 ms
	Interface	Wide Ultra3 SCSI	Full-Stroke	12 ms
	Transfer Rate		Rotational Speed	10,000 rpm
	Synchronous (Maximum)	160 MB/s	Physical Configuration	
			Bytes/Sector	512
			Logical Blocks	17,773,524
			Operating Temperature 50° to 95°F/10° to 35°C	

QUICKSPECS

Compaq ProLiant DL380

Technical Specifications

Non-Hot Plug
Wide Ultra3 SCSI
Hard Drives

36.4 GB 10K	Capacity	36419.5 MB	Seek Time (typical reads, including settling)	
	Height	1.6 in/40.6 mm	Single Track	0.8 ms
	Width	3.5 in/88.9 mm	Average	5.7 ms
	Interface	Wide Ultra3 SCSI	Full-Stroke	13 ms
	Transfer Rate		Rotational Speed	10,000 rpm
	Synchronous (Maximum)	160 MB/s	Physical Configuration	
			Bytes/Sector	512
			Logical Blocks	71,132,000
			Operating Temperature 50° to 95°F/10° to 35°C	
	18.2 GB 10K	Capacity	18209.3 MB	Seek Time (typical reads, including settling)
Height		1 in/25.4 mm	Single Track	0.8 ms
Width		3.5 in/88.9 mm	Average	5.5 ms
Interface		Wide Ultra3 SCSI	Full-Stroke	12 ms
Transfer Rate			Rotational Speed	10,000 rpm
Synchronous (Maximum)		160 MB/s	Physical Configuration	
			Bytes/Sector	512
			Logical Blocks	35,565,080
			Operating Temperature 50° to 95°F/10° to 35°C	
9.1-GB 10K		Capacity	9100.0 MB	Seek Time (typical reads, including settling)
	Height	1 in/25.4 mm	Single Track	0.8 ms
	Width	3.5 in/88.9 mm	Average	5.0 ms
	Interface	Wide Ultra3 SCSI	Full-Stroke	12 ms
	Transfer Rate		Rotational Speed	10,000 rpm
	Synchronous (Maximum)	160 MB/s	Physical Configuration	
			Bytes/Sector	512
			Logical Blocks	17,773,524
			Operating Temperature 50° to 95°F/10° to 35°C	

Technical Specifications

Low-Profile 24X Max IDE CD-ROM Drive

Disk	
Applicable Disk	CD-DA, CD-ROM (Mode 1 and 2) CD-XA, CD-I (Mode 2, Form 1 and 2) CD-I Ready, CD Extra, Video CD, CD-Bridge Photo CD (Single and Multi-session) CD-WO
Capacity	550 MB (Mode 1, 12 cm) 640 MB (Mode 2, 12 cm)
Diameter	4.7 in, 3.15 in/12 cm, 8 cm
Rotational Speed	4200 rpm maximum
Center Hole	0.6 in/15 mm diameter
Thickness	1.2 mm
Track Pitch	1.6 μ m
Block Size	
Mode 0	2,368, 2,352 bytes
Mode 1	2,352, 2,340, 2,336, 2,048 bytes
Mode 2	2,352, 2,340, 2,336, 2,048 bytes
Interface	IDE (ATAPI)
Access Times (typical)	
Random	< 140 ms
Full-Stroke	< 300 ms
Data Transfer Rate	
Sustained	150 KB/s (sustained 1X)
Burst	2100 to 4800 KB/s
Cache Buffer	128 KB
Start-up Time (typical)	< 10 seconds
Stop Time	< 5 seconds
Operating Conditions	
Temperature	41° to 120°F/5° to 55°C
Humidity	10% to 80%
Dimensions	
(HxWxD, maximum)	0.51 x 5.24 x 5.2 in/12.7 x 131 x 130 mm
Weight	< 340 g

Technical Specifications

Integrated Smart Array Controller

Data Compatible with all Smart Array Controllers	Yes
Instant Upgrades to other Smart Array Controllers	Yes
Consistent Software Manageability Tools	Yes
PCI Bus	32-bit, 33 MHz (integrated on server board)
PCI Peak Data Transfer Rate	133 MB/s
SCSI Protocols Supported	Ultra2, Wide-Ultra
SCSI Peak Data Transfer Rate	80 MB/s
Note: For ProLiant servers having TWO internal drive bays on separate SCSI ports: SCSI Peak Data Transfer Rate is 160 MB/s total; 80 MB/s per channel and Channels is 2.	
Channels	1
Note: For ProLiant servers having TWO internal drive bays on separate SCSI ports: SCSI Peak Data Transfer Rate is 160 MB/s total; 80 MB/s per channel and Channels is 2.	
SCSI Ports (external/internal)	0/1
Note: For ProLiant servers having TWO internal drive bays on separate SCSI ports: SCSI Peak Data Transfer Rate is 160 MB/s total; 80 MB/s per channel and Channels is 2.	
Drives Supported (maximum)	Maximum = total number of internal drives
Note: Maximum is the total number of internal drives on each specific ProLiant server.	
Cache	64-MB battery backed read-write
RAID Support	0, 1, 0+1,4, 5
Logical Drives (maximum)	32
Online Configuration	Yes
Online Capacity Expansion	Yes
Logical Drive Capacity Extension	Yes
Online Stripe Size Migration	Yes
Online RAID Level Migration	Yes
Online Spare Support	Yes
Automatic Data Recovery	Yes
Drive Roaming	Yes
Redundant Controllers	Yes

Technical Specifications

Compaq NC3163 Fast Ethernet NIC Embedded 10/100 WOL

Network Interface	10Base-T/100Base-TX
Compatibility	IEEE 802.3/802.3u compliant
Data Transfer Method	32-bit bus-master PCI
Network Transfer Rate	
10Base-T (Half-Duplex)	10 Mb/s
10Base-T (Full-Duplex)	20 Mb/s
100Base-TX (Half-Duplex)	100 Mb/s
100Base-TX (Full-Duplex)	200 Mb/s
Connector	RJ-45
Cable Support	
10Base-T	Categories 3, 4 or 5 UTP; up to 328 feet (100 meters)
100Base-TX	Category 5 UTP; up to 328 feet (100 meters)

Video Controller

Controller Chip	ATI RAGE IIC PCI
Video DRAM	4-MB Video SGRAM
Data Transfer Method	32-bit PCI
Support Resolution	Supported Color Depths:
640 x 480	16.7M, 64K, 256, 16
800 x 600	16.7M, 64K, 256, 16
1024 x 768	16.7M, 64K, 256, 16
1152 x 864	16.7M, 64K, 256, 16
1280 x 1024	16.7M, 64K, 256, 16
1600 x 1200	64K, 256, 16
Connector	VGA

Smart Array 221 Controller

Drives Supported	Up to 14 drives (The ProLiant-1600 will support up to six internal hard drives or 12 external hard drives using the ProLiant Storage System Model UE storage enclosure.)
Data Transfer Method	32-bit PCI bus-master
Maximum Transfer Rate per PCI Bus (peak)	133 MB/s
Simultaneous Drive Transfer Channels	One
Total Transfer Rate	80 MB/s per channel
Software Upgradable Firmware	Yes
Cache	6-MB of ECC protected read cache
Reliability Features	
Distributed Data Guarding (RAID 5)	Yes
Drive Mirroring (RAID 1)	Yes
Drive Striping (RAID 0, 0 + 1)	Yes
Automatic Data Recovery	Yes

Technical Specifications

**Smart Array 4200
Controller**

Data Compatible with all Smart Array Controllers	Yes
Instant Upgrades to other Smart Array Controllers	Yes
Consistent Software Manageability Tools	Yes
PCI Bus	64-bit, 33 MHz
PCI Peak Data Transfer Rate	266 MB/s
SCSI Protocols Supported	Ultra2, Wide-Ultra
SCSI Peak Data Transfer Rate	320 MB/s total, 80 MB/s per channel
Channels	4
SCSI Ports (external/internal)	4/2
Drives Supported (maximum)	56
Note: Drives Supported (maximum) is based on use of Compaq StorageWorks Enclosure 4200 family (14 hard disk drive enclosure).	
Cache	64-MB battery backed read-write
RAID Support	0, 1, 0+1, 5
Logical Drives (maximum)	32
Online Configuration	Yes
Online Capacity Expansion	Yes
Logical Drive Capacity Extension	Yes
Online Stripe Size Migration	Yes
Online RAID Level Migration	Yes
Online Spare Support	Yes
Automatic Data Recovery	Yes
Drive Roaming	Yes
Redundant Controllers	No

Technical Specifications

Smart Array 3200 Controller

Data Compatible with all Smart Array Controllers	Yes
Instant Upgrades to other Smart Array Controllers	Yes
Consistent Software Manageability Tools	Yes
PCI Bus	32-bit, 33 MHz
PCI Peak Data Transfer Rate	133 MB/s
SCSI Protocols Supported	Ultra2, Wide-Ultra
SCSI Peak Data Transfer Rate	160 MB/s total, 80 MB/s per channel
Channels	2
SCSI Ports (external/internal)	2/2
Drives Supported (maximum)	28
Note: Drives Supported (maximum) is based on use of Compaq StorageWorks Enclosure 4200 family (14 hard disk drive enclosure).	
Cache	64-MB battery backed read-write
RAID Support	0, 1, 0+1, 4, 5
Logical Drives (maximum)	32
Online Configuration	Yes
Online Capacity Expansion	Yes
Logical Drive Capacity Extension	Yes
Online Stripe Size Migration	Yes
Online RAID Level Migration	Yes
Online Spare Support	Yes
Automatic Data Recovery	Yes
Drive Roaming	Yes
Redundant Controllers	No

Technical Specifications

Smart Array 431 Controller

Data Compatible with all Smart Array Controllers	Yes
Instant Upgrades to other Smart Array Controllers	Yes
Consistent Software Manageability Tools	Yes
PCI Bus	64-bit, 66MHz
PCI Peak Data Transfer Rate	533 MB/s
SCSI Protocols Supported	Ultra3, Ultra2, Wide-Ultra
SCSI Peak Data Transfer Rate	160 MB/s
Channels	1
SCSI Ports (external/internal)	1/1
Drives Supported (maximum)	14
Note: Drives Supported (maximum) is based on use of Compaq StorageWorks Enclosure 4200 family (14 hard disk drive enclosure).	
Cache	16-MB cache engine
RAID Support	0, 1, 0+1 5
Logical Drives (maximum)	32
Online Configuration	Yes
Online Capacity Expansion	Yes
Logical Drive Capacity Extension	Yes
Online Stripe Size Migration	Yes
Online RAID Level Migration	Yes
Online Spare Support	Yes
Automatic Data Recovery	Yes
Drive Roaming	Yes
Redundant Controllers	No

64-bit / 66 MHz Single Channel Wide Ultra3 SCSI Adapter

Drives Supported	Up to 14 SCSI devices
Storage Capacity	254.8 GB
Data Transfer Method	64-bit / 66 MHz PCI bus-master
Maximum SCSI Channel Transfer Rate	160 MB/s per channel
Maximum Transfer Rate per PCI Bus (peak)	532 MB/s per channel
SCSI Protocols	Wide Ultra3 SCSI Wide Ultra2 SCSI Wide-Ultra SCSI-3 Fast-Wide SCSI-2 Fast SCSI-2
Electrical Protocol	Low Voltage Differential (LVD)
SCSI Termination	Active Termination
External SCSI Connectors	One 68-Pin Wide Ultra SCSI-3 connector
Internal SCSI Connectors	Two 68-Pin Wide Ultra SCSI-3 connectors (one LVD and one SE) One 50-Pin Narrow Ultra connector

QUICK SPECS

Compaq ProLiant DL380

Technical Specifications

64-bit / 66 MHz Dual
Channel Wide Ultra3 SCSI
Adapter

Drives Supported	Up to 28 SCSI devices (14 per channel)
Storage Capacity	509.6 GB
Data Transfer Method	64-bit / 66 MHz PCI bus-master
Maximum SCSI Channel Transfer Rate	160 MB/s per channel
Maximum Transfer Rate per PCI Bus (peak)	532 MB/s per channel
SCSI Protocols	Wide Ultra3 SCSI Wide Ultra2 SCSI Wide-Ultra SCSI-3 Fast SCSI-2
Electrical Protocol	Low Voltage Differential (LVD)
SCSI Termination	Active Termination
External SCSI Connectors	Two 68-Pin VHDCI connectors
Internal SCSI Connectors	Two 68-Pin Wide Ultra SCSI-3 connectors One 50-Pin Narrow Ultra connector

Compaq Rack 9142 (42U)
(optional)

Dimensions	Total Cabinet	Shipping	Color
Height	78.7 in/2,000 mm	83.38 in/2,168.65 mm	
Depth	35.8 in/909 mm	48 in/1,219.2 mm	Opal
Width	23.7 in/603 mm	32 in/812.8 mm	
Weight	253 lbs/114.84 kg	325 lbs/147.52 kg	

Compaq Rack 9136 (36U)
(optional)

Dimensions	Total Cabinet	Shipping	Color
Height	68.6 in/1,742 mm	75.25 in/1,911.35 mm	
Depth	35.8 in/909 mm	48 in/1,219.2 mm	Opal
Width	23.7 in/603 mm	32 in/812.8 mm	
Weight	165 lbs/75 kg	234 lbs/106 kg	

Compaq Rack 9122 (22U)
(optional)

Dimensions	Total Cabinet	Shipping	Color
Height	43 in/1,092 mm	52.25 in/1,327.15 mm	
Depth	35.8 in/909 mm	48 in/1,219.2 mm	Opal
Width	24 in/610 mm	32 in/812.8 mm	
Weight	176 lbs/79.89 kg	225 lbs/102.13 kg	

Compaq Rack 7142 (42U)
(optional)

Dimensions	Total Cabinet	Usable Area	Shipping
Height	85 in/215.9 cm	73.5 in/186.69 cm	90.75 in/230.5 cm
Depth	33.25 in/84.45 cm	29.21 in/74.19 cm	48 in/121.92 cm
Width	23.25 in/59.05 cm	19 in/48.26 cm	32 in/81.28 cm
Weight	253 lbs/114.84 kg	—	325 lbs/147.52 kg

Technical Specifications

OS Driver Support

Operating Systems	Current Drivers	Driver Location (Punch-out diskettes only.)
Microsoft Windows NT Server 3.51 Note: Windows NT version 3.51 does not support the Integrated Smart Array Controller. Future support is planned for early Q3, 2000.	NTSSD 1.38a	SmartStart CD and www.compaq.com
Microsoft Windows NT Server 4.0	NTSSD 2.17a	SmartStart CD and www.compaq.com
Microsoft Windows NT Server, Enterprise Edition 4.0	NTSSD 2.17a	SmartStart CD and www.compaq.com
Microsoft Windows NT Server 4.0, Terminal Server Edition	NTSSD 2.17a	SmartStart CD and www.compaq.com
Microsoft Windows 2000	Support Software Bundle for Windows 2000 5.02a	SmartStart CD and www.compaq.com
Novell NetWare 3.2	NSSD 5.50a	SmartStart CD and www.compaq.com
Novell NetWare 4.2, 4.2 SMP	NSSD 5.50a	SmartStart CD and www.compaq.com
Novell NetWare 5.x	NSSD 5.50a	SmartStart CD and www.compaq.com
Novell NetWare for Small Business Suite 4.2	NSSD 5.50a	SmartStart CD and www.compaq.com
Novell NetWare for Small Business Suite 5	NSSD 5.50a	SmartStart CD and www.compaq.com
SCO OpenServer 5.0.4, 5.0.5	EFS 5.34	SmartStart CD and www.compaq.com
SCO UnixWare 2.1.2, 2.1.3	EFS 2.34	SmartStart CD and www.compaq.com
SCO UnixWare 7.01, 7.10	EFS 7.34	SmartStart CD and www.compaq.com
IBM OS/2 Warp Connect 3	OS2SSD 4.40 NICSSD 1.55	SmartStart CD and www.compaq.com
IBM OS/2 Warp Server 4	OS2SSD 4.40 NICSSD 1.55	SmartStart CD and www.compaq.com
IBM OS/2 Warp Server Advanced 4	OS2SSD 4.40 NICSSD 1.55	SmartStart CD and www.compaq.com
IBM OS/2 Warp Server Advanced 4 SMP	OS2SSD 4.40 NICSSD 1.55	SmartStart CD and www.compaq.com
Sun Solaris 8 Intel Platform Edition	Solaris Driver Update 1.10	www.compaq.com
Sun Solaris 7 Intel Platform Edition	Solaris Driver Update 1.10	www.compaq.com
Sun Solaris 2.6 Intel Platform Edition	Solaris Driver Update 1.10	www.compaq.com

(Note: Not all storage controllers are supported under Solaris 2.6, 7, and 8. Please refer to the Supported Devices list on the Solaris Driver Update download page.

Please see customer advisories for additional information on Solaris 8 installation.)

OS Driver Support (continued)

Operating Systems	Current Drivers	Driver Location (Punch-out diskettes only.)
Linux RedHat Version 6.1 (No manageability is provided and is only supported on certified configurations.)	Planned	
Banyan VINES 8.X (Banyan drivers are not available for Intel-based server NICs.)	PAT 3.09 LAT 3.03	SmartStart CD and www.compaq.com