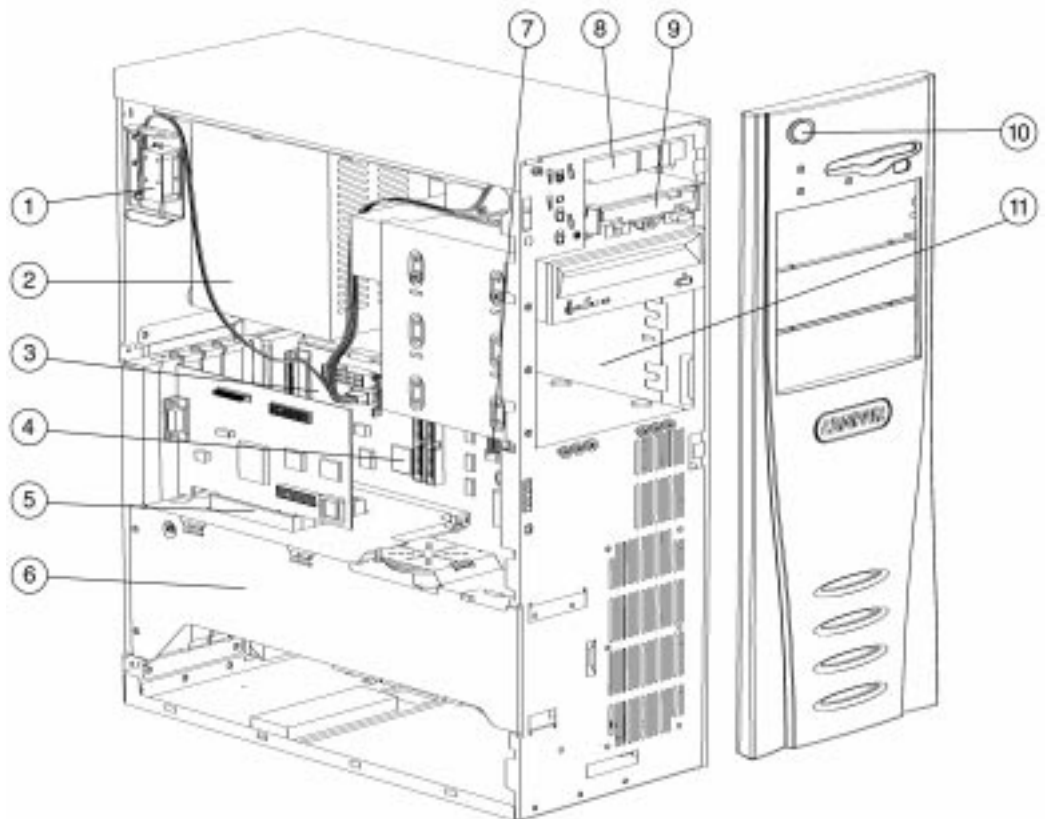


OVERVIEW

Compaq Deskpro 4000
Series Minitowers

BENEFITS AT A GLANCE

- 166-MHz Intel Pentium® Processor with MMX technology or 233-MHz and 266-MHz Pentium II® Processor
- 32-MB of SDRAM standard, with expansion capabilities up to 384 MB
- 512 KB level 2 cache
- PCI/ISA Architecture
- Pentium Processor with MMX technology models: seven-slot/five-bay minitower; Pentium II models: eight slot/five bay
- Models available with 16X MAX CD-ROM Drive (slot-load) on Pentium Processor with MMX technology or 24X MAX CD-ROM Drive (slot-load) on Pentium II Processors
- Enhanced Business Pro Audio on all CDS models
- S3 ViRGE/GX Enhanced 64-bit Graphics with 3D Acceleration on Pentium Processor with MMX technology; Matrox MGA 1064-SG Performance Graphics on Pentium II Processor models
- Embedded Ultra ATA controller
- Compaq Netelligent 10/100 TX Embedded UTP controller
- 3.2-GB Ultra ATA hard drives
- Service-friendly design including Quick Release Cover Latches, Slide-Out Cage, and Slide-Out Drive System Board
- Infrared port for cableless data transfers
- Compaq Intelligent Manageability including Remote Wakeup and Smart Cover Lock
- Pentium Processor with MMX technology models are Energy Star compliant
- Windows 95 preinstalled on Pentium Processor with MMX technology models, Windows NT 4.0 preinstalled on Pentium II Processor models
- Protected by Compaq Services, including a three-year¹ limited warranty



1. Small Cover Lock
2. 260-Watt Power Supply
3. Slide-Out System Board
4. Compaq Netelligent 10/100 TX Embedded UTP Controller
5. Expansion Slots
6. Removable Expansion Card Cage
7. Memory Expansion Sockets
8. SMART II Ultra ATA Hard Drive
9. 1.44-MB Diskette Drive
10. Dual State Power Button
11. User-Accessible Expansion Bays

¹ Certain restrictions and exclusions apply. Consult the Compaq Customer Support Center for details.

MODELS

Deskpro 4000

Model
5166X/3200/CDS
(32 MB)
270690-003

6233X/3200/CDS
(32 MB)
270700-003

6266X/3200/CDS
(32 MB)
270800-003

STANDARD FEATURES

Processor

166-MHz Intel Pentium[®] Processor with MMX technology or 233- and 266-MHz Pentium II Processors

Upgradability

Allows for upgrades of processor, memory and hard drives

Graphics

Pentium Processor with MMX technology models: S3 ViRGE/GX Enhanced 64-bit Graphics with 3D Acceleration via PCI card (2-MB SGRAM standard with maximum resolution 1280 x 1024 with 256 colors, upgradable to 4-MB SGRAM with 1280 x 1024x 65K colors)

Pentium II Processor models: Matrox MGA 1064-SG Graphics Accelerator PCI card (2-MB SGRAM standard with maximum resolution of 1600 x 1200 x 256 colors, upgradable to 4-MB SGRAM providing 1600 x 1200 x 65K colors)

Memory

32-MB SDRAM standard, expandable to 384 MB

Architecture

PCI/ISA

Expansion Slots/Bays

Pentium Processor with MMX technology models: seven-slot/five-bay Minitower with 4 PCI and 3 ISA slots; four externally accessible drive bays and 1 internal drive bay

Pentium II Processor models: eight-slot/five-bay with three PCI, three ISA, one shared PCI/ISA slot, one AGP slot; four external bays and one internal bay

CD-ROM Drive/Audio

Preinstalled with a 16X MAX CD-ROM Drive IDE (slot-load) on Pentium Processors with MMX technology models and 24X MAX CD-ROM Drive IDE (slot-load) on Pentium II Processor models; Enhanced Business Pro Audio, input/output jacks, and internal speaker

Diskette Drive

1.44-MB diskette drive standard

Network Controller

Compaq Netelligent 10/100 TX Embedded UTP Controller

Hard Drives

3.2-GB Ultra ATA Hard Drive

Cache

512-KB pipeline burst synchronous level 2

Intelligent Manageability

Intelligent Manageability combines innovative hardware technology with PC LAN management tools from Compaq and other leading vendors to make Compaq computers easier to inventory, trouble shoot, protect, and maintain. Intelligent Manageability includes: Asset Management, Fault Management, Security Management, Configuration Management, and Integration Management.

Service-Friendly Design

Includes Removable Expansion Card Cage, Slide-Out Drive Cage and Slide-Out System Board

Interfaces

ECP parallel, serial (2), infrared, keyboard, RJ-45, AUI, USB (2), mouse and video

Security

Smart Cover Lock, Memory Change Alert, Ownership Tag, Configuration Control Hardware, Smart Cover Sensor, Setup Password, Power-On Password, QuickLock, QuickBlank, Removable Media Boot Control, Removable Media Write Control, Serial Control, Parallel Control, Infrared Control, USB Port Control, and Cable Lock Provision

Energy Conservation

Energy-saver modes for monitor, hard drives and processor, power supply, and internal fan, Pentium Processor with MMX technology models are all Energy Star compliant.

Ease of Use

Plug and Play compliant

Power Supply

200 watts on Pentium Processor with MMX technology models; 260 watts on Pentium II Processor models

Software

Windows 95 on Pentium Processor with MMX technology models, Windows NT 4.0 on Pentium II Processor models, Insight Personal Edition, Computer Setup Utility, Diagnostics for Windows, Enhanced Intelligent Manageability

Service and Support

Protected by Compaq Services including a three-year¹ limited warranty with first year on-site, toll-free 7 x 24 hardware technical phone support and on-line support through CompuServe, Prodigy, America Online and the Internet.

OPTIONS

Memory

256-KB Secondary Cache	278797-B21
8-MB Memory Kit (1 x 8 MB) (SDRAM, DIMM, 66 MHz)	242802-B21
16-MB Memory Kit (1 x 16 MB) (SDRAM, DIMM, 66 MHz)	242803-B21
32-MB Memory Kit (1 x 32 MB) (SDRAM, DIMM, 66 MHz)	242804-B21
64-MB Memory Kit (1 x 64 MB) SDRAM, DIMMs, 66 MHz)	242805-B21
128-MB Memory Kit (1 x 128 MB) (SDRAM, DIMM, 66 MHz)	270812-B21
16-MB Memory Kit (1 x 16 MB) ⁴ (SDRAM-ECC, DIMM, 66 MHz)	270840-B21
32-MB Memory Kit (1 x 32 MB) ⁴ (SDRAM-ECC, DIMM, 66 MHz)	270841-B21
64-MB Memory Kit (1 x 64 MB) ⁴ (SDRAM-ECC, DIMM, 66 MHz)	270842-B21
128-MB Memory Kit (1 x 128 MB) ⁴ (SDRAM-ECC, DIMM, 66 MHz)	270843-B21

Monitors

V50 Color ²	264150-001
V70 Color ²	255606-001
V90 Color ²	305609-001
P50 Color ²	264200-001
P70 Color ²	255650-001
P110 Color ²	284956-001
P1610 Color ²	305708-001
TFT500 Flat Panel ²	285006-001

Graphics

2-MB SGRAM Module Memory Kit	270834-B21
PCI Matrox Millennium II Card	270246-B21
2-MB WRAM Memory Module (for use with the PCI Matrox Millennium Card)	223335-001
6-MB WRAM Memory Module (for use with the PCI Matrox Millennium Card)	223336-001

Diskette Drives/Hard Drives

LS-120 Drive	185061-001
2.1-GB IDE Hard Drive	184985-001
2.4-GB Ultra ATA Hard Drive	296604-B21
4.3-GB Ultra ATA Hard Drive	296606-B21
2.1-GB UltraSCSI Hard Drive	185251-001
4.2-GB UltraSCSI Hard Drive	185252-001

Storage/Controllers and Adapters

Plug and Play SCSI Controller	187749-001
PCI UltraSCSI Controller	185250-001
SCSI Storage Expander	142185-001

Tape Drives

TR4 4-GB IDE Tape Drive	186703-B21
-------------------------	------------

Multimedia

8X PD-CD Drive	185261-001
Enhanced Business Pro Audio Kit	185430-001
Compaq Multimedia Sound System	294106-001
Business Wavetable Sound card	294146-B21
Business Multimedia 24X Kit	294147-B21

PC companion

C120	266500-001
C120+	266502-001
C140	266550-001

Communications

Serial/Parallel Interface Board	108406-002
Netelligent 10/100 TX PCI UTP	169845-002
Netelligent 10 T PCI UTP	242500-001
Netelligent 10 T ISA UTP	265615-001
Netelligent 10 T/2 ISA UTP/Coax	265616-001
Netelligent 4/16 TR PCI/IBM STP/UTP	301206-B21
IBM-Compatible Auto 16/4 Token- Ring ISA	301207-B21
Netelligent 4/16 TR PCI UTP/STP-S	268009-001
Netelligent 4/16 TR ISA UTP/STP-S	265435-001
Netelligent 56K ISA Data/Fax Modem	294900-001
336 ISA Data/Fax Modem	259213-002
External Infrared Transceiver ⁵	220687-002

Other

Mouse	143315-001
Keyboard	110562-001
TFT500 Arm Option	285040-B21
Ultra ATA 80-Conductor cable Kit ³	294162-B21

¹ Certain restrictions and exclusions apply. Consult the Compaq Customer Support Center for details.

² AssetControl monitor. AssetControl features are accessible with Compaq desktops featuring Intelligent Manageability.

³ For optimum performance with multiple Ultra ATA hard drives, add the Ultra ATA 80 - Conductor Cable Kit.

⁴ There is no exchange or return program available for SDRAM when replacing a standard SDRAM non-ECC based system with SDRAM-ECC memory.

⁵ Requires disabling of one serial port and an optional External Infrared Transceiver.

FEATURES

Compaq Deskpro 4000
Series Minitowers

	Compaq Deskpro 4000 Model 5166X	Compaq Deskpro 4000 Model 6233X	Compaq Deskpro 4000 Model 6266X
System Unit			
Microprocessor	166-MHz Intel Pentium® Processor with MMX technology	233-MHz Pentium II® Processor	233-MHz Pentium II® Processor
Upgradability	To other Pentium processors with MMX technology	To other Pentium II processors	
Cache	512-KB pipeline burst synchronous level 2	512-KB pipeline burst synchronous level 2	512-KB pipeline burst synchronous level 2
Architecture	PCI/ISA	PCI/ISA	PCI/ISA
Slots			
Shared PCI/ISA (Total/Average)	0/0	0	0
PCI (total/available)	4/3	4/3	4/3
ISA (total/available)	3/3	3/3	3/3
AGP	0	1/1	1/1
Total	7	8	8
Bays			
Internal	1	1	1
External	4	4	4
Total	5	5	5
RAM			
Standard	32 MB	32 MB	32 MB
Maximum	384 MB	384 MB	384 MB
Intelligent Manageability			
Asset Management	Standard	Standard	Standard
Configuration Management	Standard	Standard	Standard
Fault Management	Standard	Standard	Standard
Security Management	Standard	Standard	Standard
Integration Management	Standard	Standard	Standard
Network Interface Controller			
Netelligent 10/100 TX Embedded UTP Controller	Embedded	Embedded	Embedded
Storage			
Diskette Drives			
Standard	1.44-MB	1.44-MB	1.44-MB
Optional	LS-120 Drive	LS-120 Drive	LS-120 Drive
CD-ROM Drives			
Standard	16X MAX CD-ROM Drive	24X MAX CD-ROM Drive	24X MAX CD-ROM Drive
Optional	16X MAX CD-ROM Drive, 8X PD-CD Drive	16X MAX CD-ROM, 8X PD-CD Drive	16X MAX CD-ROM, 8X PD-CD Drive
Hard Drives			
Standard	3.2-GB Ultra ATA	3.2-GB Ultra ATA	3.2-GB Ultra ATA
Optional	2.4-GB Ultra ATA, 2.1-GB IDE, 4.3-GB Ultra ATA, 2.1-GB UltraSCSI, 4.2-GB UltraSCSI	2.4-GB Ultra ATA, 2.1-GB IDE, 4.3-GB Ultra ATA, 2.1-GB UltraSCSI, 4.2-GB UltraSCSI	2.4-GB Ultra ATA, 2.1-GB IDE, 4.3-GB Ultra ATA, 2.1-GB UltraSCSI, 4.2-GB UltraSCSI

FEATURES *(cont'd)*

Compaq Deskpro 4000 Series Minitowers

	Compaq Deskpro 4000 Model 5166X	Compaq Deskpro 4000 Model 6233X	Compaq Deskpro 4000 Model 6266X
Storage <i>(cont'd)</i>			
Tape Drives			
Optional	TR4 4-GB IDE Tape Drive	TR4 4-GB IDE Tape Drive	TR4 4-GB IDE Tape Drive
Controllers			
Standard	Embedded Ultra ATA	Embedded Ultra ATA	Embedded Ultra ATA
Optional	Plug and Play SCSI (ISA), PCI UltraSCSI	Plug and Play SCSI (ISA), PCI UltraSCSI	Plug and Play SCSI (ISA), PCI UltraSCSI
Interfaces			
Parallel	1	1	1
Serial	2	2	2
Infrared ¹	1	1	1
Pointing Device (mouse)	1	1	1
Graphics	1	1	1
RJ-45	1	1	1
AUI	1	1	1
Keyboard	1	1	1
USB	2	2	2
Graphics			
S3 ViRGE/GX Enhanced 64-bit Graphics	Standard	—	—
Matrox MGA 1064-SG Graphics Accelerator	—	Standard	Standard
Monitors			
V50 Color	Optional	Optional	Optional
V70 Color	Optional	Optional	Optional
V90 Color	Optional	Optional	Optional
P50 Color	Optional	Optional	Optional
P70 Color	Optional	Optional	Optional
P110 Color	Optional	Optional	Optional
P1610 Color	Optional	Optional	Optional
TFT500 Flat Panel	Optional	Optional	Optional
Multimedia			
Compaq Multimedia Sound System	Optional	Optional	Optional
Business Wavetable Sound Card	Optional	Optional	Optional
Business Multimedia 24X Kit	Optional	Optional	Optional
Keyboard			
Compaq Enhanced Keyboard	Standard	Standard	Standard
Supported System Software			
Software Included	Windows 95, Insight Personal Edition, Diagnostics for Windows, Enhanced Intelligent Manageability	Windows NT 4.0, Insight Personal Edition, Diagnostics for Windows, Enhanced Intelligent Manageability	Windows NT 4.0, Insight Personal Edition, Diagnostics for Windows, Enhanced Intelligent Manageability
Banyan VINES v 6.0	Optional	Optional	Optional
NetWare v 4.x, 3.x	Optional	Optional	Optional

FEATURES *(cont'd)*

Compaq Deskpro 4000 Model 5166X	Compaq Deskpro 4000 Model 6233X	Compaq Deskpro 4000 Model 6266X
------------------------------------	------------------------------------	------------------------------------

Supported System Software

(cont'd)

IBM OS/2 Warp 4.0 ²	Optional	Optional	Optional
Windows NT 4.0 ³	Optional	Standard	Standard
Windows 95 ³	Standard	Optional	Optional

¹ Requires disabling of one serial port and an optional External Infrared Transceiver.

² Not all product features are supported in this OS.

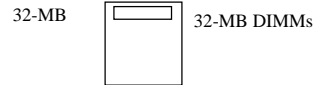
³ License exchange available. Consult the Compaq Customer Support Center for details.

MEMORY

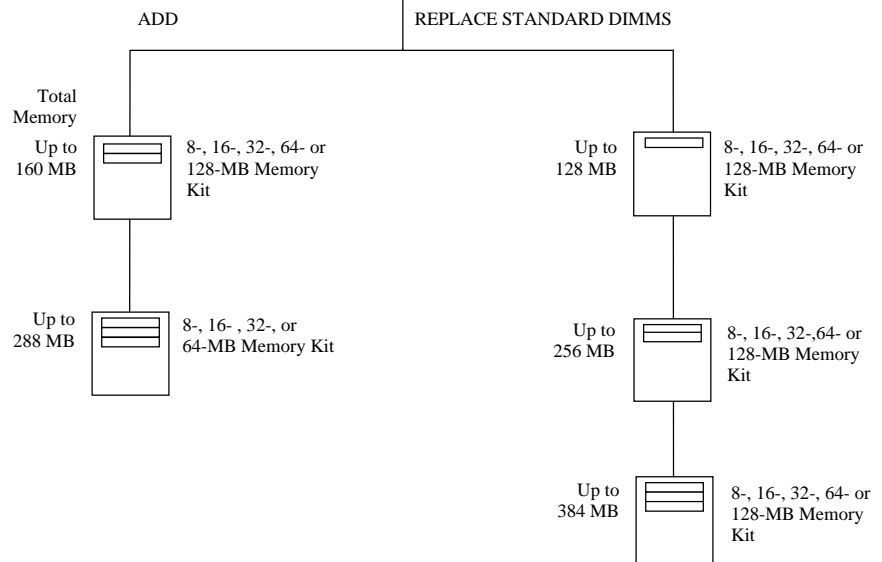
Compaq Deskpro 4000
Series Minitowers

Compaq Deskpro 4000

STANDARD MEMORY



OPTIONAL MEMORY

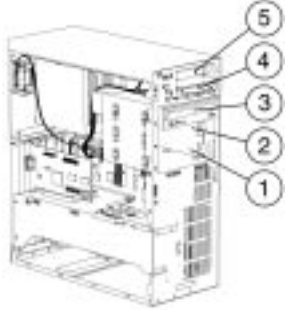


Following are the memory options available from Compaq:

- 8-MB Memory Kit (1 x 8 MB, SDRAM DIMM, 66 MHz) 242802-B21
- 16-MB Memory Kit (1 x 16 MB, SDRAM DIMM, 66 MHz) 242803-B21
- 32-MB Memory Kit (1 x 32 MB, SDRAM DIMM, 66 MHz) 242804-B21
- 64-MB Memory Kit (1 x 64 MB, SDRAM DIMM, 66 MHz) 242805-B21
- 128-MB Memory Kit (1 x 128 MB, SDRAM DIMM, 66 MHz) 270812-B21

STORAGE

Compaq Deskpro 4000
Series Minitowers



DESKPRO 4000 SERIES MINITOWERS DRIVE SUPPORT

	Quantity Supported	Position Supported	Controller
Removable Media			
LS-120 Drive	Up to 2	1,2,3,4	IDE Integrated
16X MAX CD-ROM Drive 24X MAX CD-ROM Drive	Up to 3	1,2,3	IDE Integrated
8X PD-CD Drive	Up to 2	1,2,3	IDE Integrated
Ultra ATA Hard Drives			
2.4-GB Ultra ATA Hard Drive 3.2-GB Ultra ATA Hard Drive 4.3 GB Ultra ATA Hard Drive	Up to 4	1,2,3,5	Embedded Ultra ATA
SCSI Hard Drives			
2.1-GB UltraSCSI Hard Drive 4.2 GB UltraSCSI Hard Drive	Up to 4	1,2,3,5	PCI UltraSCSI Plug and Play SCSI (ISA)
Tape Drives			
TR4 4-GB IDE Tape Drive	Up to 3	1,2,3	Integrated IDE

TECHSPECS

Compaq Deskpro 4000
Series Minitowers

System Unit

Dimensions (HxWxD)	18.57 x 7.69 x 16.96 in/47.17 x 19.53 x 43.08 cm
Weight (approximate)	34.6 lbs/15.71 kg
Power Supply	
Operating Voltage Range	90 - 132 VAC/180 - 264 VAC
Rated Voltage Range	100 - 120 VAC/220 - 240 VAC
Rated Line Frequency	50 - 60 Hz
Rated Input Current	5A/3A
Maximum Rated Power	200 W (on Pentium with MMX models) 260 W (on Pentium II models)
Temperature	
Operating	50° to 95°F/10° to 35°C
Nonoperating	-4° to 140°F/-20° to 60°C
Humidity (noncondensing)	
Operating	8% to 90%
Nonoperating	5% to 95%
Maximum Altitude (unpressurized)	
Operating	10,000 ft/3048 m
Nonoperating	30,000 ft/9144 m

Compaq Enhanced Keyboard

Dimensions (HxWxD)	1.5 x 18.0 x 6.5 in/3.81 x 45.72 x 16.51 cm
Weight	3.5 lbs/1.59 kg

1.44-MB Diskette Drive

Diskette Size	3.5-in
LED Indicators	Green
Read/Write Capacity/Diskette (high/low density)	1.44 MB/720 KB
Drive Height	1 (in)
Drive Rotation	300 rpm
Transfer Rate (high/low density)	500/250 Kb/s
Bytes/Sector	512
Sectors/Track (high/low density)	18/9
Tracks/Side (high/low density)	80/80
Seek Time	
Track-to-Track (high/low density)	3/6 ms
Average (high/low)	94/173 ms
Settling Time	15 ms
Latency Average	100 ms
Cylinders (high/low)	80/80
Read/Write Heads	2

TECHSPECS (cont'd)

Ultra ATA Hard Drives

	3.2-GB
Formatted Capacity	3.228 MB
Drive Type	65 (soft)
Transfer Rate	
Media	87.8 Mb/s
Interface	33 MB/s
Seek Time (typical including settling)	
Single Track	3.0 ms
Average	10 ms
Full Stroke	20 ms
Disk Rotational Speed	5400 rpm
Cylinders	
Physical	7066
Logical	6256
Data Heads (Logical)	16
Sectors per Track	
Physical	154-277
Logical	63
Buffer Size	128 K

16X MAX CD-ROM Drive

Disk	
Applicable Disk	CD-ROM (Mode 1 and 2), CD-DA, CD-XA Ready, Photo CD (single and multi session), Mixed Mode (audio and data combined)
Capacity	540 MB (Mode 1, 12 cm) 640 MB (Mode 2, 12 cm)
Block Size	2048 bytes (Mode 1) 2340, 2336 bytes (Mode 2) 2352 bytes (CD-DA Mode) 2328 bytes (CD-XA Mode)
Rotational Speed	1840-4240 rpm
Diameter	4.7 in, 3.15 in/12 cm, (8 cm may require adapter)
Center Hole	.6 in/15 mm diameter
Thickness	.05 in/1.2 mm
Track Pitch	1.6 µm
Interface	IDE
Access Time (typical)	
Random	< 100 ms
Full Stroke	< 200 ms
Audio Output Level	
Line Out	0.7 VRMS at 47 kOhms
Headphone	0.6 VRMS at 32 Ohms (maximum volume)
Data Transfer Rate	
Sustained	150 kB/s
Variable (8x to 16x)	1200 to 2400 kB/s
Burst	4 MB/s
Cache Buffer	128 KB
Startup Time	Less than 7 seconds
Stop Time	Less than 4 seconds

TECHSPECS (cont'd)

16X MAX CD-ROM Drive
(cont'd)

Laser Parameters	
Type	Semiconductor Laser GaAIAs
Wave Length	780 ± 25 nm
Divergence Angle	53.5° ± 1.5°
Output Power	0.14 mW (at objective lens)
Operating Conditions	
Temperature	41-113° F/5-45° C
Humidity	10-80%
Dimensions (HxWxD)	1.69 x 5.91 x 8.2 in/15.0 x 4.29 x 20.8 cm
Weight	2.09 lbs/.95 kg

24X MAX CD-ROM Drive

Disk	
Applicable Disk	CD-ROM (Mode 1 and 2), CD-DA, CD-XA Ready Photo CD (single and multi session), Mixed Mode (audio and data combined), CD; Ready
Capacity	650 MB (mode 2, 12 cm), 540 MB mode 1, 12 cm)
Block Size	2048, bytes (Mode 1) 2040, 2336 bytes (Mode 2) 2352 bytes (CD-DA) 2328 bytes (CD-XA)
Rotational Speed	5200 rpm
Diameter	12 cm, 8 cm
Center Hole	N/A
Thickness	1.2 mm
Track Pitch	1.6 µm
Interface	IDE
Access Time (typical)	
Random	< 85 ms
Full Stroke	< 150 ms
Audio Output Level	
Line Out	700 MV (.7 Vrms)
Headphone	0.6 VRMS
Data Transfer Rate	
Sustained	150 KB/s
Burst	4.0 MB/s (variable)
Cache Buffer	128 KB
Startup Time (Single Session)	Less than 7 seconds
Stop Time	Less than 4 seconds
Laser Parameters	
Type	Semiconductor Laser GaAIAs
Wave Length	780 +/- 25 nm
Divergence Angle	53.5° +/- 1.5°
Output Power	0.14 mW (at objective lens)
Operating Conditions	
Temperature	41-113° F/5-45° C
Humidity	10-80%
Dimensions (HxWxD)	1.69 x 5.91 x 8.2 in/4.29 x 15.0 x 20.8 cm
Weight	2.65 lbs/1.2 kg

TECHSPECS (cont'd)

Compaq Netelligent
10/100 TX Embedded

UTP Controller

Network Interface	10/100 Base TX
Expansion Bus Architecture	32-Bit PCI bus-master
Network Transfer Rate	
10Base-T (Half-Duplex)	10 Mb/s
10Base-T (Full-Duplex)	20 Mb/s
100Base-TX (Half-Duplex)	100 Mb/s
100Base-TX (Full-Duplex)	200 Mb/s
Connectors	
Ethernet	RJ-45 and AUI
Standards Compliance	
Ethernet	IEEE 802.3
100 Mb/s Ethernet	IEEE 802.3
I/O Address	Auto-configured
Environmental Requirements	
Operating	10° to 35°C; 10% to 90% humidity (noncondensing); 3048 m altitude
Nonoperating	10° to 50°C; 5% to 90% humidity (noncondensing); 9144 altitude
Shipping	30° to 50°C; 20% to 80% humidity (noncondensing); 3084 m altitude
Communication Processor	Texas Instruments ThunderLAN 3.1
OS Driver Support	
MS Windows NT Server and Workstation v. 3.51	NDIS 3.0 Compliant
MS Windows NT Workstation 4.0	NDIS 4.0 Compliant
MS Windows 95 (OSRO)	NDIS 3.0 Compliant
MS Windows 95 (OSR2)	NDIS 4.0 Compliant
WFW v.3.11	NDIS 3.0 Compliant
MS LAN Manager	NDIS 2.0 Compliant
Novell NetWare Server v. 3.x, 4.x	ODI Compliant
Novell NetWare DOS	ODI Compliant
IBM OS/2 v. 3.x, 4.x, WARP, SMP	OS/2 NDIS 2.0 Compliant
IBM OS/2 NetWare Requestor v.2.x, 3.x	ODI compliant

S3 ViRGE/GX Enhanced
64-bit Graphics with 3D
Acceleration Card (PCI)

	2-MB SGRAM		4-MB SGRAM	
Resolution	Colors Supported	Refresh Rate	Colors Supported	Refresh Rate
640 x 480	16.7M (32 bpp)	85 Hz	16.7M (32 bpp)	85 Hz
800 x 600	65K (32 bpp)	85 Hz	16.7M (32 bpp)	85 Hz
1024 x 768	65K (16 bpp)	85 Hz	16.7M (24 bpp)	85 Hz
1280 x 1024	256 (8 bpp)	85 Hz	65K (16 bpp)	85 Hz
Acceleration	3D GUI, 170 MHz RAMDAC			
Memory	2-MB SGRAM, 75 MHz standard (2-MB SGRAM upgrade to total 4MB)			

TECHSPECS (cont'd)

**Matrox MGA 1064-SG
Performance Graphics**

	2-MB SGRAM Colors Supported	4-MB SGRAM Colors Supported	Refresh Rate
Resolution			
640 x 480	256, 65K, 16.7M	16.7M	85 Hz
800 x 600	256, 65K	16.7M	85 Hz
1024 x 768	256, 65K	16.7M	85 Hz
1280 x 1024	256	16.7M	85 Hz, 75 Hz
1600 x 1200	256	65K	75 Hz
Acceleration	2D GUI, 170 MHz RAMDAC		
Memory	2-MB SGRAM standard with 2 MB SGRAM option available (2 + 2 MB total)		

Compaq, QVision, LTE, CompaqCare, registered United States Patent and Trademark Office. Armada, ArmadaStation, MiniStation, LTE Elite, MultiLock, QuickBlank, QuickLock, are trademarks and /or service marks of Compaq Computer Corporation.

Novell and NetWare are registered trademarks of Novell, Inc. Microsoft, Windows, Windows NT and SQL Server are trademarks of Microsoft Corporation. IBM and OS/2 are registered trademarks of IBM Corporation. SCO is a registered trademark of the Santa Cruz Operation, Inc. UNIX is a registered trademark of the Open Group in the US and other countries, Inc. ORACLE is a registered trademark and ORACLE7 is a trademark of Oracle Corporation. Cheyenne and ARCserve are registered trademarks of Cheyenne Software, Inc. JETserve is a trademark of Cheyenne Software, Inc.

Other product names mentioned herein may be trademarks and/or registered trademarks of their respective companies.

©1997 Compaq Computer Corporation. All rights reserved. Printed in the U.S.A.